



Installation Instructions

FTS22198/FTS22199

2009-13 F-150 4wd

2.5" Dirt Logic Adjustable Coil Over for 6" System

PARTS LIST

Qty	Part Number	Description
2	FT825242	09 F-150 4x4 6" Unpkg
1	FTREGCARD	Reg. Card
1	FTAS16	Decal
1	FTAS12	Fabtech Sticker
1	FTLOCK	Thread Locking Compound
2	FT22198i	Instructions
1	FT83297	Hardware Subassembly

FT83297 – Hardware Subassembly

Qty	Part Number	Description
6	37000005052	Washer
6	37000005252	Lock Washer
6	37161001081	Hex Bolt
4	62000005081	Washer
2	62110003382	Nut
2	62114501081	Bolt
2	FT30112	Misalignment
2	FT83195	Isolator
2	FT83309	Misalignment
2	FT83310	Misalignment

TOOL LIST- (NOT INCLUDED)

- Assorted Metric & Standard Wrenches
- Torque Wrench
- Standard Allen Wrench Set

READ ALL INSTRUCTIONS THOROUGHLY FROM START TO FINISH BEFORE BEGINNING INSTALLATION! IF THESE INSTRUCTIONS ARE NOT PROPERLY FOLLOWED, SEVERE FRAME, DRIVELINE AND / OR SUSPENSION DAMAGE MAY RESULT.

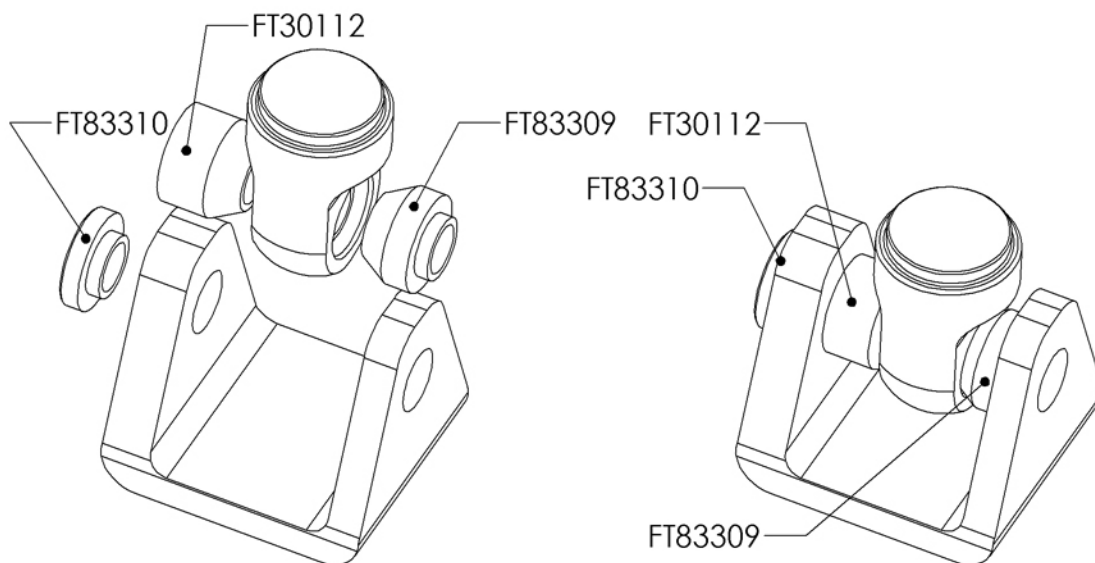
CHECK FOR FRAME AND SUSPENSION DAMAGE PRIOR TO INSTALLATION. THIS KIT DOES NOT REQUIRE WELDING FOR INSTALLATION. DO NOT WELD ANY OF THESE COMPONENTS. THE INSTALLATION OF THIS KIT SHOULD BE PERFORMED BY A PROFESSIONAL MECHANIC.

CHECK ALL PARTS INCLUDED IN THIS KIT TO THE PARTS LIST ABOVE BEFORE BEGINNING INSTALLATION OF THIS KIT. IF ANY PIECES ARE MISSING, CONTACT FABTECH AT 909-597-7800.

FINAL RIDE HEIGHT OF THE TRUCK SHOULD NOT EXCEED 6" OVER THE STOCK TRUCK RIDE HEIGHT. INCREASING THE RIDE HEIGHT OVER THE RECOMMEND HEIGHT CAN CAUSE SERIOUS SUSPENSION AND / OR CHASSIS DAMAGE.

INSTALLATION-

1. Working from the driver side of the truck, locate one of the supplied FT82524 adjustable coil over's, using the supplied 3/8" bolts and washers attach the upper mounting plate to the factory upper coil seat. Torque to 35 ft. lbs.
2. Locate one of each of the supplied FT30112 & FT83309 & FT83310 Mis-Alignments, and 5/8" bolt, nut, and washers. Attach the shock to the lower control arm as shown in the drawing below. The FT30112 is the wider Mis-alignment and should be installed on the side of the shock that faces the front of the truck. Torque to 100 ft. lbs. **SEE DRAWING BELOW.**
3. Repeat steps two and three on the passenger side of the truck.
4. Turn the wheels left to right and check for proper turning radius.
5. If adjustments to the ride height of your truck need to be made you will need to purchase spanner wrench part number FTS98008. Jack up the front end of the truck and support the frame rails with jack stands. **NEVER WORK UNDER AN UNSUPPORTED VEHICLE!** Loosen the locking Allen bolt on the spring collar and either tighten or loosen the collar using the spanner wrench. Make adjustments two turns per measurement. When adjusting the coil over you should use a thread lubricant on the threads on the shocks to make the adjustment easier. **NEVER ADJUST THE SPRING COLLAR WHILE THE TRUCK IS ON THE GROUND.**
6. Check the front-end alignment and set to the factory specifications. Re-adjust headlights.



RETORQUE ALL NUTS, BOLTS AND LUGS AFTER 50 MILES AND PERIODICALLY THEREAFTER.

For technical assistance call: 909-597-7800

Product Warranty and Warnings-

Fabtech provides a Limited Lifetime Warranty to the original retail purchaser who owns the vehicle, on which the product was originally installed, for defects in workmanship and materials.

The Limited Lifetime Warranty excludes the following Fabtech items; bushings, bump stops, ball joints, tie rod ends, limiting straps, cross shafts, heim joints. These parts are subject to wear and are not considered defective when worn. They are warranted for 60 days from the date of purchase for defects in workmanship.

Take a part shocks are considered a serviceable shock with a one year warranty on leakage only. Service seal kits are available separately for future maintenance. All other shocks are covered under our Limited Lifetime Warranty.

Fabtech does not warrant any product for finish, alterations, modifications and/or installation contrary to Fabtech's instructions. Alterations to the finish of the parts including but not limited to painting, powder coating, plating and/or welding will void all warranties. Some finish damage may occur to parts during shipping which is considered normal and is not covered under warranty.

Fabtech products are not designed nor intended to be installed on vehicles used in race applications or for racing purposes or for similar activities. (A "RACE" is defined as any contest between two or more vehicles, or any contest of one or more vehicle against the clock, whether or not such contest is for a prize). This warranty does not include coverage for police or taxi vehicles, race vehicles, or vehicles used for government or commercial purposes. Also excluded from this warranty are sales outside of the United States of America.

Installation of most suspension products will raise the center of gravity of the vehicle and will cause the vehicle to handle differently than stock. It may increase the vehicle's susceptibility to a rollover, on road and off road, at all speeds. Extreme care should be taken to operate the vehicle safely at all times to prevent rollover or loss of control resulting in serious injury or death. Fabtech front end Desert Guards may impair the deployment or operation of vehicles equipped with supplemental restraining systems/air bag systems and should not be installed if the vehicle is equipped as so.

Fabtech makes every effort to ensure suspension product compatibility with all vehicles listed in the catalog, but due to unknown auto manufacturer's production changes and/or inconsistencies by the auto manufacturer, Fabtech cannot be responsible for 100% compatibility, including the fitment of tire and wheel sizes listed. The Tire and Wheel sizes listed in Fabtech's catalog are only a guideline for street driving with noted fender trimming. Fabtech is not responsible for damages to the vehicle's body or tires.

Fabtech's obligation under this warranty is limited to the repair or replacement, at Fabtech option, of the defective product only. All costs of removal, installation or re-installation, freight charges, incidental or consequential damages are expressly excluded from this warranty. Fabtech is not responsible for damages and/or warranty of other vehicle parts related or non related to the installed Fabtech product. This warranty is expressly in lieu of all other warranties expressed or implied. This warranty shall not apply to any product that has been subject to accident, negligence, alteration, abuse or misuse as determined by Fabtech.

Fabtech suspension components must be installed as a complete system including shocks as shown in our current catalog. All warranties will become void if Fabtech parts are combined and/or substituted with other aftermarket suspension products. Combination and/or substitution of other aftermarket suspension parts may cause premature wear and/or product failure resulting in an accident causing injury or death. Fabtech does not warrant products not manufactured by Fabtech.

Installation of Fabtech product may void the vehicles factory warranty; it is the consumer's responsibility to check with their local vehicle's dealer for warranty disposition before the installation of the product.

It is the responsibility of the distributor and/or the retailer to review all warranties and warnings of Fabtech products with the consumer prior to purchase.

Fabtech reserves the right to supersede, discontinue, change the design, finish, part number and, or application of parts when deemed necessary without written notice. Fabtech is not responsible for misprints or typographical errors within the catalog or price sheet.