

MBRP®

315 Old Ferguson Road, Huntsville, ON. P1H 2J2

Phone (705) 788-2845 Fax (705) 788-3773

www.mbrp.com

Thank you for purchasing a quality MBRP Ltd. Performance Exhaust product.

This exhaust system has been designed, tested and built here at MBRP Ltd. ("MBRP"). It was produced to give years of trouble-free service as well as the added performance you have come to expect from MBRP. All exhaust systems pass through our quality control personnel before packaging. Your system has been packaged and is completely ready to install up on receipt. Thank you for choosing MBRP.

Important:

Installation of this product indicates that the buyer has read, understands and accepts the terms of the product warranty and liability disclaimer. MBRP, its distributors, jobbers, and dealers will in no way be responsible for the product's proper use and service.

The buyer hereby waives all liability claims. It is the buyer's responsibility to ensure that this product complies with any or all local, state or federal regulations regarding emissions and noise in the area intended for use.

The seller assumes no liability regarding the improper installation or misapplication of its products. It is the installer's responsibility to check for proper installation and if in doubt contact MBRP. Under no circumstances will the seller be liable for any damage or expense incurred in diagnosis for defects, removal, or reinstallation of this product or any other contingent expenses.

Please ensure that you have received all components as described / listed in the instructions provided. If any components are missing, it must be reported to the point of purchase within 24 hours of receipt of this merchandise. All damaged merchandise must be reported to the carrier immediately, within 24 hours upon receipt of the goods. You will be required to provide a claim report to the carrier prior to contacting your Customer Support within two days. MBRP will not be responsible for any claims after three days of receipt of goods.

Caution!! Never work on a hot exhaust system. Serious injury or burns can result from working with a hot exhaust system. Please allow the appropriate cooling time before beginning installation. MBRP recommends that all exhaust systems and accessories be installed by a trained automotive technician. Take all necessary precautions to ensure a safe installation using appropriate tools and personal protective equipment.

All warranty claims are to be handled directly with the manufacturer. Included with your MBRP performance exhaust product is a warranty card. Please read it carefully before you begin installation. If you have not received a warranty card with your purchase call 1-888-636-7223 or complete online at <https://store.mbrpautomotive.com/warranty/>. If you have any questions or concerns regarding the warranty of this product, please call and speak with one of our customer support representatives before installation of exhaust system.

MBRP reserves the right to change or update these policies at any time.

If the buyer does not agree with the terms listed above, the buyer may return the product in a new and unused condition, with a dated proof of purchase, to the original point of purchase within ten (10) days from the date of purchase for a refund. The installation of this product indicates that the buyer has read and understands this agreement and accepts its terms and conditions.

California Proposition 65 Information - For more information go to www.p65warnings.ca.gov

Stainless Steel



Chromium, Nickel

WARNING: This product can expose you to chemicals including nickel (metallic) and chromium (hexavalent compounds) which are known to the State of California to cause cancer and birth defects, or other reproductive harm

MBRP



Figure 7



Figure 8



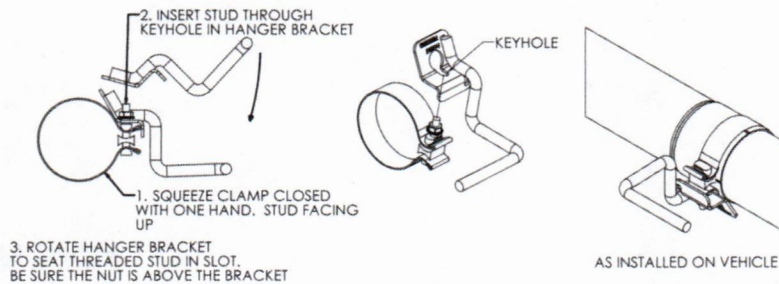
Figure 9



Figure 10



4. Install the **Hang Tight™ Hanger** onto a **3.0" Band Clamp** using the procedure shown below. (Hang Tight™ Hanger not exactly as shown)



5. Install the **Hang Tight™ Hanger Clamp Assembly** onto the **Extension Pipe** and into the factory isolator. (5.0L shown. On EcoBoost models, use the rear-most factory isolator)
Refer to Figure 6.

6. Install the **Muffler** onto **Extension Pipe** and lightly secure with the **Hang Tight™ Hanger Clamp Assembly**. Do not completely tighten at this time. (EcoBoost shown.)
Refer to Figure 7.

7. Place a **3" Clamp** over the **Muffler** outlet and insert the **Over Axle Pipe** into the factory isolator and **Muffler**.
Refer to Figure 8.

8. Install a **3" Clamp** and the **Tail Pipe** onto the **Over Axle Pipe** and into the factory isolator. Snug, but do not completely tighten the **3" Clamp**.
Refer to Figure 9.

9. Install the **Exhaust Tip** and adjust to your liking.
Refer to Figure 10.

10. Align the edge of each band clamp with the edge of the joint it is connecting. Tighten all hardware and clamps, starting at the front and working rearward to secure the system. Check along the full length of the exhaust system to ensure there is adequate clearance for fuel lines, vent lines, brake lines, frame, bodywork, suspension, and any wiring, etc. If there is any interference detected, relocate, or adjust to provide adequate clearance. Ensure all clamp connections are secure and components are unable to rotate or slide. Band clamps require approximately 45 lb-ft (60 N-m) of torque. Verify clearances, system security and band clamp torque after 30-60 miles (50-100 km) of driving.

Congratulations! You are ready to begin experiencing the improved power, sound and driving experience of your **MBRP** performance exhaust system. We know you will enjoy your purchase.

MBRP

Removal of Stock System:

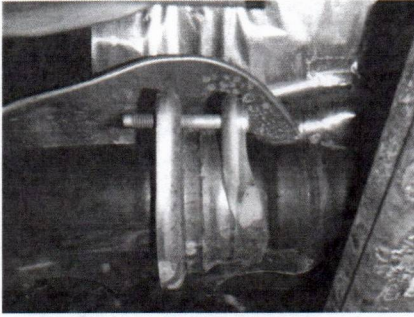


Figure 1

1. Apply a penetrating lubricant liberally to all hangers and rubber isolators.
2. Loosen the factory clamp in front of the muffer.
3. Loosen the factory extension pipe flange bolts.

Refer to Figure 1.

4. Rotate the factory extension pipe to release the factory muffer inlet locking boss.

Refer to Figure 2

5. Remove the factory muffer assembly from the hangers and remove from the vehicle
6. Remove the factory extension pipe bolts and remove the factory extension pipe from the vehicle. Retain the factory bolts for the installation.

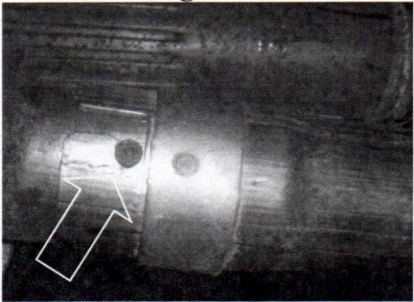


Figure 2

Installation of MBRP Performance Exhaust:

1. Determine the length of the **Extension Pipe** (if required).

Refer to Figure 3.

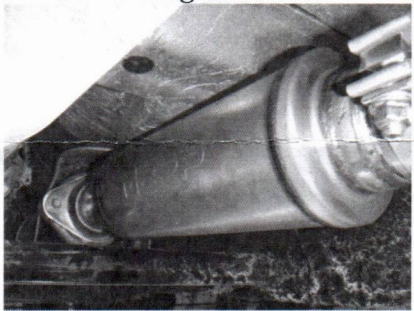
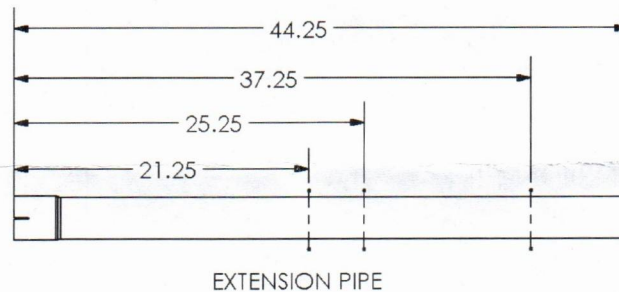


Figure 4

WHEELBASE	EXTENSION PIPE LENGTH
122" RC 6.5' BOX	NONE
141" RC 8' BOX	21.25"
145" EC 6.5' BOX/ SC 5.5' BOX	25.25"
157" SC 6.5' BOX	37.25"
164" EC 8' BOX	44.25" (NO CUT)

Figure 3.



Figure 5

2. Loosely install the **Front Resonator**, or **Front Pipe and Flange**, using the factory bolts and the supplied 3/8" Flat Washers.

It is recommended to use the **Front Resonator** on the 5.0L engine, or for a more aggressive sound, use the **Front Pipe**. The **Front Pipe** is recommended for EcoBoost engines, but the **Front Resonator** can provide a more subtle sound.

Refer to Figure 4.



Figure 6

3. Install the appropriate length **Extension Pipe** (if required) onto the front pipe using a **3" Clamp**.

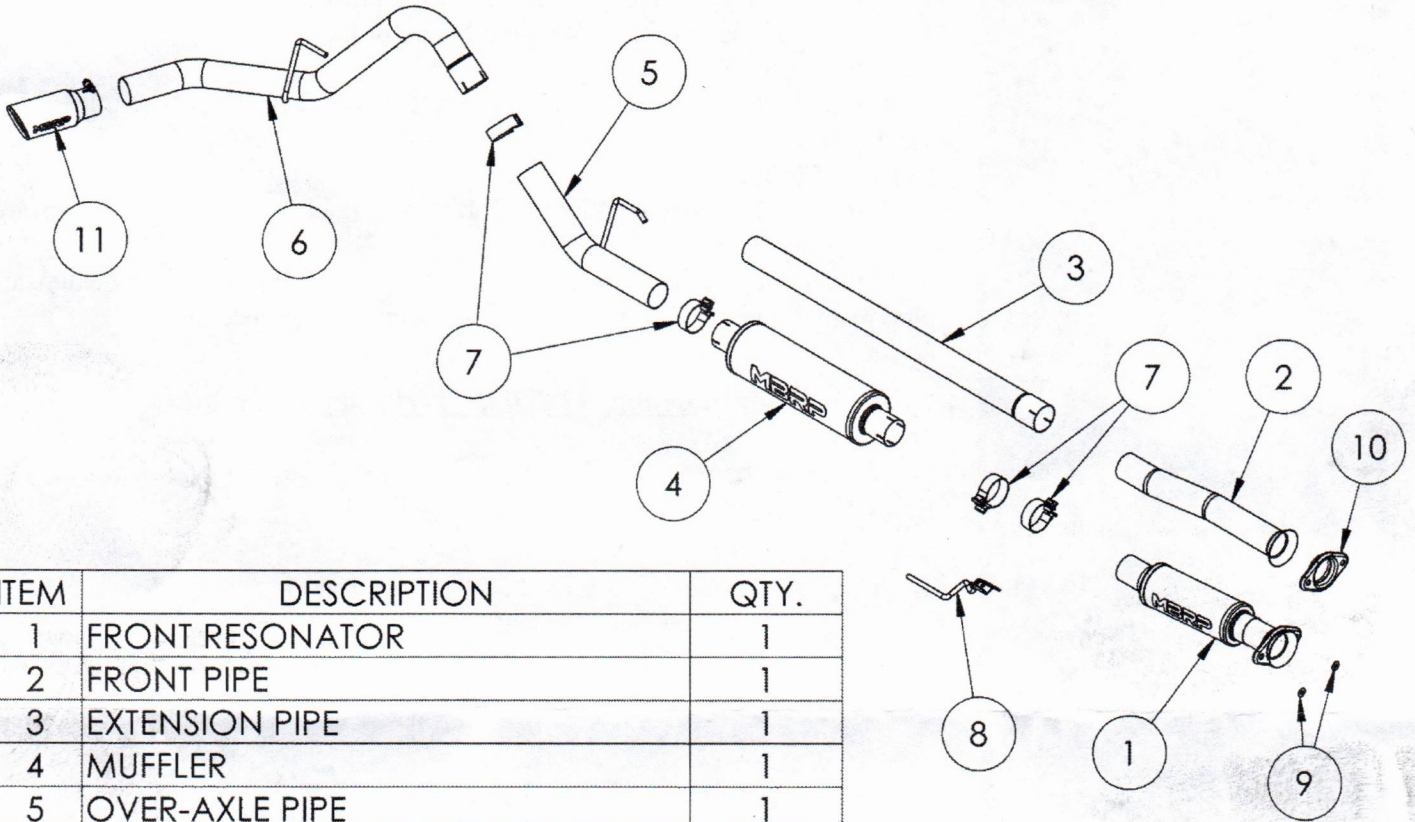
Refer to Figure 5.

S5211

2021-UP FORD F150,
5.0L, 3.5L ECOBOOST, 2.7L ECOBOOST
EXCL. POWERBOOST, CAT-BACK, 3.0"
SINGLE SIDE

MBRP

125-3241410



ITEM	DESCRIPTION	QTY.
1	FRONT RESONATOR	1
2	FRONT PIPE	1
3	EXTENSION PIPE	1
4	MUFFLER	1
5	OVER-AXLE PIPE	1
6	TAIL PIPE	1
7	3.0" CLAMP	4
8	HANG TIGHT™ HANGER	1
9	3/8" FLAT WASHER	2
10	FLANGE	1
11	EXHAUST TIP	1

PLEASE READ BEFORE STARTING INSTALLATION

While MBRP has made every effort to ensure that all components of this system are of superior quality and properly packaged, it is the installer's responsibility to ensure the following before removal of the factory exhaust:

- that ALL components shown above are present.
- that ALL mating components fit together.
- that there are no damaged components.
- that the system you have purchased is appropriate for your vehicle year, model and configuration.
- that the system will not interfere with any modifications previously installed or planned.
- that you have read and understand these instructions.

If you have any questions or are uncertain about any aspect of the installation of this system to your vehicle please contact your dealer before commencing installation.