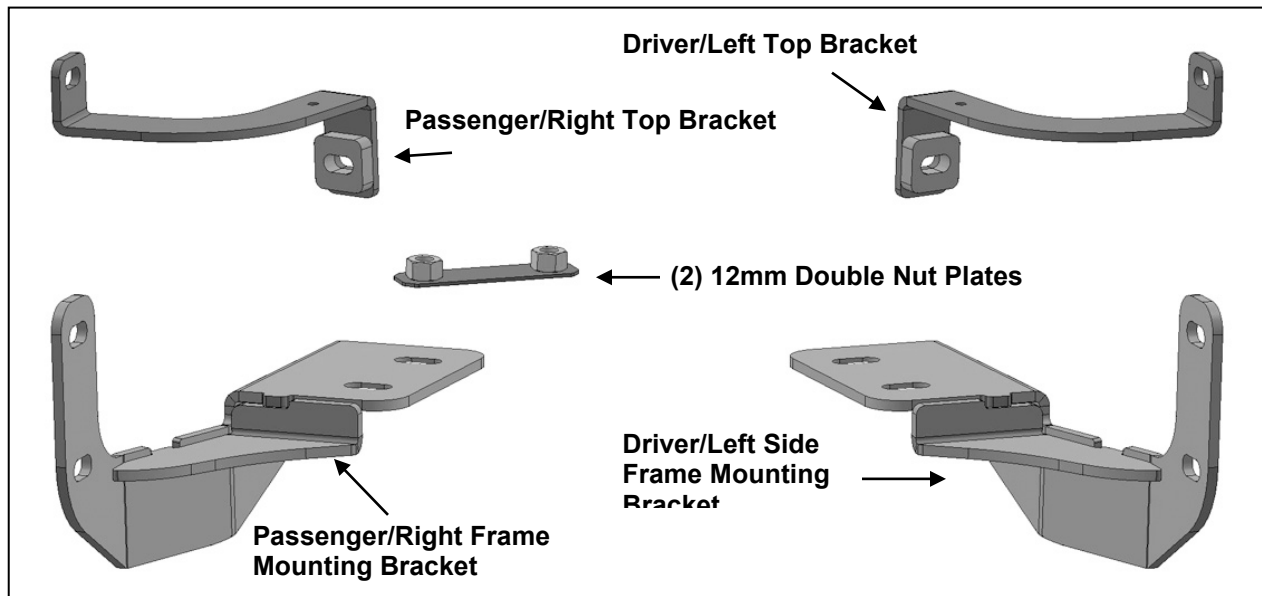


**PARTS LIST:**

1	Grille Guard	4	10-1.5mm x 30mm Hex Bolts
1	Driver/left Frame Bracket	8	10mm x 24mm OD x 2.2mm Flat Washers
1	Passenger/right Frame Bracket	4	10-1.5mm Nylon Locknuts
1	Driver/left Top Bracket	2	8-1.25mm x 50mm Hex Bolts
1	Passenger/right Top Bracket	2	8-1.25mm x 30mm Hex Bolts
2	12-1.75mm Double Nut Plates	6	8mm x 22mm OD x 2mm Flat Washers
4	12-1.75 x 35mm Hex Bolts	2	8mm Lock Washers
4	12 x 32mm OD x 3mm Flat Washers	2	8-1.25mm Nylon Lock Nuts
4	12mm Lock Washers		



**PROCEDURE:**

**REMOVE CONTENTS FROM BOX. VERIFY ALL PARTS ARE PRESENT. READ INSTRUCTIONS CAREFULLY BEFORE STARTING INSTALLATION. ASSISTANCE IS RECOMMENDED.**

1. Temporarily remove the front license plate.
2. From under the front bumper, remove the plastic active air dam from behind the front bumper if equipped, **(Figure 1)**. Only remove the air dam, do not remove the motor assemblies, **(Figure 2)**.
3. Disconnect wire harnesses leading to the front bumper, (fog lights and sensors for example, **Figure 3**).
4. From behind the bumper, remove the (3) large factory hex nuts attaching the bumper to each bumper bracket, **(Figure 4)**. Move bumper to a clean, soft surface. **IMPORTANT:** Assistance is required to hold bumper in place as hardware is removed.
5. Remove the hex bolt from the bumper support on the back of the bumper, **(Figure 5)**. Select the driver/left side Top Bracket, **(Figure 6)**. Slightly loosen but do not remove the outer bolt on the end of the support.
6. Slide the Top Bracket between the support and the back of the bumper. Attach the Top Bracket to the support bracket and bumper with the included (1) 8mm x 50mm Hex Bolt, (1) 8mm Lock Washer and (1) 8mm Flat washer, **(Figure 6)**. With Bracket mounting plate straight up and down, fully tighten the Hex Bolt.
7. Repeat **Steps 5 & 6** to install the passenger/right side Top Bracket.
8. Remove both tow hooks and plastic trim from the end of the frame. Select the driver/left side Top Bracket, **(Figure 8)**. **NOTE:** Plastic trim must be cut to clear Bracket to be reinstalled or simply remove.

**Models without tow hooks:**

- a. Insert (1) 12mm Double Nut Plate into the end of the driver/left side of the frame, **(Figures 8 & 9)**. Line up the Nut Plate with the holes in the bottom of the frame, **(Figure 8)**.
- b. Insert the included (2) 12mm x 35mm Hex Bolts, (2) 12mm Lock Washers and (2) 12mm Flat Washers up through the frame and into the Nut Plate to hold the Nut Plate in the correct

position, (**Figures 8 & 11**). Leave hardware loose at this time. Repeat the previous **Steps** for the passenger/right side Double Nut Plate installation.

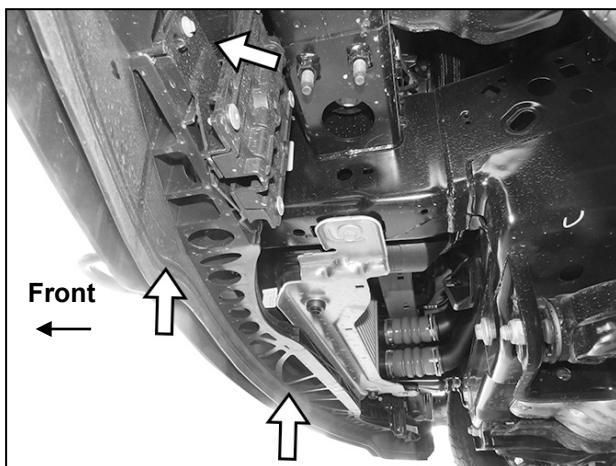
- c. Remove the plastic covers from the driver and passenger side lower openings in the bottom of the bumper, (**Figure 10**).
9. Reinstall the bumper assembly.
10. Select the driver/left Frame Mounting Bracket, (**Figure 11**). Insert the Bracket through the opening in the bumper.  
**Models with tow hooks**, insert the Bracket between the tow hook and the frame. Reattach the tow hook over the Bracket with the factory bolts. Leave hardware loose.  
**Models without tow hooks**, attach the Bracket to the bottom of the frame and Nut Plate with the (2) 12mm x 35mm Hex Bolts, (2) 12mm Lock Washers and (2) 12mm Flat Washers, (**Figures 11 & 12**). Leave hardware loose at this time.
11. Repeat appropriate previous **Step** for passenger/right side Frame Bracket installation Select the driver/left side Top Bracket, (**Figure 13**).
12. With assistance, place the Grille Guard up to the outside of the Brackets. Attach the Grille Guard to the Frame Brackets with (4) 10mm x 30mm Hex Bolts, (8) 10mm Flat Washers and (4) 10mm Nylon Lock Nuts, (**Figure 14**). Snug but do not tighten hardware at this time.
13. Line up the driver/left Top Bracket with the hole in the upright on the Grille Guard. Attach the Bracket to the Grille Guard with (1) 8mm x 30mm Hex Bolt, (2) 8mm Flat Washers, (1) 8mm Nylon Lock Nut, (**Figure 14**). Repeat to attach the passenger side Top Bracket to the Grille Guard.
14. Center the Grille Guard on the vehicle. Once properly adjusted, fully tighten all hardware and reinstall license plate.
15. Do periodic inspections to the installation to make sure that all hardware is secure and tight.

**To protect your investment**, wax this product after installing. Regular waxing is recommended to add a protective layer over the finish. Do not use any type of polish or wax that may contain abrasives that could damage the finish.

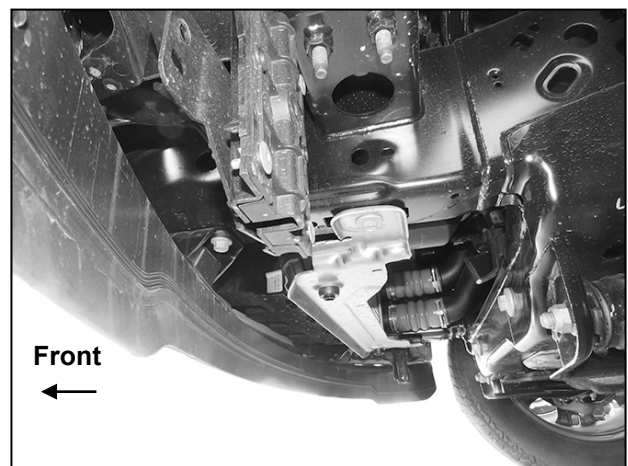
**For stainless steel:** Aluminum polish may be used to polish small scratches and scuffs on the finish. Mild soap may be used also to clean the Grille Guard.

**For gloss black finishes:** Mild soap may be used to clean the Grille Guard.

### Driver Side Installation Pictured



(Fig 1) Remove active air dam from back of bumper (arrows)

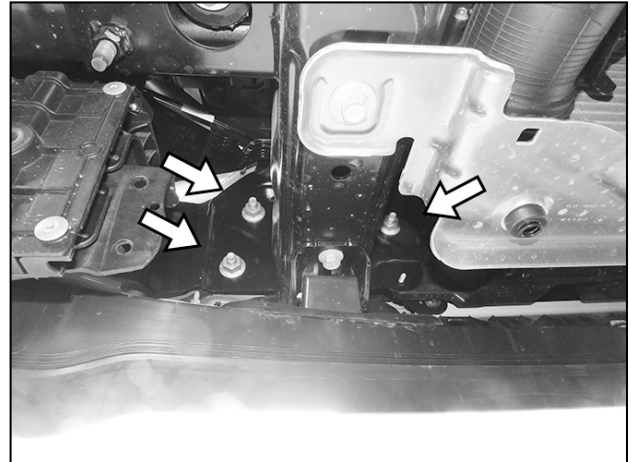


(Fig 2) Active air dam removed

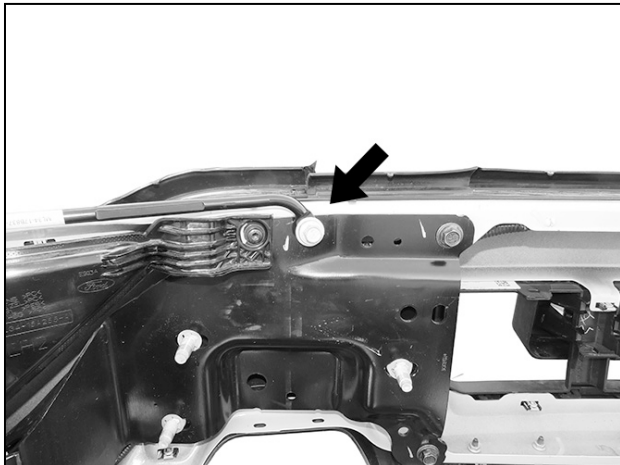
### Driver Side Installation Pictured



(Fig 3) Unplug all wiring harnesses leading to the front bumper (arrow)

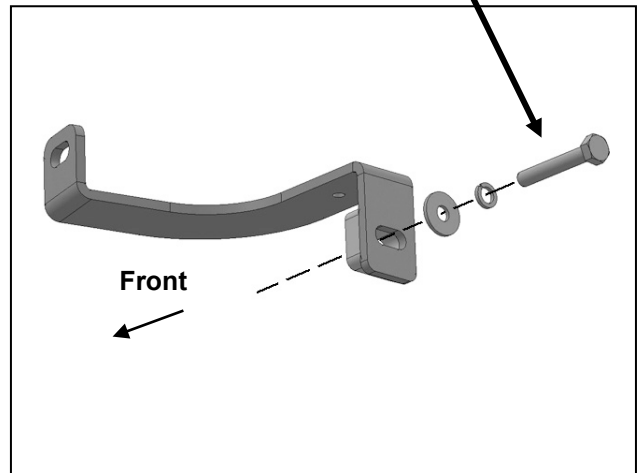


(Fig 4) Remove hex nuts from back of driver/left bumper bracket to remove bumper (arrows)



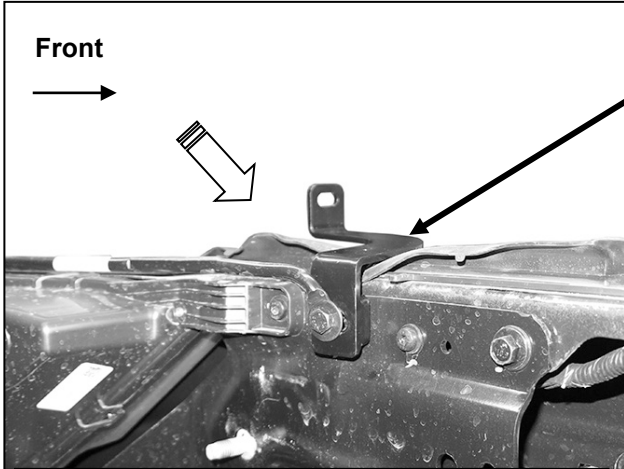
(Fig 5) Remove inner hex bolt from support bracket on the back of driver/left bumper bracket (arrow). Loosen but do not remove outer hex bolt attaching support bracket

8mm x 50mm Hex Bolt  
 8mm Lock Washer  
 8mm Flat Washer



(Fig 6) Insert driver/left Top Bracket between support bracket and back of bumper bracket

### Driver Side Installation Pictured



8mm x 50mm Hex Bolt  
 8mm Lock Washer  
 8mm Flat Washer

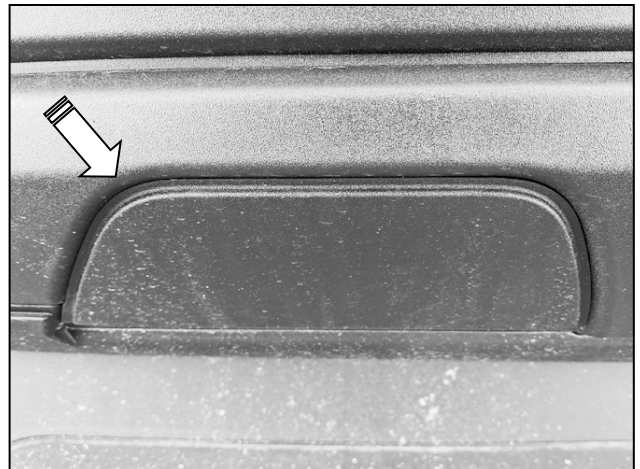
**(Fig 7) Insert driver/left Top Bracket between support bracket and back of bumper bracket**



**(Fig 8) Temporarily remove tow hooks if equipped**

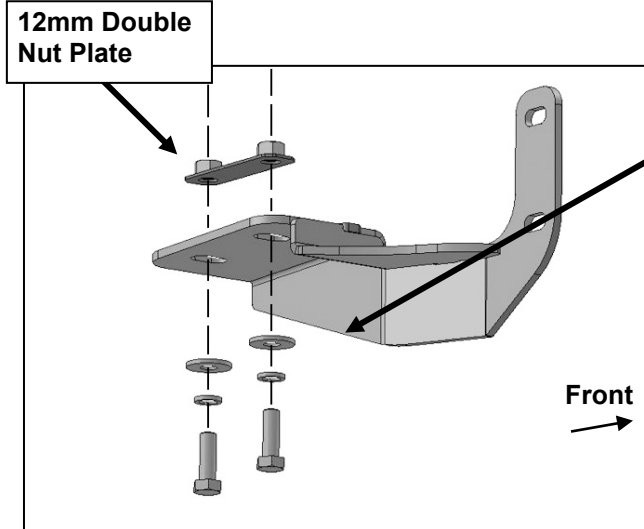


**(Fig 9) Models without tow hooks, insert Double Nut Plates into end of frame (see Fig 8)**



**(Fig 10) On models without tow hooks, release clips and remove plastic covers**

### Driver Side Installation Pictured



Models without tow hooks, use:  
 (2) 12mm x 35mm Hex Bolts  
 (2) 12mm Lock Washers  
 (2) 12mm Flat Washers

(Fig 11) Attach Frame Bracket to bottom of frame and Nut Plate. Models with tow hooks, attach Frame Bracket between tow hook and frame

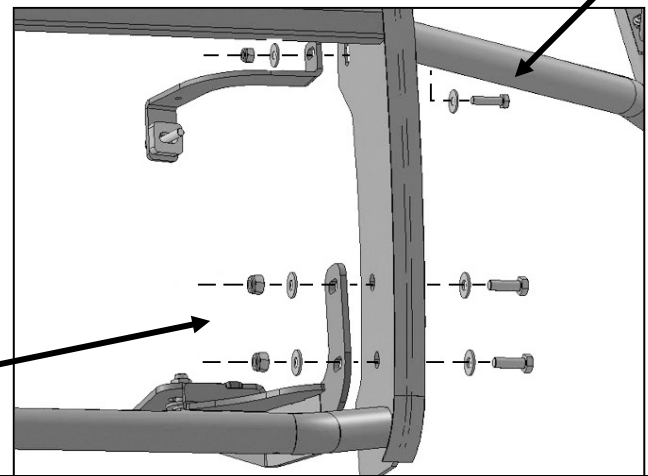


(Fig 12) Driver/left side Frame Bracket installed without tow hook



(Fig 13) Brackets installed

8mm x 30mm Hex Bolt  
 (2) 8mm Flat Washers  
 8mm Nylon Lock Nut



(2) 10mm x 30mm Hex Bolts  
 (4) 10mm Flat Washers  
 (2) 10mm Nylon Lock Nuts

(Fig 14) Attach Grille Guard to outside of Brackets