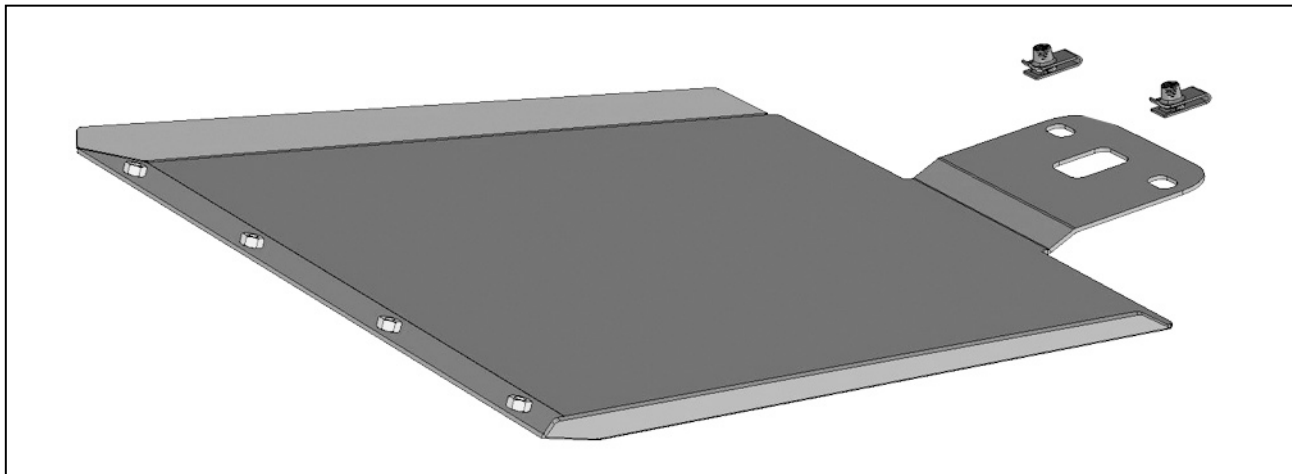


PARTS LIST:

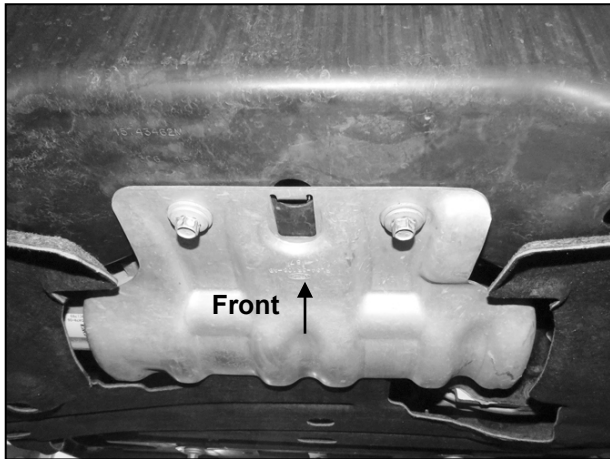
1	Skid Plate	4	8-1.25mm x 25mm Button Head Bolts
2	10mm U-Clips	4	8mm x 24mm x 2mm Flat Washers
2	10-1.5mm x 25mm Button Head Bolts	4	8mm Lock Washers
2	10mm x 34mm x 3mm Flat Washers	1	5mm Wrench
2	10mm Lock Washers		



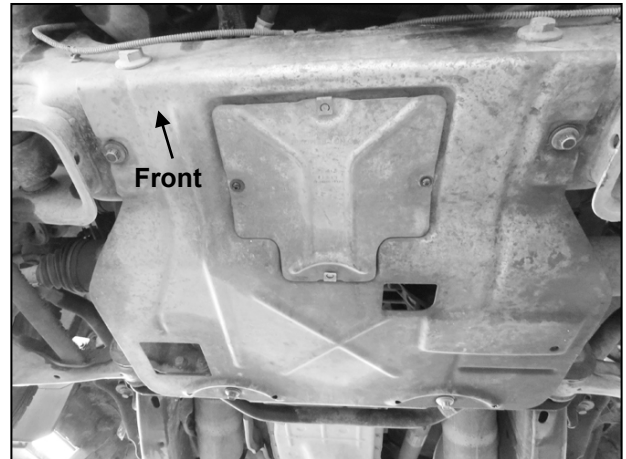
PROCEDURE: REMOVE CONTENTS FROM BOX. VERIFY ALL PARTS ARE PRESENT. READ INSTRUCTIONS CAREFULLY BEFORE STARTING INSTALLATION.

1. Once the LD2 Front Bumper has been installed and aligned, determine style of factory skid plate:
 - Models with a small standard skid plate (Fig 1):**
 - a. Remove the factory skid plate, (Figures 1 & 4). Skip to **Step 2**.
 - Models with large off-road skid plate (Fig 2):**
 - b. Remove the factory skid plate, (Figures 2 & 3).
 - c. Locate the mounting location on the bottom of the crossmember, (Figure 3).
 - d. Slide (1) 10mm U-Clip into the rectangular opening with the nut up towards the inside, (Figure 4). Line up the threaded nut on the Clip with the round hole.
 - e. Repeat to install the 2nd 10mm Clip Nut in the remaining location, (Figure 4).
2. With assistance, place the Skid Plate up to the back of the Bumper. Attach the Skid Plate to the back of the Bumper with the included (4) 8mm Button Head Bolts, (4) 8mm Lock Washers and (4) 8mm x 24mm Flat Washers, (Figure 5). Leave hardware loose at this time.
3. Hold the rear of the Skid Plate up to the crossmember.
 - Models with a small standard skid plate (Fig 1):**
 - a. With assistance, hold the LD2 Skid Plate up to the crossmember.
 - b. Reuse the (2) factory bolts to attach the Skid Plate between the factory skid plate and the crossmember, (Figure 6).
 - c. Adjust Skid Plate as necessary and tighten all hardware at this time.
 - Models with large off-road skid plate (Fig 2):**
 - a. Attach the LD2 Skid Plate to the (2) Clip Nuts with the included (2) 10mm Button Head Bolts, (2) 10mm Lock Washers and (2) 10mm x 34mm Large Flat Washers, (Figures 6 & 7).
 - b. Adjust Skid Plate as necessary and tighten all hardware.
 - c. Reinstall the factory off-road skid plate over the LD2 Skid Plate and fully tighten all hardware, (Figure 8).
5. Do periodic inspections to the installation to make sure that all hardware is secure and tight.

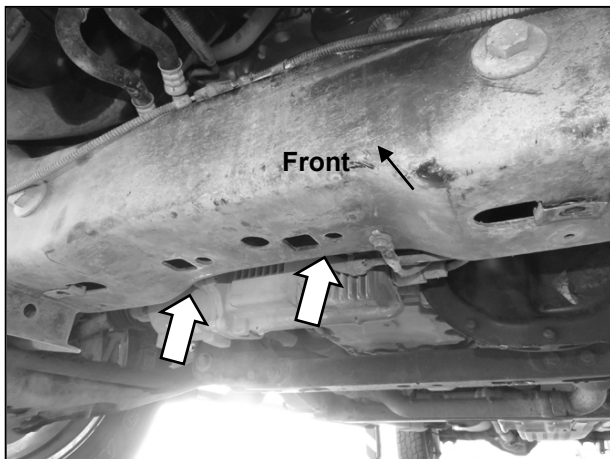
To protect your investment, Do not use any type of polish or wax that may contain abrasives that could damage the finish. Mild soap may be used to clean the Skid Plate.



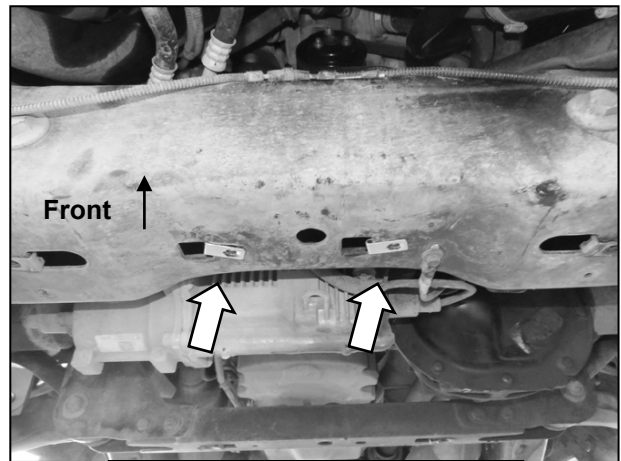
(Fig 1) Example of factory skid plate



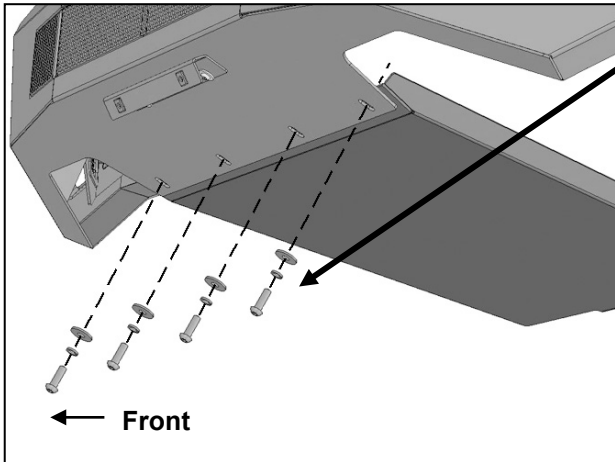
(Fig 2) Example of larger "off road" skid plate



(Fig 3) Rear Skid Plate mounting location on crossmember under "off road" skid plate



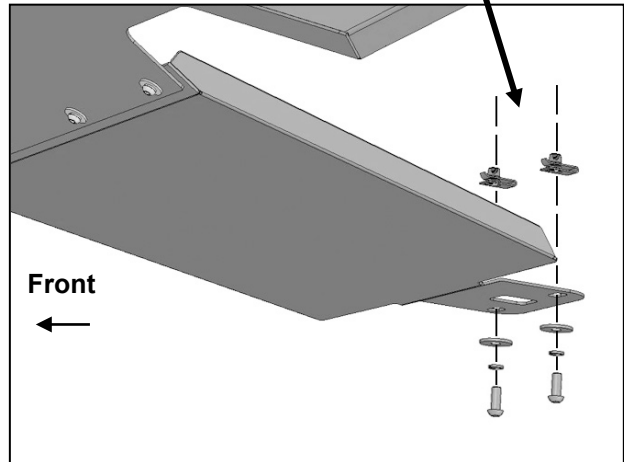
(Fig 4) Insert (2) 10mm U-Clips into mounting holes



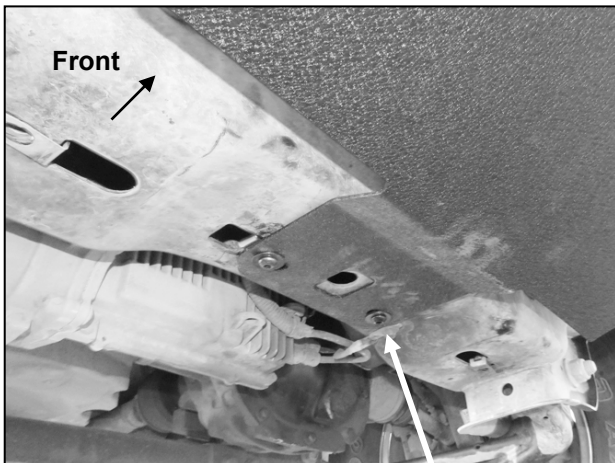
- (4) 8mm Button Head Bolts
- (4) 8mm Lock Washers
- (4) 8mm Flat Washers

(Fig 5) Attach Skid Plate to the top of the back of the Bumper

- (2) 10mm Clip Nuts
- (2) 10mm Button Head Bolts
- (2) 10mm Lock Washers
- (2) 10mm Flat Washers



(Fig 6) Models with small factory skid plate, (Fig 1), insert LD2 Skid Plate between factory skid plate and crossmember. Reuse factory hardware or the included hardware.



(Fig 7) Models with large "off road" factory skid plate, (Fig 2), attach LD2 Skid Plate to 10mm Clip Nuts in crossmember, (Fig 6).



(Fig 8) Reinstall factory skid plates over LD2 Skid Plate. Large factory "off road" skid plate over LD2 Skid Plate pictured.