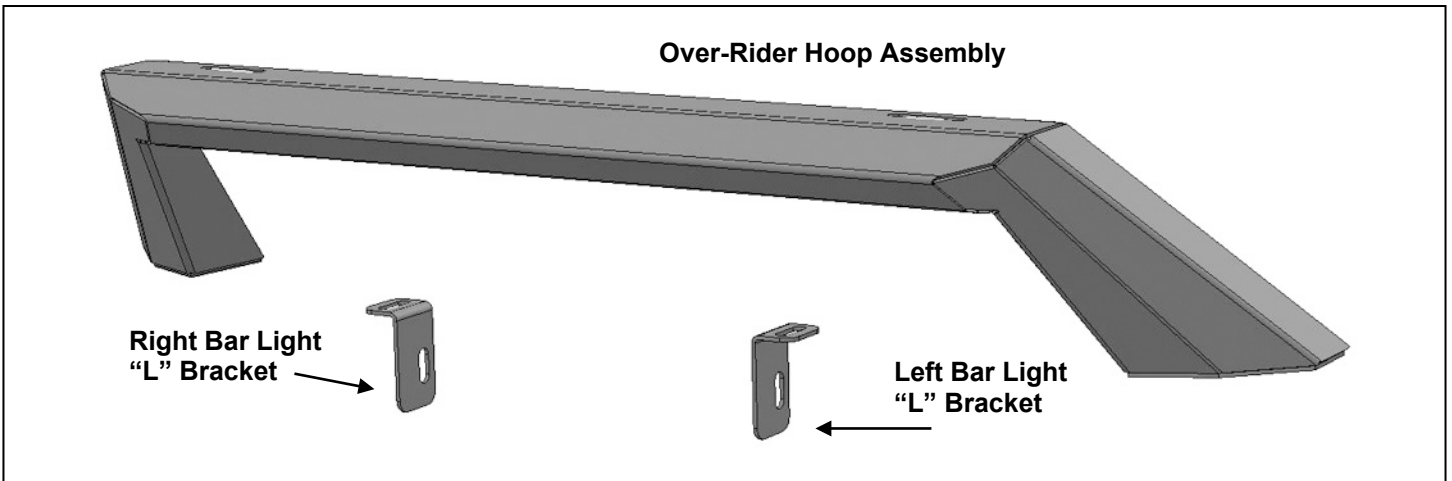


INSTALLATION INSTRUCTIONS

OVER-RIDER HOOP FOR EXTREME HD MODULAR FRONT BUMPER

1	Over-Rider Hoop Assembly	2	8-1.25mm x 16mm Hex Bolts
1	Driver/left "L" Light Bar Bracket	14	8mm x 24mm x 2mm Flat Washers
1	Passenger/right "L" Light Bar Bracket	8	8mm Lock Washer
4	8-1.25mm x 25mm Button Head Bolts	6	8mm Hex Nut
2	8-1.25mm x 25mm Hex Bolts	1	5mm Wrench

PARTS LIST:



OVER-RIDER HOOP FOR EXTREME HD MODULAR FRONT BUMPER
SKU # T559788

PROCEDURE:

REMOVE CONTENTS FROM BOX. VERIFY ALL PARTS ARE PRESENT. READ INSTRUCTIONS CAREFULLY BEFORE STARTING INSTALLATION. ASSISTANCE IS RECOMMENDED.

1. Remove the (4) rubber plugs from the top of the Bumper, **(Figure 1)**.
2. Carefully unwrap the Over-Rider Hoop assembly. Attach Over-Rider Hoop assembly to top of Bumper with the included (4) 8mm x 25mm Button Head Bolts, (8) 8mm Flat Washers, (4) 8mm Lock Washers and (4) 8mm Hex Nuts, **(Figure 1)**. **IMPORTANT:** It may be easier to attach Over-Rider Hoop assembly to the Bumper before installing Bumper. Check alignment and fully tighten hardware.
3. Determine if accessory lights, (not included), will be installed at this time. **NOTE:** Over-Rider Hoop assembly is designed to be compatible with most 20" Bar Style LED lights, individual cube lights or any individual accessory light with a maximum of 8mm or 5/16" mounting hardware. Modifying the Over-Rider Hoop assembly for hardware larger than 8mm (5/16") will damage the finish and is not recommended.

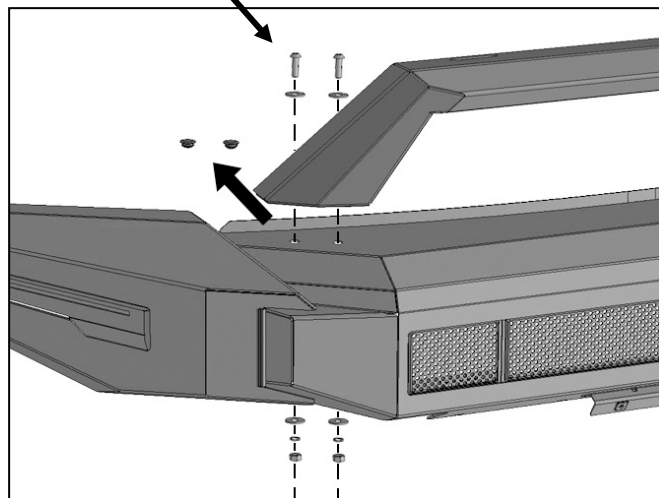
20" LED bar style light installation (20" light not included).

- a. Select the driver/left "L" Light Bar Bracket, **(Figure 2)**. **NOTE:** "L" Brackets are offset to adjust for different widths of LED Bar Lights and can be installed on either side as needed.
 - b. Attach the L Bracket to the slot on the back of the Over-Rider Hoop assembly with (1) 8mm x 25mm Hex Bolt, (2) 8mm Flat Washers, (1) 8mm Lock Washer and (1) 8mm Hex Nut, **(Figure 2)**. Repeat this Step to install the remaining "L" Bracket. **IMPORTANT:** The Over-Rider Hoop assembly features slots designed for top or hanging light installation.
 - c. Attach the light to the "L" Brackets with the included (2) 8mm x 16mm Hex Bolts, (2) 8mm Lock Washers and (2) 8mm Flat Washers or use the hardware included with the light, **(Figures 2 & 3)**. Do not fully tighten hardware at this time.
4. Do periodic inspections to the installation to make sure that all hardware is secure and tight.

To protect your investment: Do not use any type of polish or wax that may contain abrasives that could damage the finish. Mild soap may be used to clean the over-rider hoop assembly.

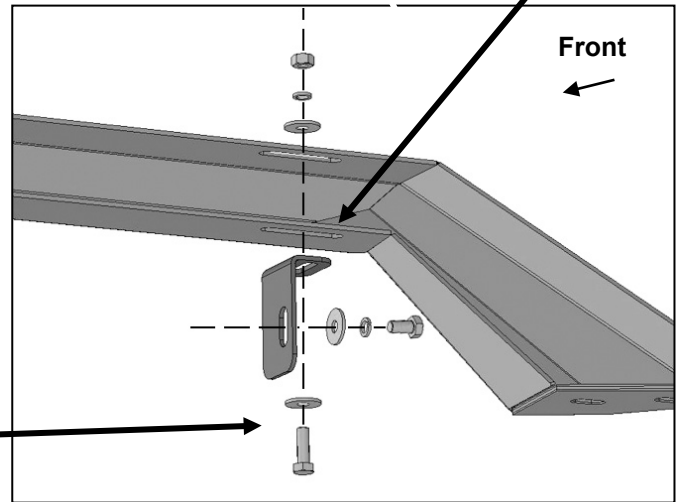
(Fig 1) Remove rubber plugs to attach Over-Rider Hoop assembly to top of Bumper

(4) 8mm x 25mm Button Head Bolts
(8) 8mm Flat Washers
(4) 8mm Lock Washers
(4) 8mm Hex Nuts



**OVER-RIDER HOOP FOR EXTREME HD MODULAR FRONT BUMPER
SKU # T559788**

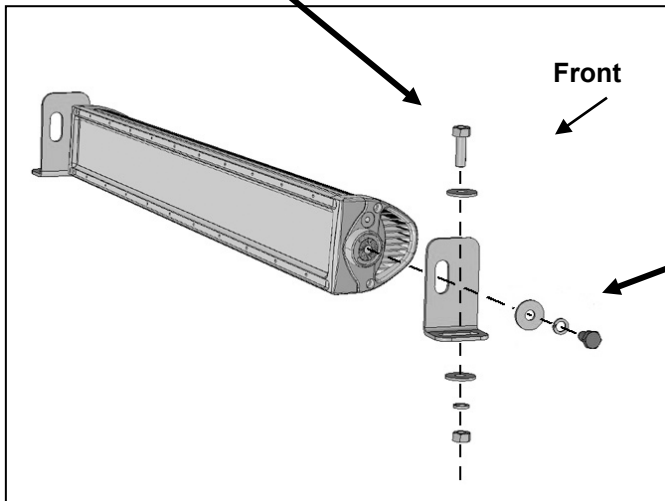
Attach light to Brackets with hardware included with light bar or the included:
(2) 8mm x 16mm Hex bolts
(2) 8mm Lock Washers
(2) 8mm Flat Washers



8mm x 25mm Hex Bolt
(2) 8mm Flat Washers
8mm Lock Washer
8mm Hex Nut

(Fig 2) Attach "L" Brackets to top or bottom of Over-Rider Hoop assembly

8mm x 25mm Hex Bolt
(2) 8mm Flat Washers
8mm Lock Washer
8mm Hex Nut



Attach light to Brackets with hardware included with light bar or the included:
(2) 8mm x 16mm Hex bolts
(2) 8mm Lock Washers
(2) 8mm Flat Washers

(Fig 3) Attach bar style light to "L" Brackets. Note "L" Brackets can be installed to top as illustrated or hang from bottom of Over-Rider Hoop assembly (see Figure 2)