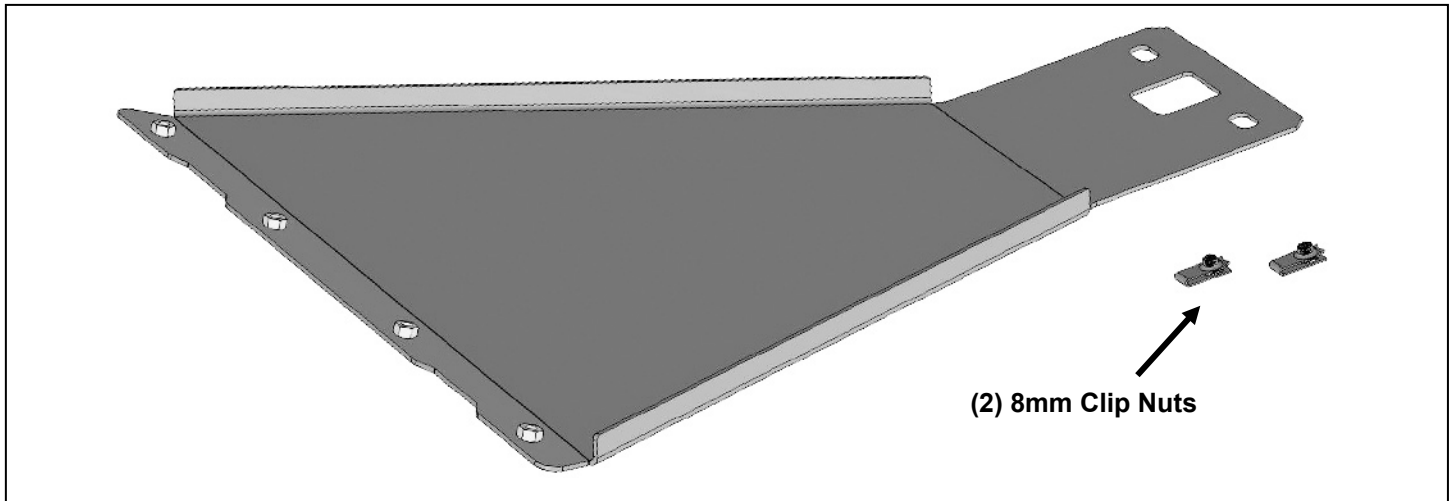


**SKID PLATE FOR EXTREME HD MODULAR FRONT BUMPER – SKU # T559791
2021+ FORD F150**

PARTS LIST:

1	Skid Plate	2	8mm x 28mm x 3mm Large Flat Washers
2	8mm U-Clips	4	8mm x 24mm x 2mm STD Flat Washers
6	8-1.25mm x 25mm Button Head Bolts	1	5mm Allen Wrench
6	8mm Lock Washers		

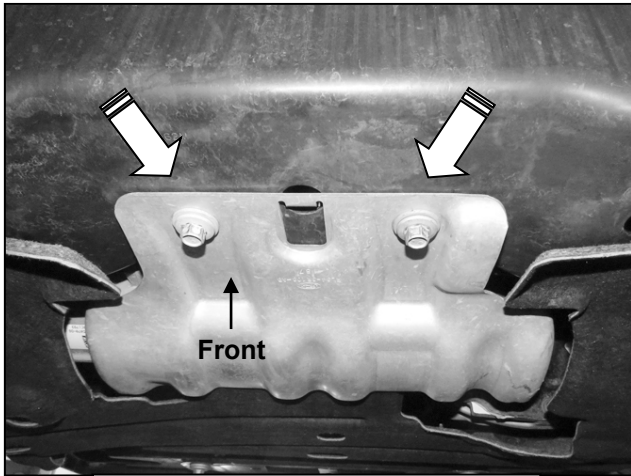


PROCEDURE: REMOVE CONTENTS FROM BOX. VERIFY ALL PARTS ARE PRESENT. READ INSTRUCTIONS CAREFULLY BEFORE STARTING INSTALLATION.

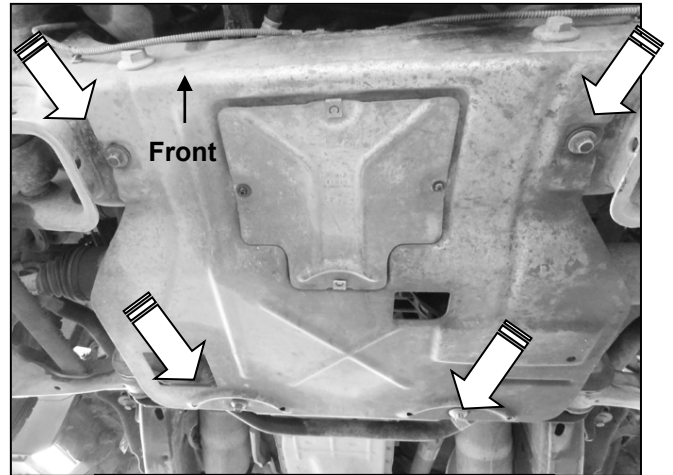
1. Once the Front Bumper has been installed, remove all the bolts attaching the factory skid plate to the vehicle, **(Figures 1 & 2)**.
2. With assistance, place the Skid Plate up to the back of the Bumper. Attach the Skid Plate to the back of the Bumper with the included (4) 8mm Button Head Bolts, (4) 8mm Lock Washers and (4) 8mm x 24mm STD Flat Washers, **(Figures 3 & 4)**. Leave hardware loose at this time.
3. **On models with a standard skid plate (Fig 1):**
 - a. With assistance, place rear mounting tab on the Skid Plate in between the factory skid plate and crossmember.
 - b. Reuse the (2) factory bolts to attach the Skid Plate to factory skid plate and the crossmember, **(Figures 5—7)**. **NOTE:** If the hardware is not reusable, use the included 8mm Clip Nuts and hardware as described in **Step 4, (Figure 5)**.
 - c. Adjust Skid Plate as necessary and tighten hardware at this time.
4. **On models with an off-road skid plate (Fig 2):**
 - a. Locate the rear skid plate mounting location, **(Figure 5)**.
 - b. Slide (1) 8mm U-Clip into the rectangular opening with the nut towards the inside of the frame, **(Figure 5)**. Line up the threaded nut on the Clip with the round hole. Repeat to install the 2nd 8mm Clip Nut in the remaining round hole location.
 - c. Attach the rear mount on the Skid Plate to the (2) Clip Nuts using (2) 8mm Button Head Bolts, (2) 8mm Lock Washers and (2) 8mm x 28mm Large Flat Washers, **(Figures 6 & 8)**.
 - d. Adjust Skid Plate as necessary and tighten hardware at this time.
 - e. Reinstall the factory off-road skid plate and tighten hardware, **(Figure 8)**.
5. Do periodic inspections to the installation to make sure that all hardware is secure and tight.

To protect your investment: Do not use any type of polish or wax that may contain abrasives that could damage the finish. Mild soap may be used to clean the Skid Plate.

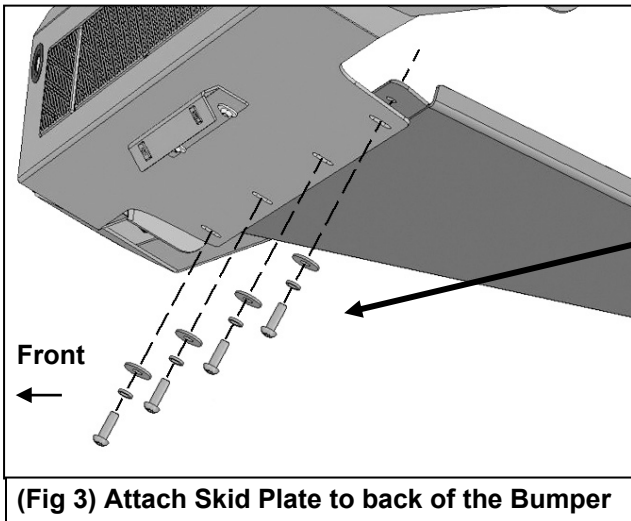
**SKID PLATE FOR EXTREME HD MODULAR FRONT BUMPER – SKU # T559791
2021+ FORD F150**



**(Fig 1) Remove factory skid plate
(STD factory skid plate pictured)**

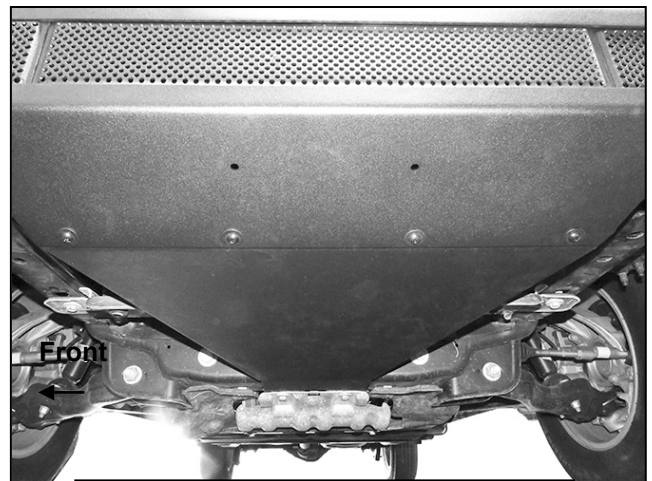


**(Fig 2) Remove factory skid plate
(large factory skid plate pictured)**



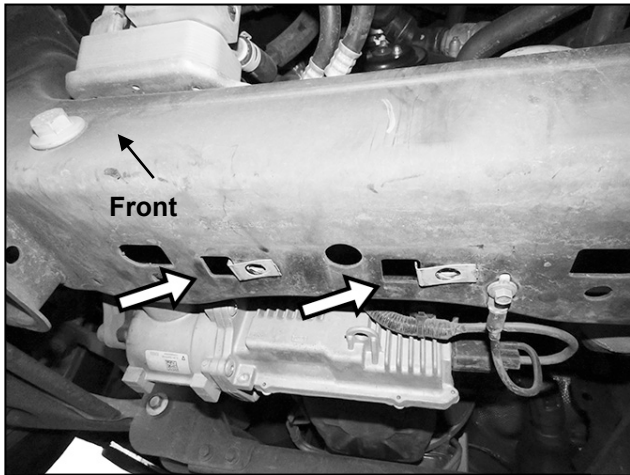
(Fig 3) Attach Skid Plate to back of the Bumper

- (4) 8mm Button Head Bolts**
- (4) 8mm Lock Washers**
- (4) 8mm x 24mm STD Flat Washers**



(Fig 4) Skid Plate attached to Bumper

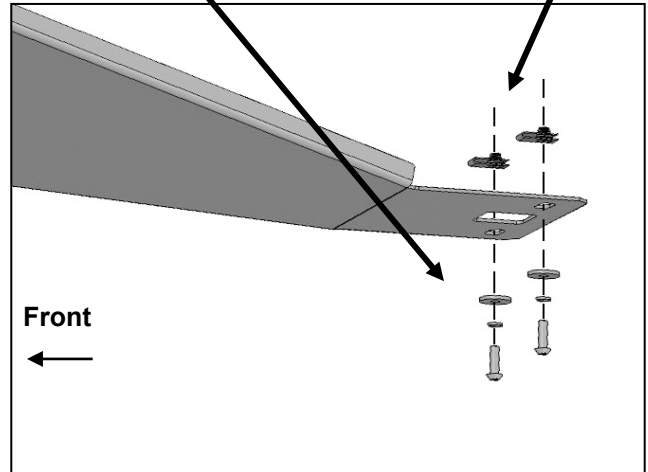
**SKID PLATE FOR EXTREME HD MODULAR FRONT BUMPER – SKU # T559791
2021+ FORD F150**



(Fig 5) Rear Skid Plate mounting location. Insert the included 8mm Clip Nuts

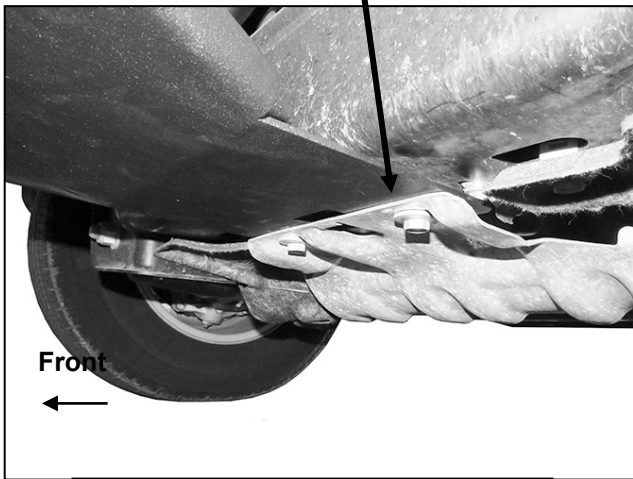
- (4) 8mm Button Head Bolts
 - (4) 8mm Lock Washers
 - (4) 8mm x 28mm Large Flat Washers
- Or reuse the factory hardware as pictured

(2) 8mm Clip Nuts

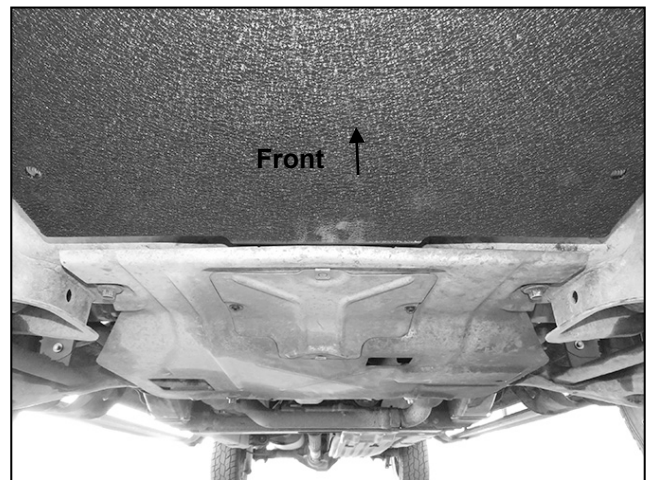


(Fig 6) Attach rear mount on Skid Plate to frame

- (4) 8mm Button Head Bolts
 - (4) 8mm Lock Washers
 - (4) 8mm x 28mm Large Flat Washers
- Or reuse the factory hardware as pictured



(Fig 7) Reinstall factory STD factory skid plate over Skid Plate



(Fig 8) Reinstall large factory skid plate over Skid Plate