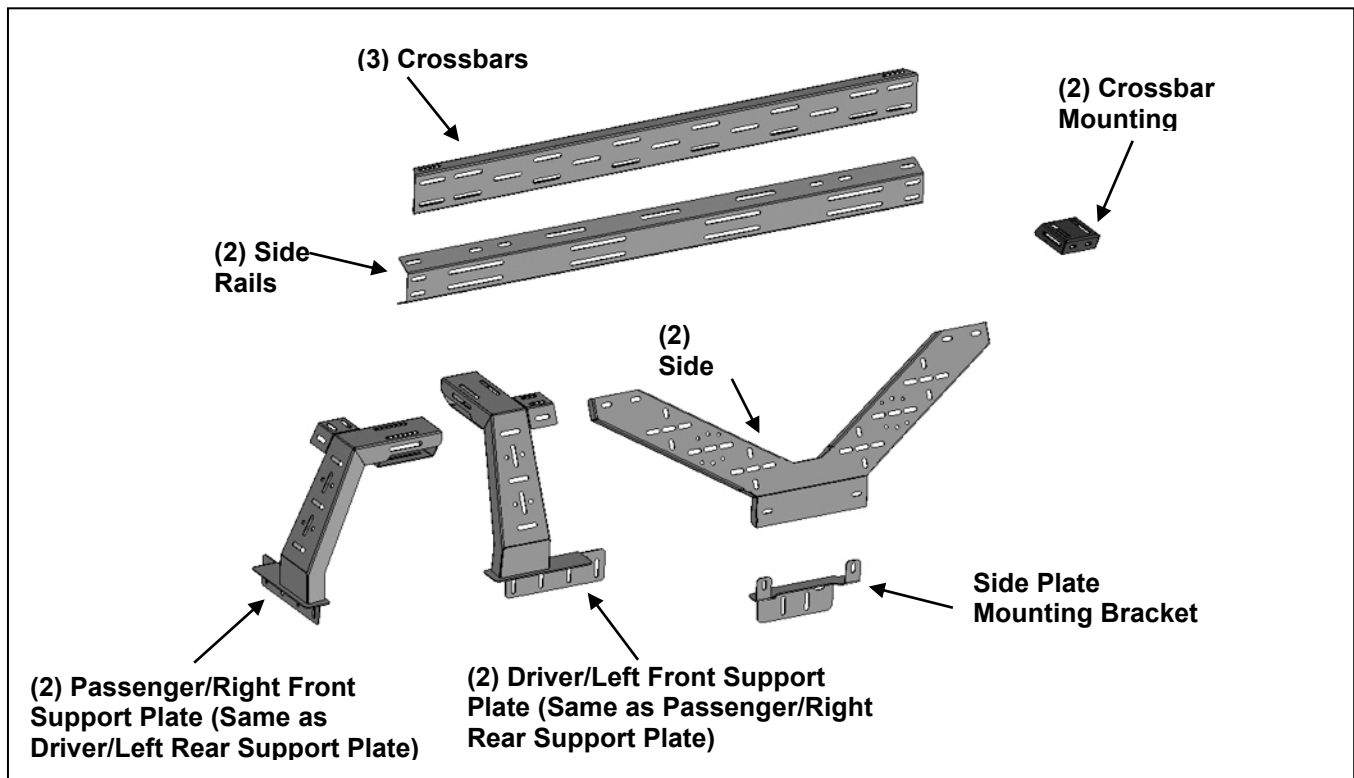


INSTALLATION INSTRUCTIONS
FULL SIZED OVERLAND PLATE STYLE BED RACK
FULL SIZED VEHICLES
T565067

FULL SIZED OVERLAND PLATE STYLE BED RACK FULL SIZED VEHICLES

PARTS LIST:

2	Driver/Left Support Plate	2	186mm x 72mm x 3mm Foam Strips
2	Passenger/Right Support Plate	56	8mm x 25mm Torx Bolts
2	Side Plates	24	8mm x 25mm Hex Bolts
2	Side Rails	80	8mm Lock Washers
3	Crossbars	80	8mm x 24mm OD x 2mm Flat Washers
2	Crossbar Mounting Brackets	56	8mm Flange Nuts
2	Side Plate Mounting Brackets	12	Block Nuts
2	258mm x 56mm x 3mm Foam Strips	12	Clamping Blocks
2	246mm x 72mm x 3mm Foam Strips	12	Nut Plates
4	240mm x 60mm x 3mm Foam Strips	1	8mm Torx Wrench



PROCEDURE:

REMOVE CONTENTS FROM BOX. VERIFY ALL PARTS ARE PRESENT. READ INSTRUCTIONS CAREFULLY BEFORE STARTING INSTALLATION. ASSISTANCE IS RECOMMENDED. DRILLING IS OPTIONAL.

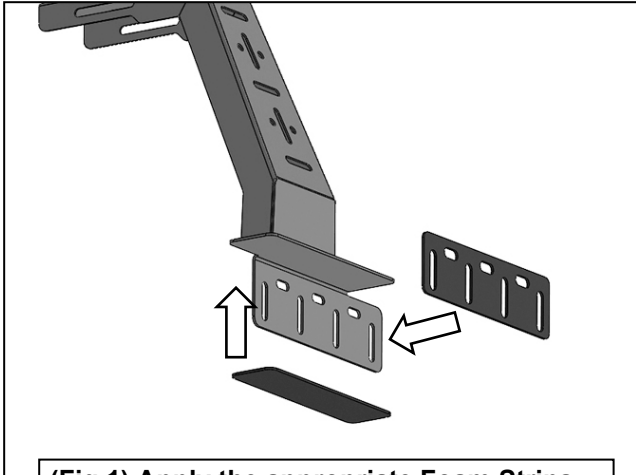
1. Select the Foam Strips. Apply the appropriate Foam Strips to the inner corners of the Front and Rear Support Plates and Side Plate Mounting Brackets, **(Figures 1 & 2)**.
2. Remove tonneau cover if equipped. Select the Front Support Plates and (1) Crossbar. Attach the Crossbar to the (2) Front Plates with (8) 8mm Torx Bolts, (8) 8mm Lock washers, (8) 8mm Flat Washers and (8) 8mm Flange Nuts, **(Figures 3 & 4)**. Do not tighten hardware.
3. Select (1) Side Rail and the Driver/Left Rear Support Bracket. Attach the Side Rail to the Front and Rear Support Plates with (8) 8mm Torx Bolts, (8) 8mm Lock washers, (8) 8mm Flat Washers and (8) 8mm Flange Nuts, **(Figures 5 & 6)**. Do not tighten hardware. Repeat this **Step** to attach the remaining (1) Side Rail and the Passenger/Right Support Plate to the Passenger/Right Side of the Bed Rack.
4. Repeat **Step 2** to attach (1) Crossbar to the (2) Rear Support Plates.
5. Select the remaining (1) Crossbar and (2) Crossbar Mounting Brackets. Attach (1) Crossbar Mounting Bracket to each side of the Crossbar with (8) 8mm Torx Bolts, (8) 8mm Lock washers, (8) 8mm Flat Washers and (8) 8mm Flange Nuts, **(Figures 7 & 9)**. Do not tighten hardware.

FULL SIZED OVERLAND PLATE STYLE BED RACK FULL SIZED VEHICLES

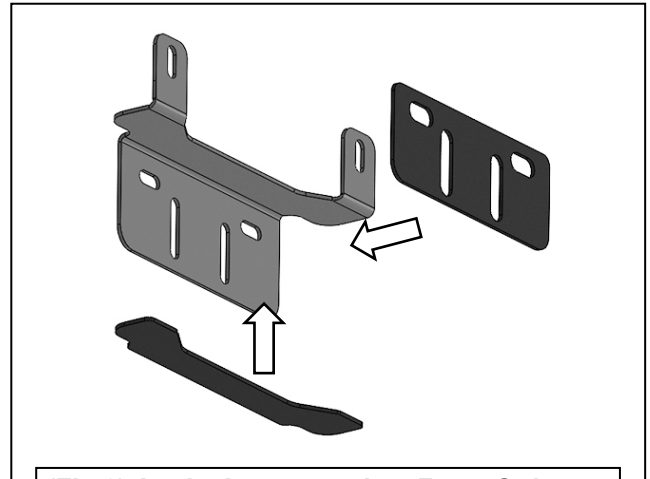
6. Locate the center slot in the (2) Side Rails. Attach the (2) Crossbar Mounting Brackets to the center slot in the Side Rails with (4) 8mm Torx Bolts, (4) 8mm Lock washers, (4) 8mm Flat Washers and (4) 8mm Flange Nuts, **(Figures 8 & 9)**. Do not tighten hardware.
7. Select (1) Side Plate. Attach the Side Plate onto the underside of the Side Rail with (4) 8mm Torx Bolts, (4) 8mm Lock washers, (4) 8mm Flat Washers and (4) 8mm Flange Nuts, **(Figures 10 & 11)**. Do not tighten hardware. Repeat this **Step** to attach the remaining (1) Side Plate to the underside of the other Side Rail.
8. Select (1) Side Plate Mounting Bracket. Attach the Mounting Bracket to the bottom inside of the Side Plate with (2) 8mm Hex Bolts, (2) 8mm Lock Washers, (2) 8mm Flat Washers and (2) 8mm Flange Nuts, **(Figure 12)**. Do not tighten hardware. Repeat this **Step** to attach the remaining (1) Mounting Bracket to the other Side Plate.
9. **For vehicles equipped with bed rails:**
 - a. Select the (12) Block Nuts. Insert (6) Block Nuts into each channel on each side of the bed of the vehicle, **(Figure 13)**.
 - b. With assistance, lift the Overland Bed Rack assembly onto the walls of the bed.
 - c. Line up the Block Nuts to the desired slot in each mounting plate, (2) Block Nuts per mounting plate.
 - d. Attach the Bed Rack to the Nut Blocks with (12) 8mm Hex Bolts, (12) 8mm Lock Washers and (12) 8mm Flat Washers, **(Figure 15)**. Do not tighten hardware
10. **For vehicles not equipped with bed rails:**
 - a. With assistance, lift the Overland Bed Rack assembly onto the walls of the bed.
 - b. Select the (12) Clamping Blocks.
 - c. Line up each Clamping Block behind a slot in the mounting plates and place the lip of the Clamping Block behind the lip of the bed.
 - d. Attach the Bed Rack to the Clamping Brackets with (12) 8mm Hex Bolts, (12) 8mm Lock Washers and (12) 8mm Flat Washers, **(Figure 16)**. Do not tighten hardware.
11. **(Optional drilling)** Mark (2) upper slots in each mounting plate, **(Figure 17)**. Temporarily remove the Bed Rack from the vehicle. With a 5/16inch drill bit, (not included) drill through the bed. Replace the Bed Rack onto the bed. Attach the Bed Rack to the drilled holes with (12) 8mm Hex Bolts, (12) 8mm Lock Washers, (12) 8mm Flat Washers and (12) Nut Plates, **(Figure 18)**. Replace the appropriate hardware. Do not tighten hardware.
12. Level and adjust the Overland Bed Rack and tighten all hardware.
13. Do periodic inspections to the installation to make sure that all hardware is secure and tight.

To protect your investment, Do not use any type of polish or wax that may contain abrasives that could damage the finish. Mild soap may be used to clean the Overland Bed Rack.

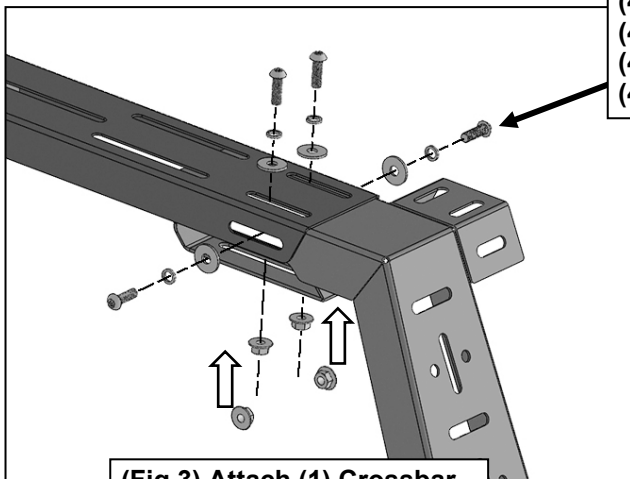
FULL SIZED OVERLAND PLATE STYLE BED RACK FULL SIZED VEHICLES



(Fig 1) Apply the appropriate Foam Strips to the inner corners of the mounting plates



(Fig 2) Apply the appropriate Foam Strips to the inner corners of the Mounting Brackets



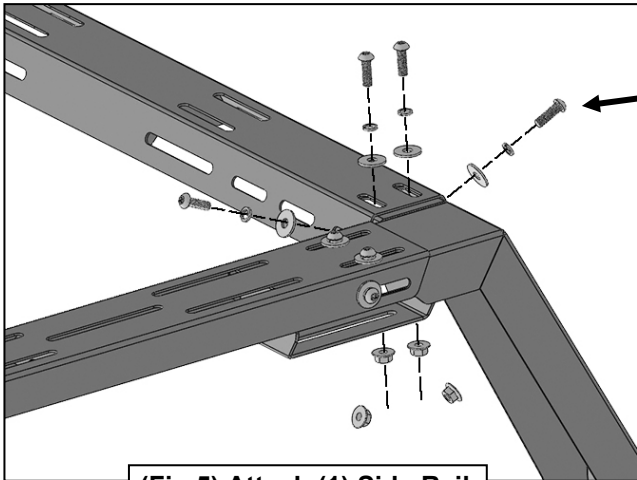
- (4) 8mm Torx Bolts
- (4) Lock Washers
- (4) 8mm Flat Washers
- (4) 8mm Flange Nuts

(Fig 3) Attach (1) Crossbar to the Support Arms



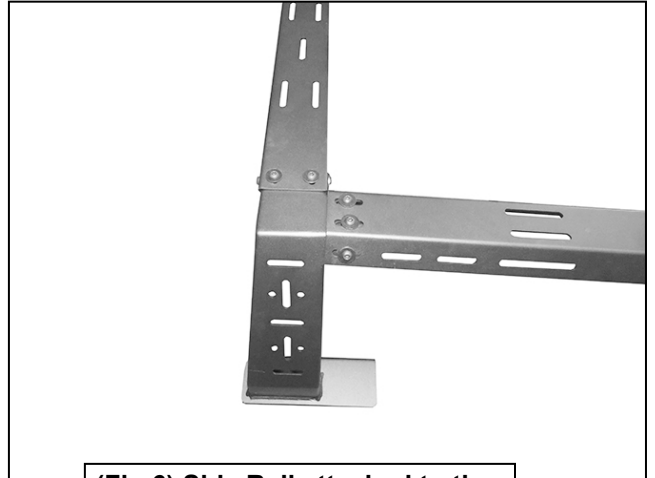
(Fig 4) (1) Crossbar attached to the Driver/Left Front Support Plate

**FULL SIZED OVERLAND PLATE STYLE BED RACK
FULL SIZED VEHICLES**

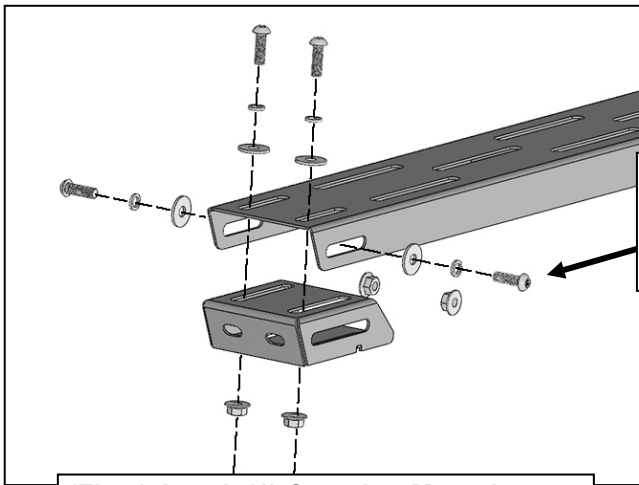


- (4) 8mm Torx Bolts
- (4) Lock Washers
- (4) 8mm Flat Washers
- (4) 8mm Flange Nuts

(Fig 5) Attach (1) Side Rail to the Front Support Plate



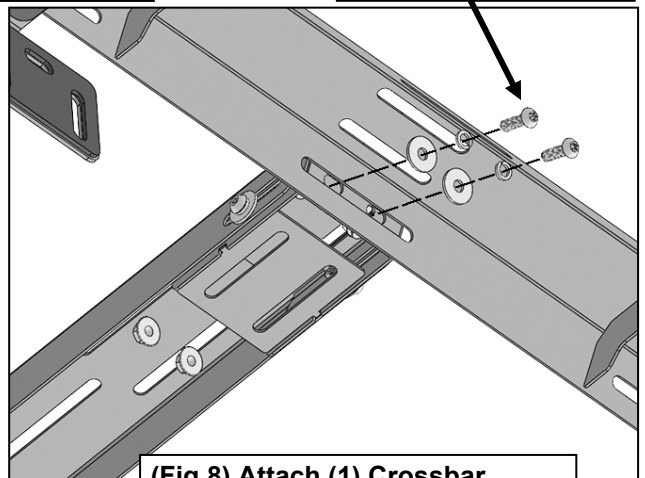
(Fig 6) Side Rail attached to the Driver/Left Front Support Plate



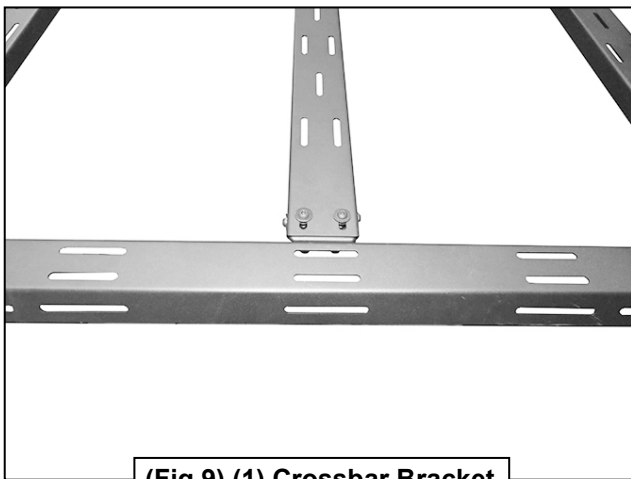
- (4) 8mm Torx Bolts
- (4) Lock Washers
- (4) 8mm Flat Washers
- (4) 8mm Flange Nuts

(Fig 7) Attach (1) Crossbar Mounting Bracket to the underside of (1) Crossbar

- (2) 8mm Torx Bolts
- (2) Lock Washers
- (2) 8mm Flat Washers
- (2) 8mm Flange Nuts

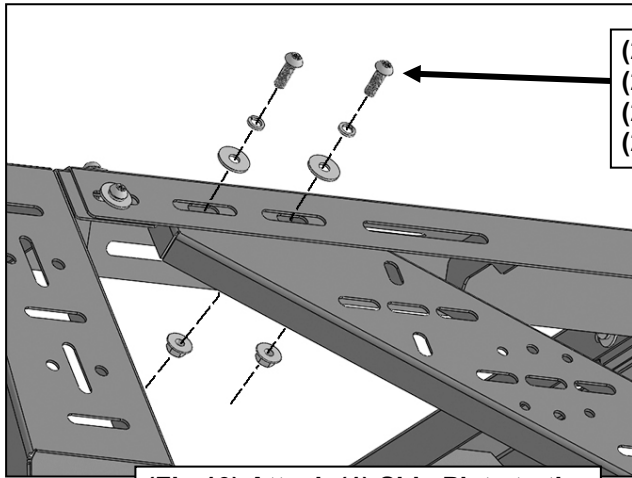


(Fig 8) Attach (1) Crossbar Mounting Bracket to each of the Side Rails



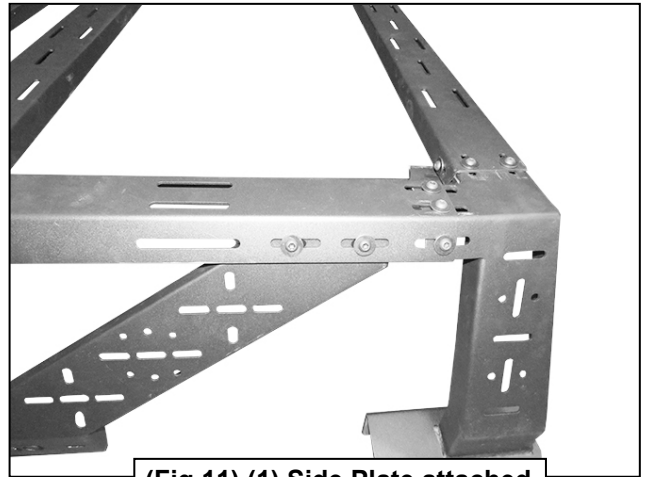
(Fig 9) (1) Crossbar Mounting Bracket attached to the Side Rails

FULL SIZED OVERLAND PLATE STYLE BED RACK FULL SIZED VEHICLES

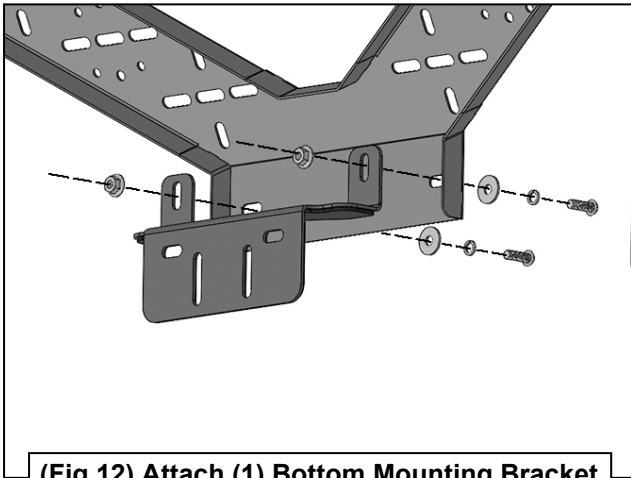


- (2) 8mm Torx Bolts
- (2) Lock Washers
- (2) 8mm Flat Washers
- (2) 8mm Flange Nuts

(Fig 10) Attach (1) Side Plate to the inside of each of the Side Rails



(Fig 11) (1) Side Plate attached to the inside of the Side Rails



(Fig 12) Attach (1) Bottom Mounting Bracket to the bottom of each of the Side Plates

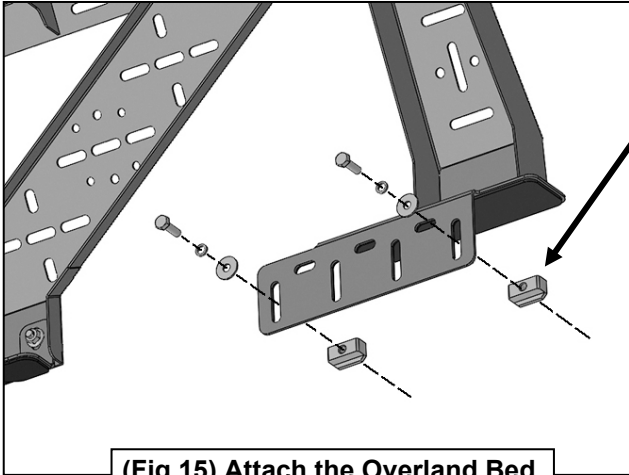


(Fig 13) For vehicles equipped with a bed rail, insert (6) Block Nuts into each side of the bed



(Fig 14) With assistance, place the Overland Bed Rack assembly onto the top of the bed. Line up the Block Nuts to the desired slots, (2) Block Nuts per mounting plate

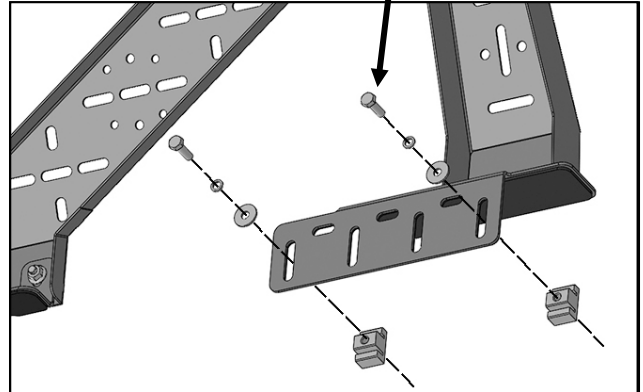
FULL SIZED OVERLAND PLATE STYLE BED RACK FULL SIZED VEHICLES



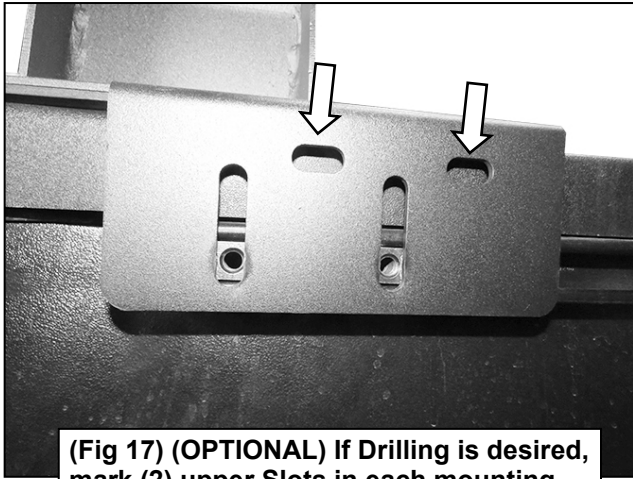
(Fig 15) Attach the Overland Bed Rack assembly to the Block Nuts

- (2) 8mm Hex Bolts
- (2) 8mm Lock Washers
- (2) 8mm Flat Washers
- (2) Block Nuts

- (2) 8mm Hex Bolts
- (2) 8mm Lock Washers
- (2) 8mm Flat Washers
- (2) Clamping Blocks

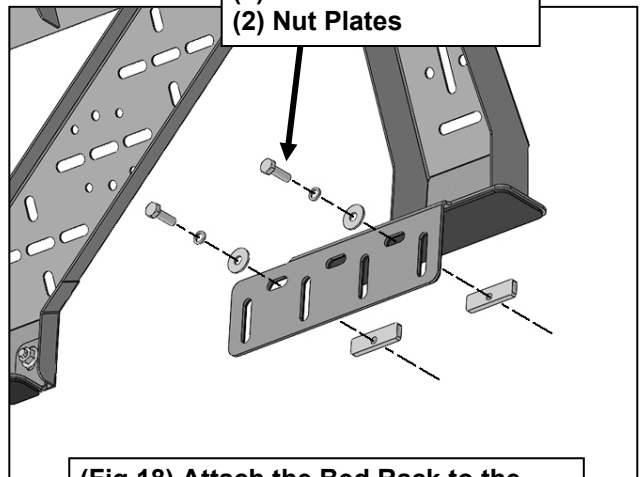


(Fig 16) For vehicles not equipped with a bed rail, but has a lip in the top of the bed wall, attach the Overland Bed Rack assembly by using the (12) Large Clamping Blocks

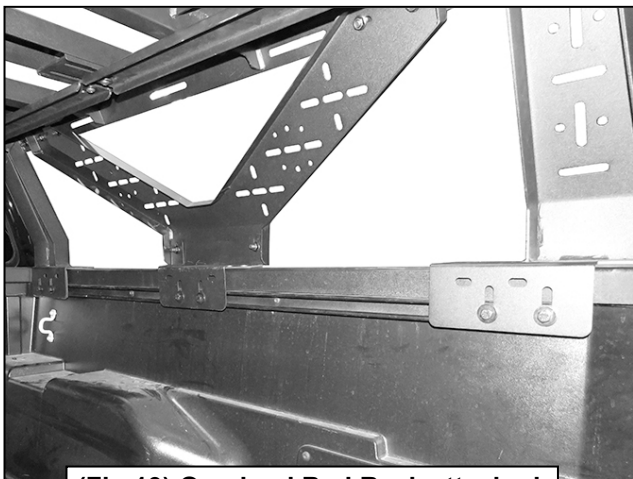


(Fig 17) (OPTIONAL) If Drilling is desired, mark (2) upper Slots in each mounting plate. Use a 5/16in drill bit to drill the marked areas, (Drill bit not included)

- (2) 8mm Hex Bolts
- (2) 8mm Lock Washers
- (2) 8mm Flat Washers
- (2) Nut Plates



(Fig 18) Attach the Bed Rack to the drilled holes using the (12) Nuts Plates



(Fig 19) Overland Bed Rack attached to the Passenger/Right side shown