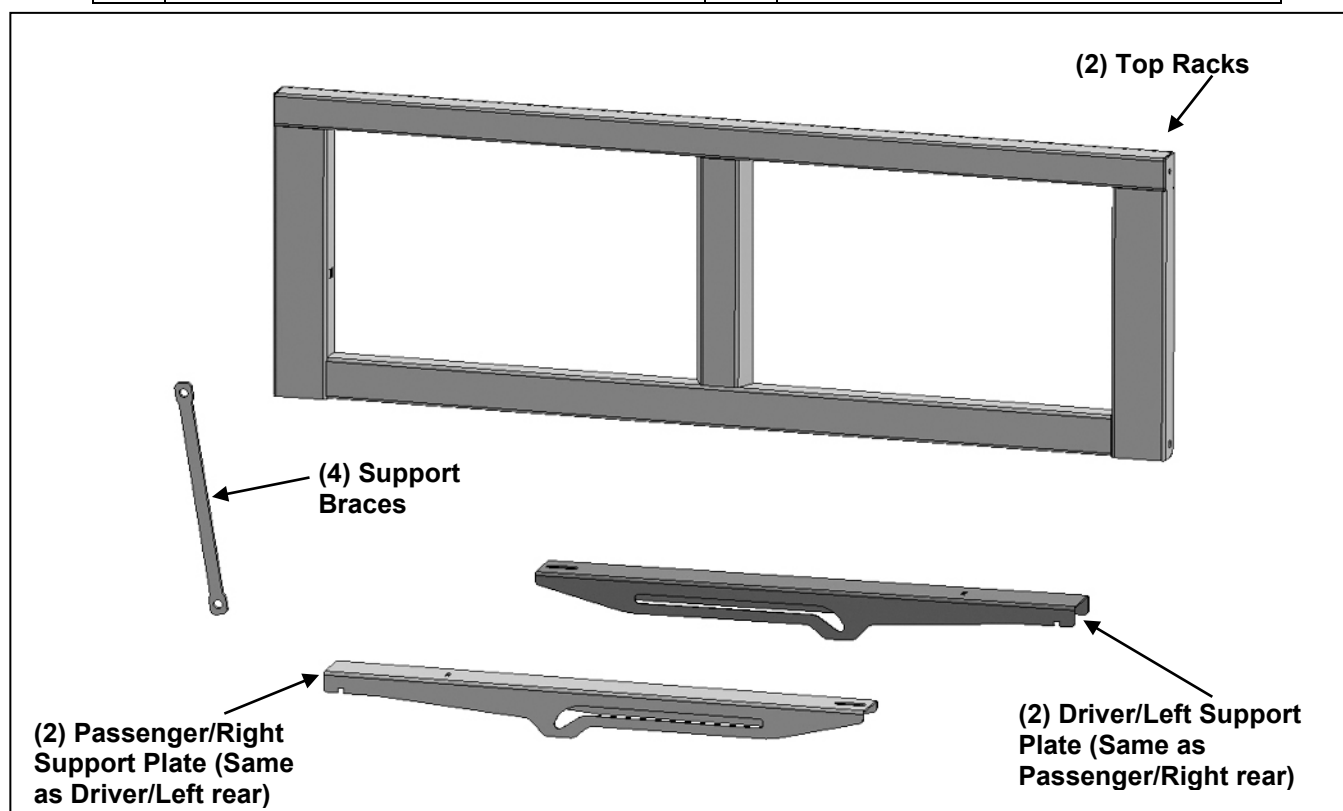


**PARTS LIST:**

2	Top Racks	8	10mm Wing Nuts
2	Driver/Left Top Rack Support Brackets	4	8mm x 80mm Hex Bolts
2	Passenger/Right Top Rack Support Bracket	12	8mm x 25mm Torx Bolts
4	Support Braces	12	8mm Lock Washers
4	Self-Adhesive Foam Strips	12	8mm x 24mm OD x 2mm Flat Washers
8	17mm x 25mm OD Nylon Washers	8	8mm x 16mm OD x 1.6mm Flat Washers
8	14mm x 25mm OD Nylon Washers	12	8mm Flange Nuts
8	10mm x 35mm Carriage Bolts	4	8mm Nylon Lock Nuts
8	10mm Lock Washers	1	T40 Torx Wrench
8	10mm x 20mm OD x 2mm Flat Washers		

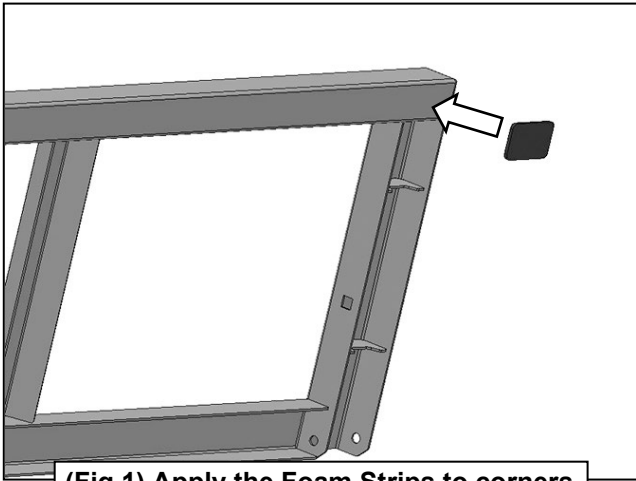
**PROCEDURE:**

**REMOVE CONTENTS FROM BOX. VERIFY ALL PARTS ARE PRESENT. READ INSTRUCTIONS CAREFULLY BEFORE STARTING INSTALLATION. ASSISTANCE IS RECOMMENDED. DRILLING IS OPTIONAL.**

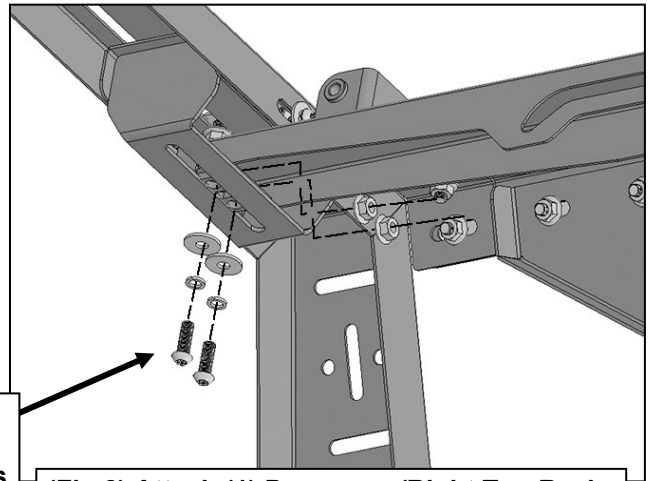
1. Select the Foam Strips. Apply the Foam Strips to the upper corners of the Top Racks, **(Figure 1)**.
2. Select (1) Passenger/Right Support Bracket. Slide the side of the Bracket with the hinge mount into the loop in the bed rack. Attach the Bracket to the bed rack with (2) 8mm Torx Bolts, (2) 8mm Lock Washers, (2) 8mm x 24mm Flat Washers and (2) 8mm Flange Nuts, **(Figure 2)**. Do not tighten hardware.
3. Attach the Support Bracket to the center crossbar with (1) 8mm Torx Bolt, (1) 8mm Lock Washer, (1) 8mm x 24mm Flat Washer and (1) 8mm Flange Nut, **(Figure 3)**. Do not tighten hardware.
4. Repeat **Steps 2 & 3** to attach the remaining (3) Support Brackets.
5. Select (1) Top Rack. Attach the Top Rack to the hinge mount on the top of the Support Brackets with (2) 8mm Hex Bolts, (4) 8mm x 16mm Flat Washers, (4) 17mm Nylon Washers and (2) 8mm Nylon Lock Nuts, **(Figure 4)**. Do not tighten hardware. **NOTE:** insert the Nylon Washers between the hinge mount and the opening in the underside of the Top Rack.

6. Select (1) Support Brace.
  - a. Attach the Brace to the Top Rack with (1) 10mm Carriage Bolt, (1) 14mm Nylon Washer, (1) 10mm Flat Washer, (1) 10mm Lock Washer and (1) 10mm Wing Nut, **(Figure 5)**. Do not tighten hardware. **NOTE:** Attach the Nylon Washer between the Top Rack and the Support Brace.
  - b. Attach the Support Brace to the long-curved slot in the Support Bracket with (1) 10mm Carriage Bolt, (1) 14mm Nylon Washer, (1) 10mm Flat Washer, (1) 10mm Lock Washer and (1) 10mm Wing Nut, **(Figure 6)**. Do not tighten hardware. **NOTE:** Attach the Nylon Washer between the Support Bracket and the Support Brace.
  - c. Repeat previous **Steps** to attach (1) Support Brace to the other side of the attached Top Rack.
7. Repeat **Steps 5 & 6** to attach the other Top Rack to the bed rack.
8. Level and adjust the Top Rack and tighten all hardware.
9. To close the Top Rack, Loosen the Wing Nuts and slowly lower the Top Rack into the closed position. Tighten the Wing Nuts to secure.
10. To open the Top Rack, Loosen the Wing Nuts and Slowly lift the Top Rack into the open position. **NOTE:** For best results, move the lower Carriage Bolts all the way into the lowered edge of the slot then tighten the Wing Nuts to secure.
11. Do periodic inspections to the installation to make sure that all hardware is secure and tight.

**To protect your investment,** Do not use any type of polish or wax that may contain abrasives that could damage the finish. Mild soap may be used to clean the Top Rack.

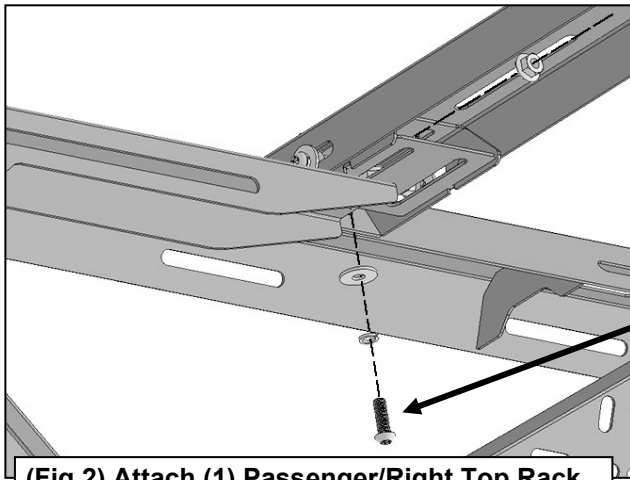


(Fig 1) Apply the Foam Strips to corners of the upper corners of the Top Racks



(Fig 2) Attach (1) Passenger/Right Top Rack Support Bracket to the front of the bed rack

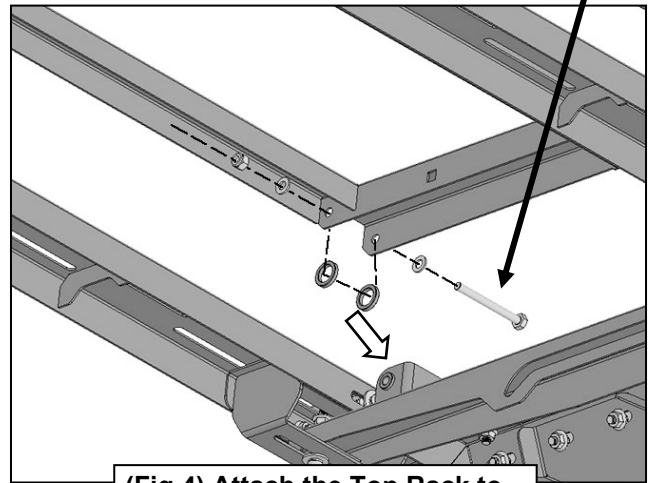
- (2) 8mm Torx Bolts
- (2) Lock Washers
- (2) 8mm Flat Washers
- (2) 8mm Flange Nuts



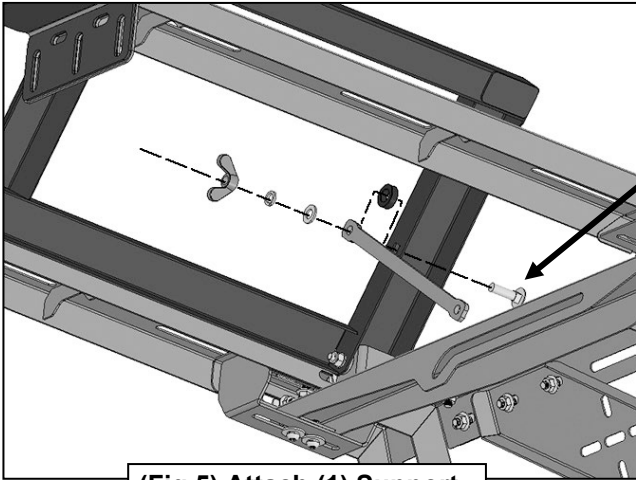
(Fig 2) Attach (1) Passenger/Right Top Rack Support Bracket to the center of the bed rack

- 8mm Torx Bolt
- 8mm Lock Washer
- 8mm Flat Washer
- 8mm Flange Nut

- 8mm Hex Bolt
- 17mm Nylon Washer
- (2) 8mm Flat Washers
- 8mm Nylon Lock Nut



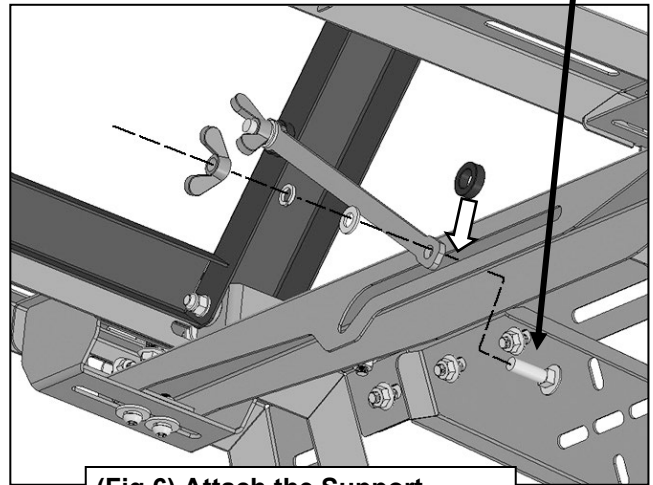
(Fig 4) Attach the Top Rack to the top of the Support Brackets



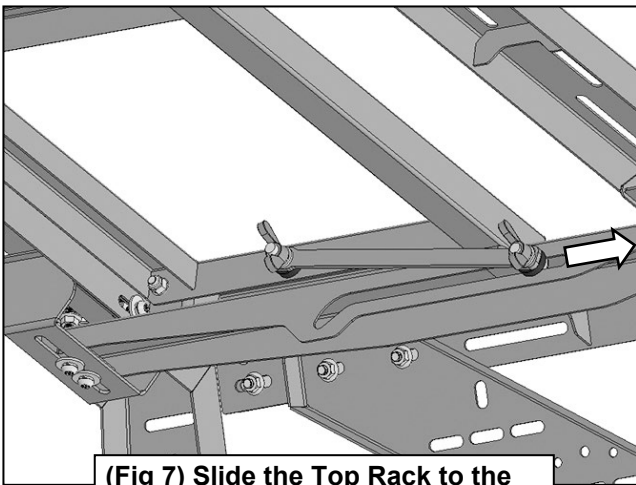
- 10mm Carriage Bolt
- 14mm Nylon Washer
- 10mm Flat Washer
- 10mm Lock Washer
- 10mm Wing Nut

- 10mm Carriage Bolt
- 14mm Nylon Washer
- 10mm Flat Washer
- 10mm Lock Washer
- 10mm Wing Nut

(Fig 5) Attach (1) Support Hinge to the Top Rack

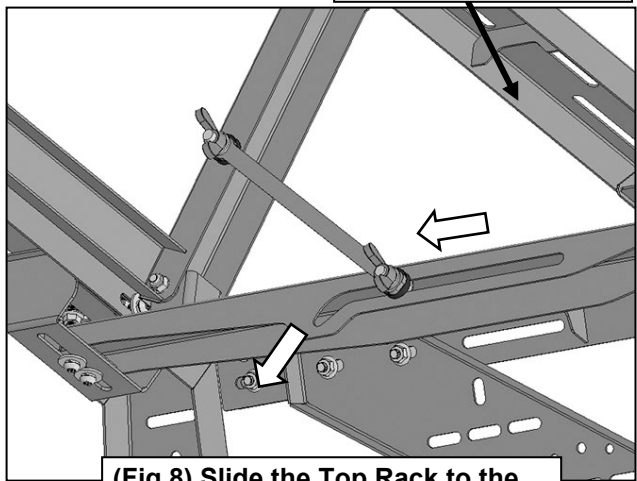


(Fig 6) Attach the Support Hinge to the Support Bracket



(Fig 7) Slide the Top Rack to the lowered position to close the rack, tighten the wing nut to secure

- (2) 8mm Torx Bolts
- (2) Lock Washers
- (2) 8mm Flat Washers
- (2) 8mm Flange Nuts



(Fig 8) Slide the Top Rack to the opened position to open the rack, slide the lower Carriage Bolt into the outer lowered slot and tighten the wing nut to secure