



## 4R70W/75W 98+ Transmission Harness P/N 558-470

**Requires software version 4.0 build 32 or higher and ECU firmware 4.0 build 74 or higher.**

The transmission harness can be used on 4R70W and 4R75W transmissions from 1998 onward.

### **Connectors**

**Transmission ECU Connector (P4)** – Plugs into the ECU. Plugs into the last connector opposite the main harness.

**Main Transmission Connector** – Simply plugs into the connector on the transmission.

**Transmission Range Connector** – Plugs in at the manual lever on the transmission. The loose wires are for various car features and are listed later in the instructions.

**Vehicle Speed Sensor (VSS)/Transmission Output Speed Sensor (OSS)** – Two short jumper harnesses are included – select the correct one for your application based on the sensor's connector shape.

**Pressure Transducer** (optional) – The harness is supplied with a prewired pressure transducer connector. This can be used to monitor transmission line pressure if desired. The input will need to be configured for the sensor used in the I/O and then mapped to J4-B21. A Holley 0-500psi sensor (554-136) is recommended.

### **Loose Wires**

**Brake Switch** (brown/white) – Wired to the brake light switch. This must be installed to a +12v source (as most brake light switches are). This input is used to unlock the torque converter when the brakes are applied.

**OD Cancel** (tan) (optional) – Use this wire on a momentary switch to disable/enable overdrive. This must be installed to a +12v.

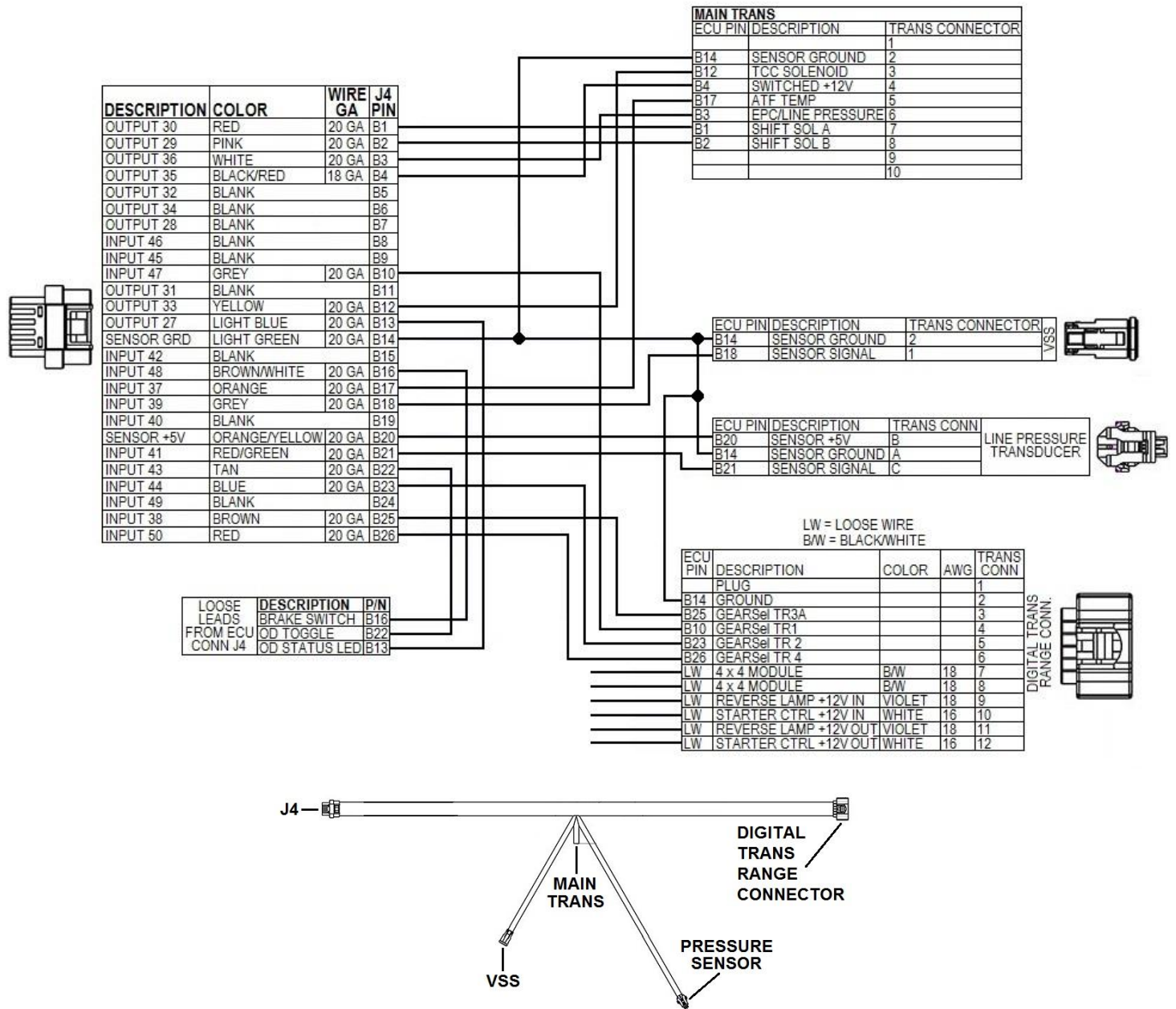
**OD Status** (light blue) (optional) – Hook this to the ground side of an LED to indicate if OD Cancel is active.

\***Reverse Lights** (violet) – Pass through circuit for reverse lamp activation.

\***Neutral Safety Switch** (white) – Pass through circuit for starter solenoid.

\***4x4 Module** (black/white) (optional) – Pass through circuit for 4x4 modules.

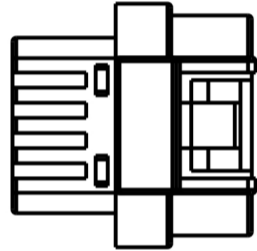
\***NOTE: Refer to factory manuals in order to wire these functions into factory vehicles equipped with these functions.**



**Technical Support: 1-866-464-6553**

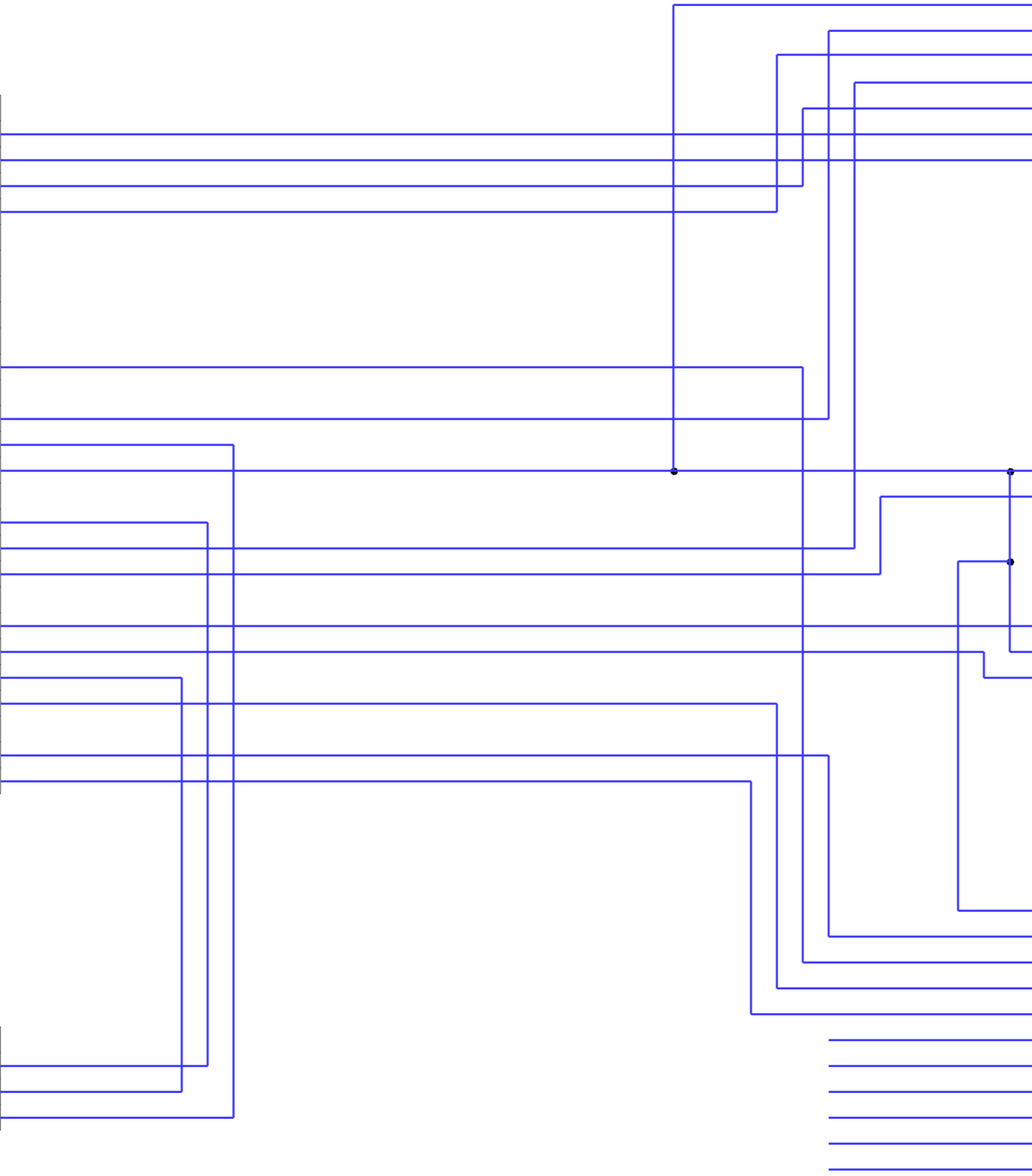
© 2018 Holley Performance Products. All Rights Reserved. Tous Droits Réservés.

**199R11243**  
**Revision Date: 5-14-18**



DESCRIPTION	COLOR	WIRE GAUGE	J4 PIN
OUTPUT 30	RED	20 ga	B1
OUTPUT 29	PINK	20 ga	B2
OUTPUT 36	WHITE	20 ga	B3
OUTPUT 35	BLACK/RED	18 ga	B4
OUTPUT 32	BLANK		B5
OUTPUT 34	BLANK		B6
OUTPUT 28	BLANK		B7
INPUT 46	BLANK		B8
INPUT 45	BLANK		B9
INPUT 47	GREY	20 ga	B10
OUTPUT 31	BLANK		B11
OUTPUT 33	YELLOW	20 ga	B12
OUTPUT 27	LIGHT BLUE	20 ga	B13
SENSOR GROUND	LIGHT GREEN	20 ga	B14
INPUT 42	BLANK		B15
INPUT 48	BROWN/WHITE	20 ga	B16
INPUT 37	ORANGE	20 ga	B17
INPUT 39	GREY	20 ga	B18
INPUT 40	BLANK		B19
SENSOR +5V	ORANGE/YELLOW	20 ga	B20
INPUT 41	RED/GREEN	20 ga	B21
INPUT 43	TAN	20 ga	B22
INPUT 44	BLUE	20 ga	B23
INPUT 49	BLANK		B24
INPUT 38	BROWN	20 ga	B25
INPUT 50	RED	20 ga	B26

LOOSE LEADS FROM ECU CONN. J4	DESCRIPTION	PIN
	BRAKE SWITCH	B16
	OD TOGGLE	B22
	OD STATUS LED	B13

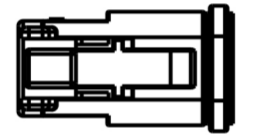


ECU PIN	DESCRIPTION	TRANS CONNECTOR
		1
B14	SENSOR GROUND	2
B12	TCC SOLENOID	3
B4	SWITCHED +12V	4
B17	ATF TEMP	5
B3	EPC/LINE PRESSURE	6
B1	SHIFT SOL A	7
B2	SHIFT SOL B	8
		9
		10

SPLICE

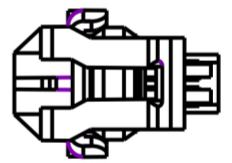
ECU PIN	DESCRIPTION	TRANS CONNECTOR
B14	SENSOR GROUND	2
B18	SENSOR SIGNAL	1

VSS



ECU PIN	DESCRIPTION	TRANS CONNECTOR
B20	SENSOR +5V	B
B14	SENSOR GROUND	A
B21	SENSOR SIGNAL	C

LINE PRESSURE TRANSDUCER



ECU PIN	DESCRIPTION	COLOR	AWG	TRANS CONNECTOR
	PLUG			1
B14	GROUND			2
B25	GEARSe1 TR3A			3
B10	GEARSe1 TR 1			4
B23	GEARSe1 TR 2			5
B26	GEARSe1 TR 4			6
LOOSE	4X4 MODULE	BLACK/W	18	7
LOOSE	4X4 MODULE	BLACK/W	18	8
LOOSE	REVERSE LAMP +12V IN	VIOLET	18	9
LOOSE	STARTER CTRL +12V IN	WHITE	16	10
LOOSE	REVERSE LAMP +12V OUT	VIOLET	18	11
LOOSE	STARTER CTRL +12V OUT	WHITE	16	12

DIGITAL TRANS RANGE CONNECTOR

