



HEADACHE RACK

(2009-2023 F-150)

(2009-2018 1500 / 2500 / 3500)

(2007-2018 SILVERADO/SIERRA)

(2016-2023 TITAN)

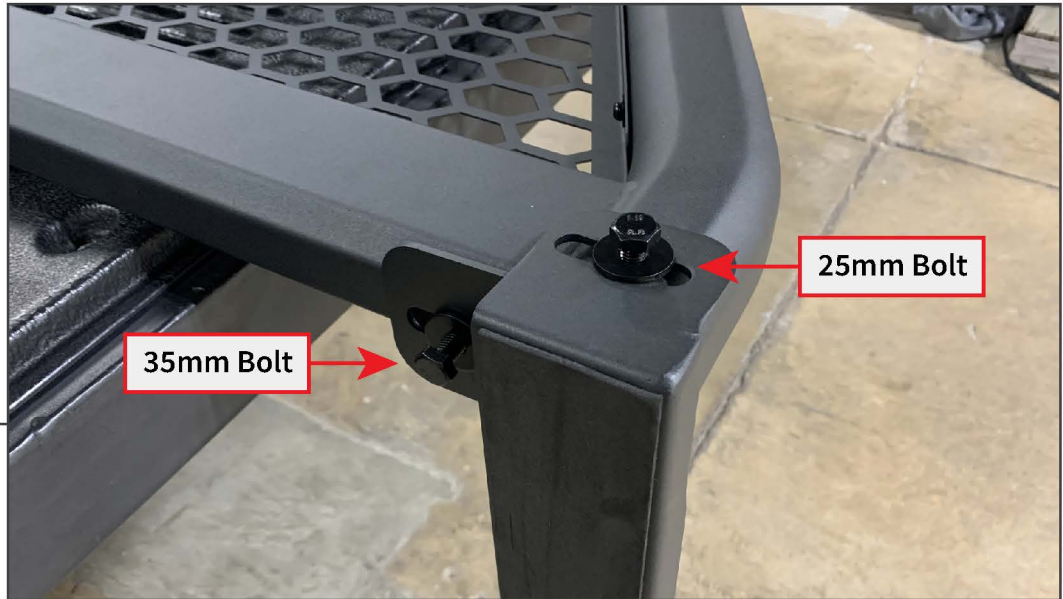
INSTALLATION INSTRUCTIONS

CONTENTS

- (1) Headache Rack
- (2) Rubber End Sleeves
- (1) LH Bed Mounting Bracket
- (1) RH Bed Mounting Bracket
- (2) Light Bar Raising Brackets
- (2) Light Bar 'L' Brackets
- (4) M10x1.50 x 50mm Bolts
- (2) M10x1.50 x 35mm Bolts
- (2) M10x1.50 x 25mm Bolts
- (8) M10 Lock Washers
- (12) M10 Flat Washers
- (4) M10 Nuts
- (6) M8x1.25 x 25mm Allen Bolts
- (6) M8 Lock Washers
- (8) M8 Flat Washers
- (2) M8 Nuts
- (1) 5mm Allen Key

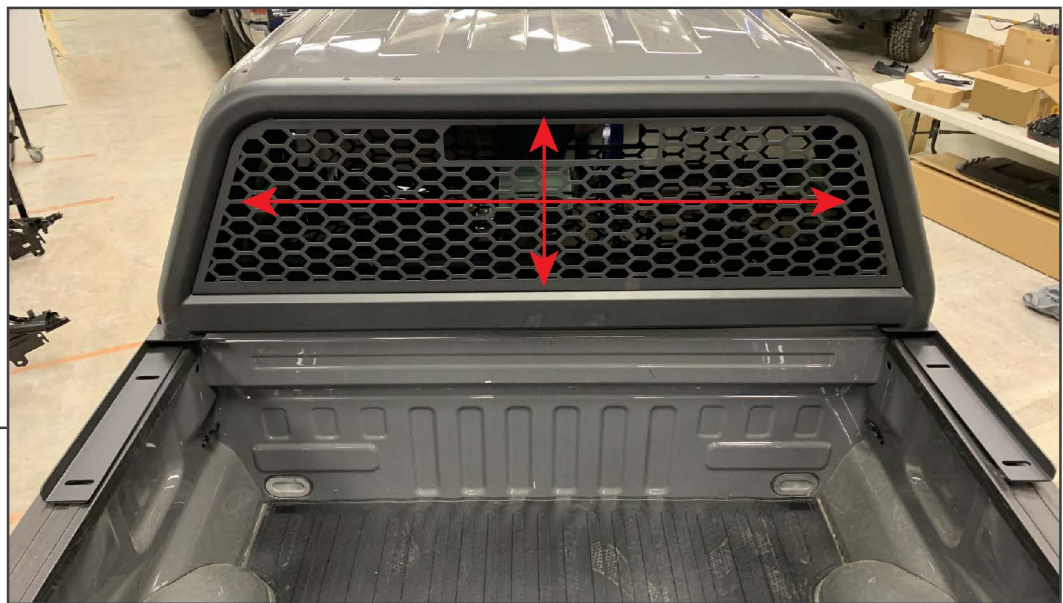
TOOLS REQUIRED

- 16mm Socket/Wrench
- Ratchet
- 5mm Allen Key
- Power Drill
- 13/32" Drill Bit
- Permanent Marker



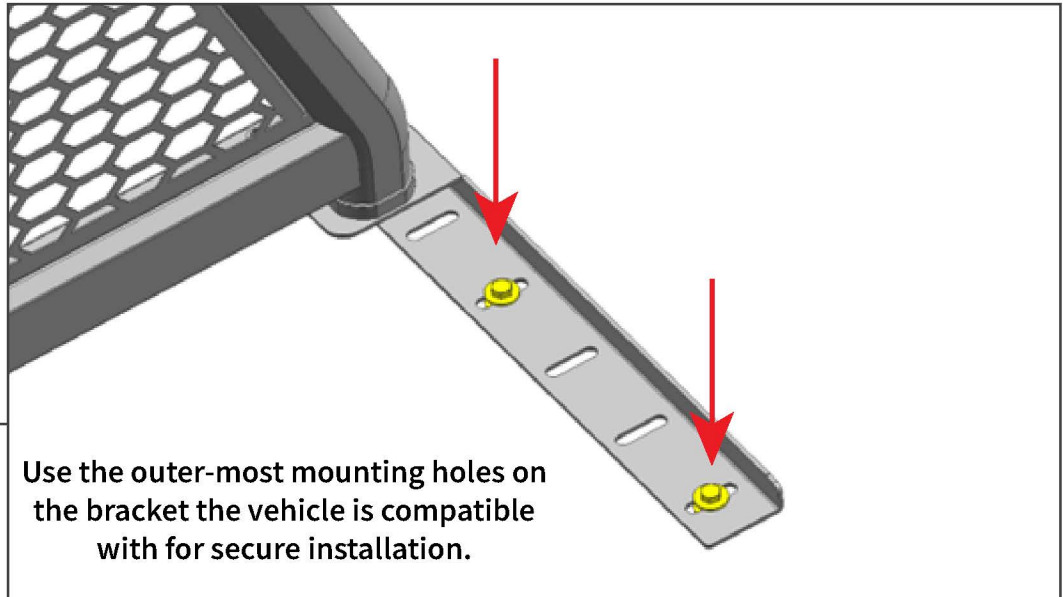
STEP 1

Loosely secure the bed mounting brackets to the headache rack using (1) M10 x 35mm bolt, (1) M10 x 25mm bolt, (2) M10 lock washers, and (2) M10 flat washers per bracket. The mounting brackets must be loose to allow for adjustments later.



STEP 2

With the brackets installed, test fit the headache rack to the vehicle. Center the headache rack to the vehicle, using the third brake light as a reference. Adjust the bed mounting brackets to best fit the vehicle bed rails, then tighten into place. Ensure adequate spacing between the headache rack and the vehicle cab while adjusting.

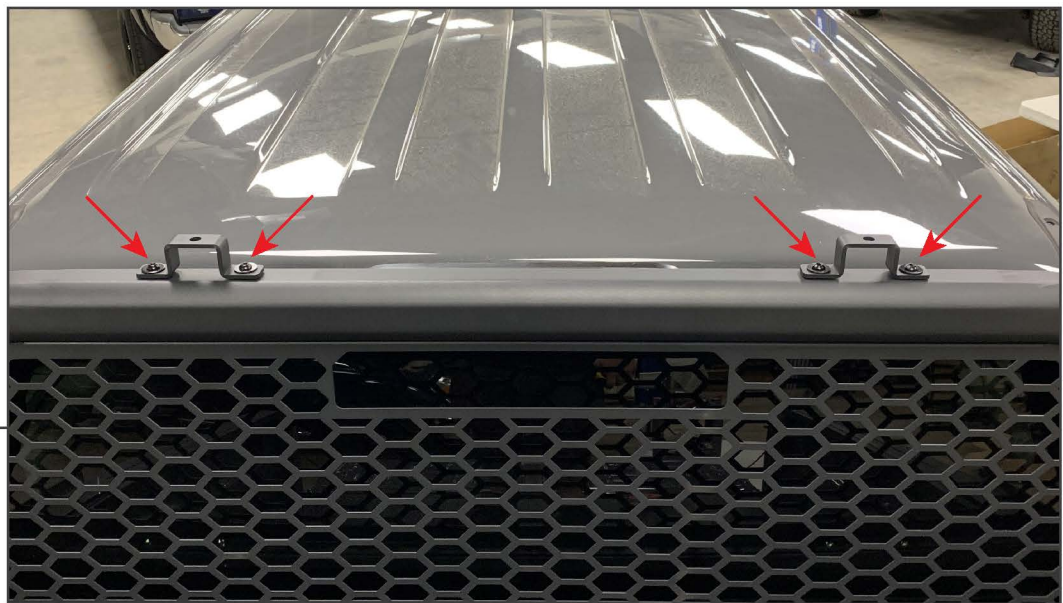


STEP 3

Use the outer-most mounting holes on the bracket the vehicle is compatible with for secure installation.

Use a permanent marker to mark the vehicle bed rail for drilling, then remove the headache rack from the vehicle. Drill (2) holes in the bed rail to fit the M10 hardware using a 13/32" drill bit. Once drilled, secure each side of the headache rack to the vehicle bed using (2) M10 x 50mm bolts, (2) M10 lock washers, (4) M10 flat washers, and (2) M10 nuts. Tighten evenly until secure.

Note: Multiple holes are drilled in the mounting bracket to accommodate vehicles with stake post holes. Only (2) bolts per side are required for secure mounting.



STEP 4

Secure the (2) light bar raising brackets to the headache rack using (2) M8 x 25mm Allen bolts, (2) M8 lock washers, and (2) M8 flat washers per bracket into the headache rack threaded inserts. Pod lights can be installed to these mounting brackets. See step 5 for light bar mounting.

Note: Lighting sold separately.



STEP 5

Secure the (2) light bar 'L' brackets to the previously mounted light raising brackets using (1) M8 x 25mm Allen bolt, (1) M8 lock washer, (2) M8 flat washers, and (1) M8 nut per bracket.

Note: The light bar 'L' brackets can be orientated to accommodate 20"-34" light bars. Lighting sold separately.



STEP 6

Ensure all mounting hardware is secure.

Installation is now complete.