



TUBULAR DROP STEPS

(2015-2023+ F-150 SUPERCREW CAB)

(2022-2023+ F-150 LIGHTNING EV SUPERCREW CAB)

(2017-2023+ F-250/F-350/F-450/F-550 SUPER DUTY CREW CAB)

INSTALLATION INSTRUCTIONS

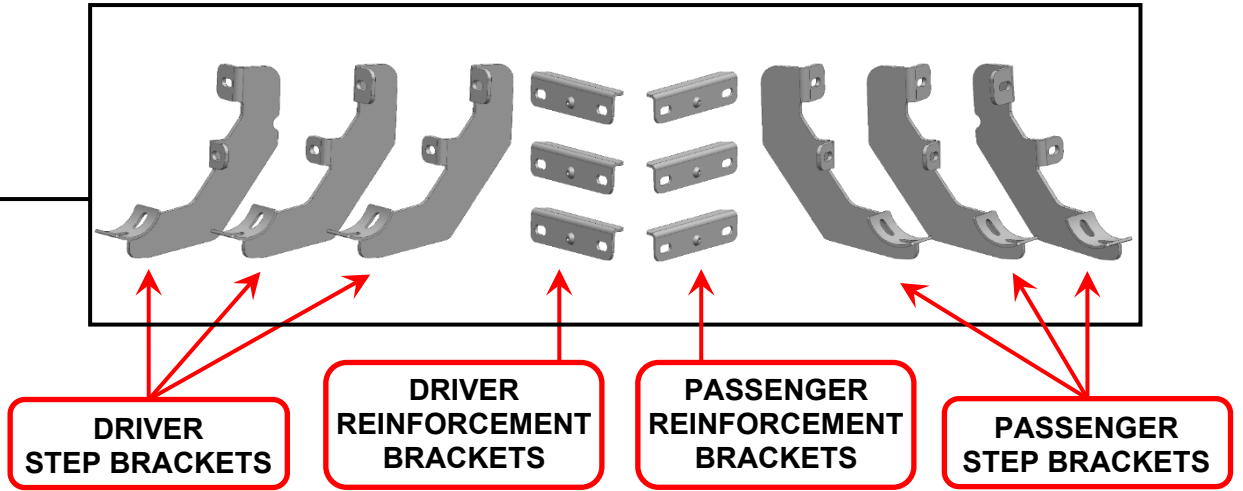
CONTENTS

- (1) LH Side Step
- (1) RH Side Step
- (3) LH Step Brackets [DF, DC, DR]
- (3) LH Reinforcement Brackets [DF, DC, DR]
- (3) RH Step Brackets [PF, PC, PR]
- (3) RH Reinforcement Brackets [PF, PC, PR]
- (18) M8 Plastic Washers
- (24) M8 x 24mm OD x 2mm Flat Washers
- (24) M8 Nylon Lock Nuts
- (12) M8 x 25mm Combo Bolts

TOOLS REQUIRED

- 13mm Socket/Wrench
- Ratchet

STEP 1

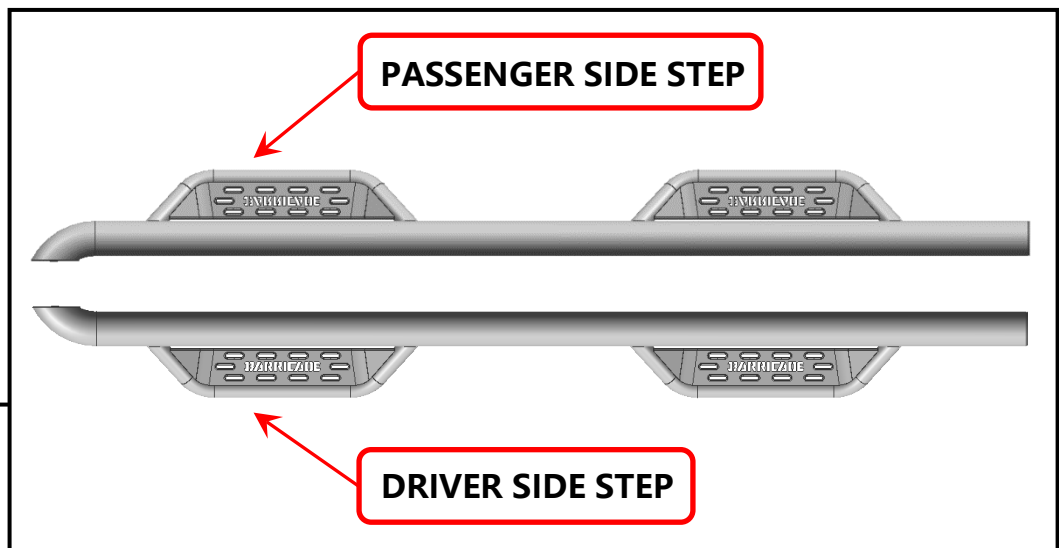


Identify each mounting bracket using the engraved location identifier. **Notice: The Center brackets are the same as The Rear brackets. Both Reinforcement brackets are the same.**

DF: Driver Front
DC: Driver Center
DR: Driver Rear

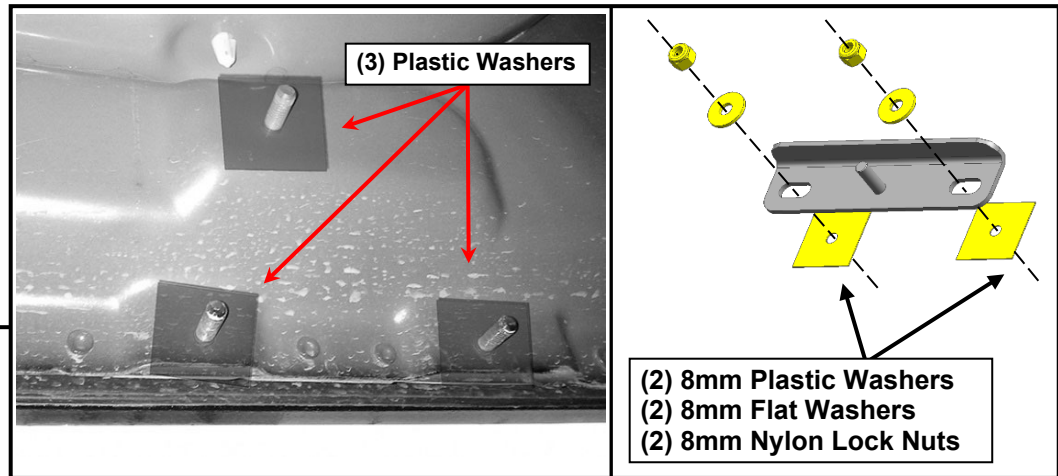
PF: Passenger Front
PC: Passenger Center
PR: Passenger Rear

STEP 2



Identify each side step by the curved portion of the step.

STEP 3

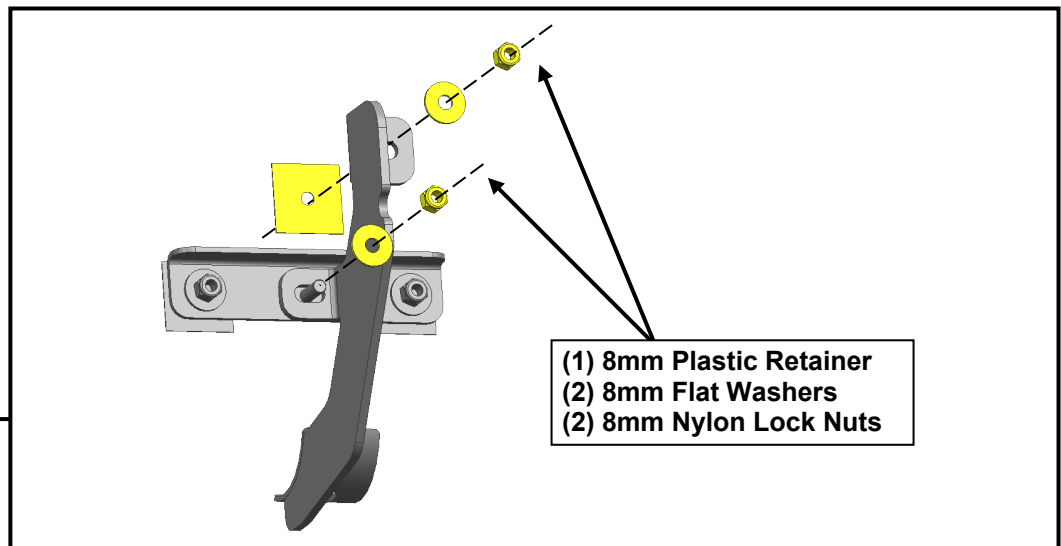


Start installation toward the front of the Passenger/Right side of the vehicle.

Slide (1) Plastic Washer over each of the (3) factory mounting studs in the body panel.

Loosely fit the Passenger Front reinforcement bracket to the (2) lower studs using (2) M8 Plastic Washers, (2) M8 x 24mm flat washers, and (2) M8 nylon lock nuts. Do not fully tighten to allow for later adjustments. Repeat this step for all step brackets.

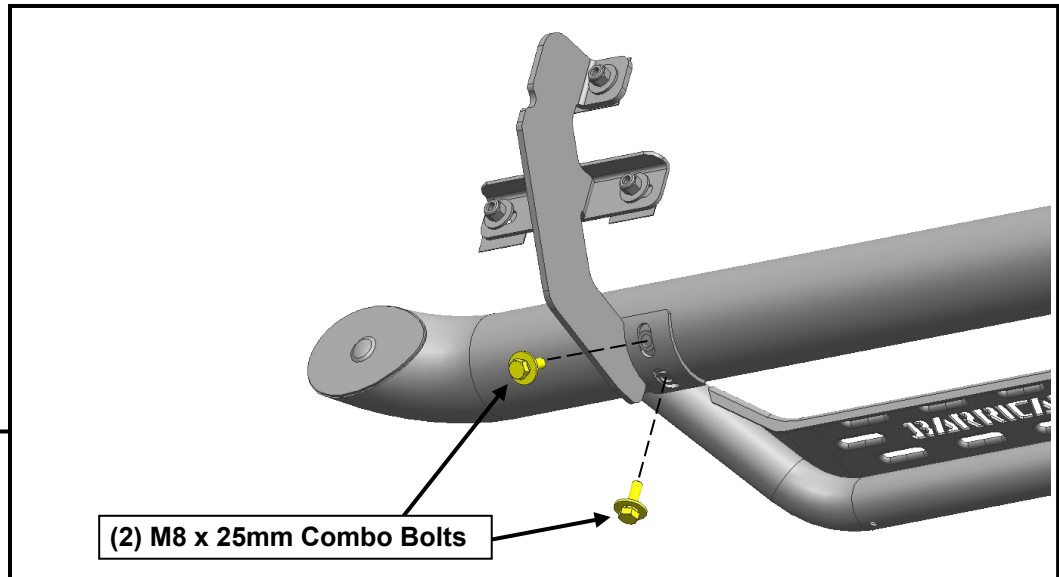
STEP 4



Loosely attach the (1) Passenger step bracket to the upper factory mounting stud and the (1) Passenger reinforcement bracket using (1) M8 plastic washer, (2) M8 flat washers, and (2) M8 nylon lock nuts.

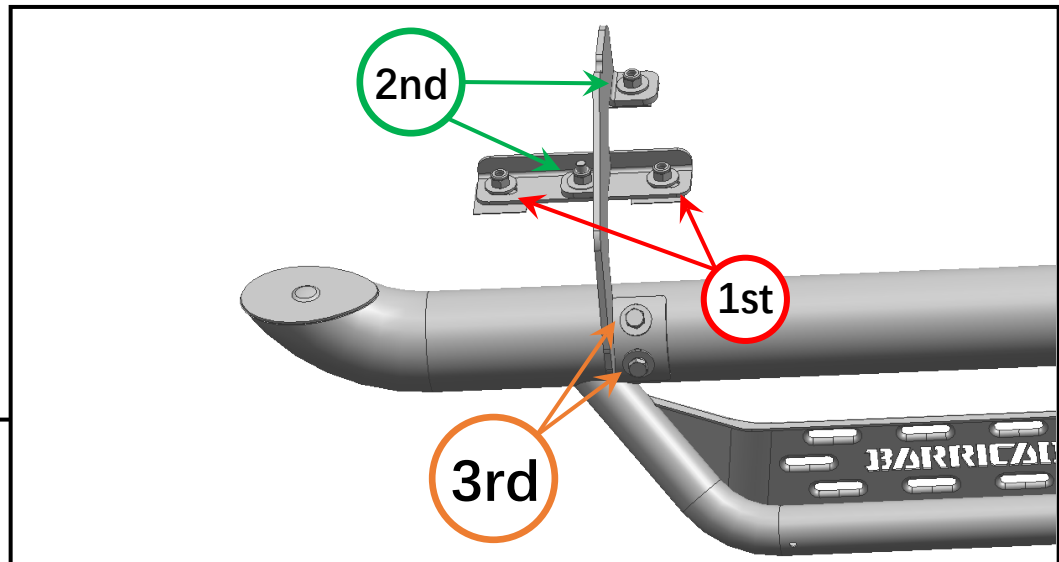
Repeat this step for all step brackets.

STEP 5



With all brackets loosely mounted to the vehicle, fit the side step onto the brackets, and loosely secure into place using (6) M8 x 25mm combo bolts.

STEP 6



Tighten the mounting brackets to the vehicle. Adjust the side step to the desired angle, and tighten the M8 combo bolts to secure the step into place. See photo for tightening order visual.

Repeat steps 1-6 for the remaining side step.

Installation is now complete.