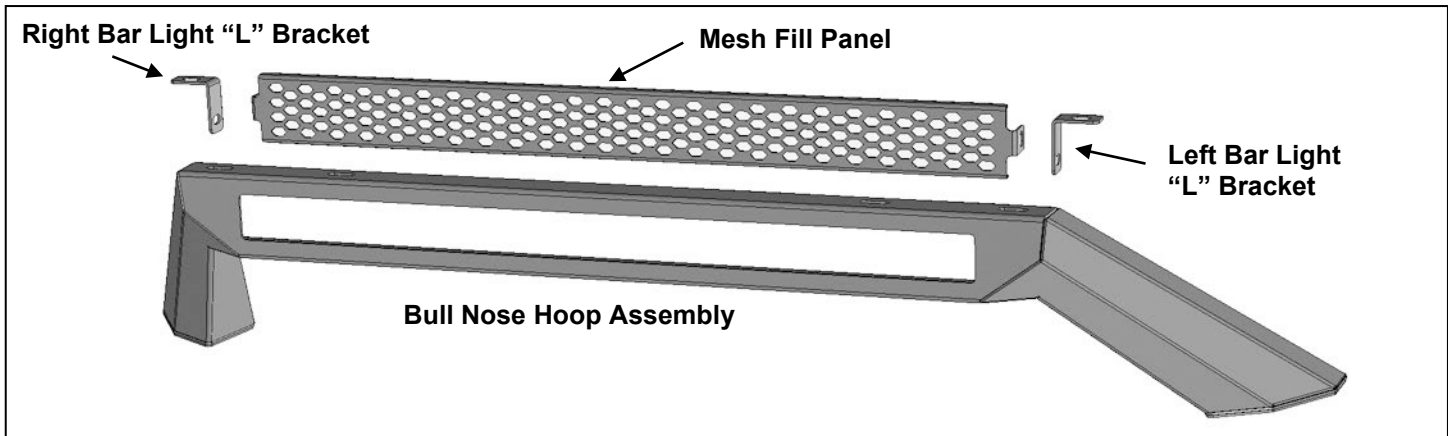


PARTS LIST:

1	HD-3 HD Bull Nose Hoop Assembly	2	8-1.25mm x 16mm Hex Bolts
1	Mesh Fill Panel	14	8mm x 24mm x 2mm Flat Washers
1	Driver/left "L" Light Bar Bracket	10	8mm Lock Washers
1	Passenger/right "L" Light Bar Bracket	4	8mm Hex Nuts
4	8-1.25mm x 25mm Button Head Bolts	4	8mm Flange Nuts
4	8-1.25mm x 25mm Hex Bolts	1	5mm Wrench

**PROCEDURE:**

REMOVE CONTENTS FROM BOX. VERIFY ALL PARTS ARE PRESENT. READ INSTRUCTIONS CAREFULLY BEFORE STARTING INSTALLATION. ASSISTANCE IS RECOMMENDED.

1. Remove the (4) rubber plugs from the top of the Bumper, **(Figure 1)**.
2. Carefully unwrap the Bull Nose assembly. Attach Bull Nose assembly to top of Bumper with the included (4) 8mm x 25mm Button Head Bolts, (4) 8mm Lock Washers, (4) 8mm Flat Washers and (4) 8mm Flange Nuts, **(Figure 1)**. Check alignment and fully tighten hardware.
3. Determine if accessory light, (not included), or Mesh Fill Panel will be installed at this time. **NOTE:** Bull Nose assembly is designed to be compatible with most Bar Style LED lights, individual cube lights or any individual accessory light with a maximum of 8mm or 5/16" mounting hardware. Modifying the Bull Nose assembly for hardware larger than 8mm (5/16") will damage the finish and is not recommended.

LED bar style light installation, (light not included).

 - a. Select the driver/left "L" Light Bracket, **(Figure 2)**. Attach the Bracket to the mounting tab on the top of the Bull Nose Light Mount with the included (1) 8mm x 25mm Hex Bolt, (2) 8mm Flat Washers, (1) 8mm Lock Washer and (1) 8mm Hex Nut. Leave loose at this time. Repeat this Step to attach the passenger/right side Bracket.
 - b. Attach the LED light to the "L" Brackets with the hardware included with the light or the included (2) 8mm x 16mm Hex Bolts, (2) 8mm Lock Washers and (2) 8mm Flat Washers, **(Figure 3)**. Do not fully tighten hardware at this time.
 - c. Follow light manufacturer's instructions to properly wire the light.

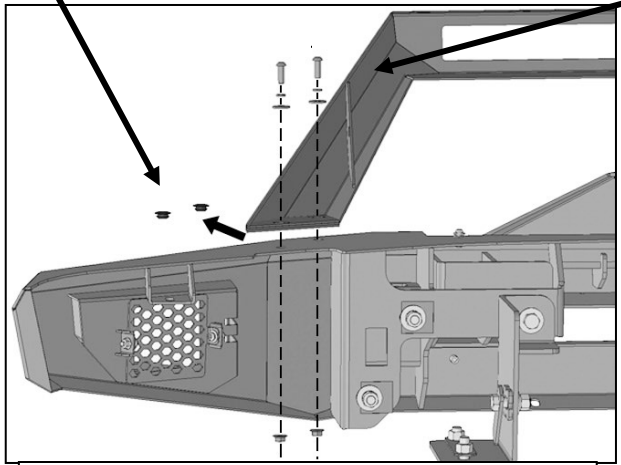
Center Fill Panel Installation (do not install Fill Panel with light).

 - a. Repeat the previous **Step** to install the (2) "L" Brackets, **(Figure 2)**.
 - b. Attach the Center Fill Panel to the "L" Brackets with the included (2) 8mm x 25mm Hex Bolts, (4) 8mm Flat Washers, (2) 8mm Lock Washers and (2) 8mm Hex Nuts, **(Figure 4)**.
 - c. Push Fill Panel up against the back of the Bumper and fully tighten hardware.
4. Do periodic inspections to the installation to make sure that all hardware is secure and tight.

To protect your investment, do not use any type of polish or wax that may contain abrasives that could damage the finish. Mild soap may be used to clean the Bull Nose assembly.

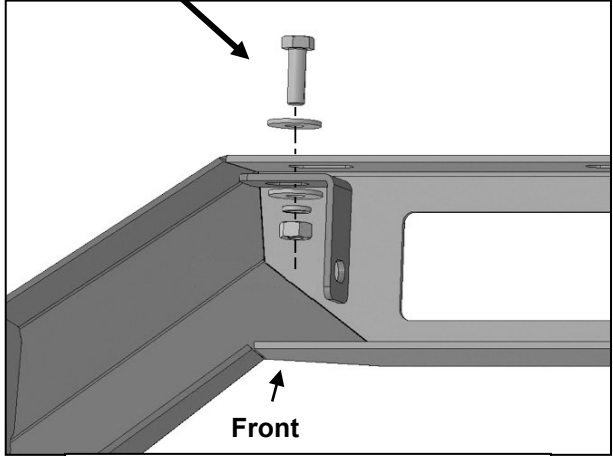
Rubber Plugs

- (2) 8mm x 25mm Button Head Bolts
- (2) 8mm Lock Washers
- (2) 8mm Flat Washers
- (2) 8mm Flange Nuts



(Fig 1) Remove rubber plugs to attach Bull Nose Hoop assembly to top of Bumper

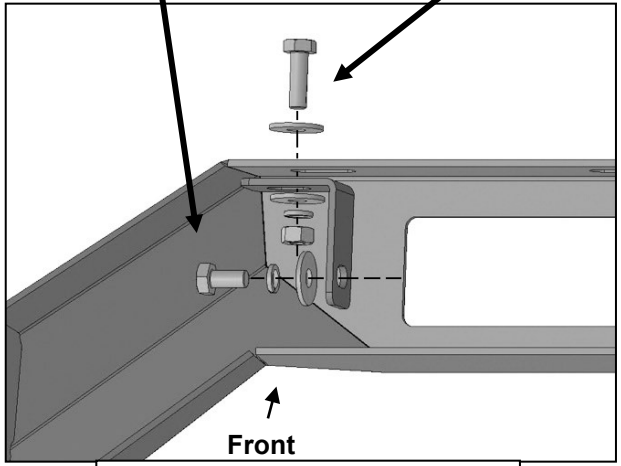
- 8mm x 25mm Hex Bolt
- (2) 8mm Flat Washers
- 8mm Lock Washer
- 8mm Hex Nut



(Fig 2) Attach "L" Brackets to inside of Bull Nose Hoop assembly

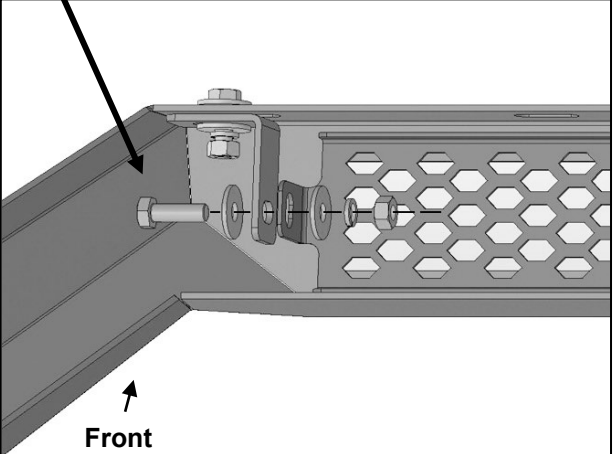
Attach light to Brackets with hardware included with light bar or the included:
 8mm x 16mm Hex Bolt
 8mm Lock Washer
 8mm Flat Washer

- 8mm x 25mm Hex Bolt
- (2) 8mm Flat Washers
- 8mm Lock Washer
- 8mm Hex Nut



(Fig 3) Attach LED light (light not included) to "L" Brackets

- 8mm x 25mm Hex Bolt
- (2) 8mm Flat Washers
- 8mm Lock Washer
- 8mm Hex Nut



(Fig 4) Attach Mesh Fill Panel to "L" Brackets (do not install Fill Panel with LED light)