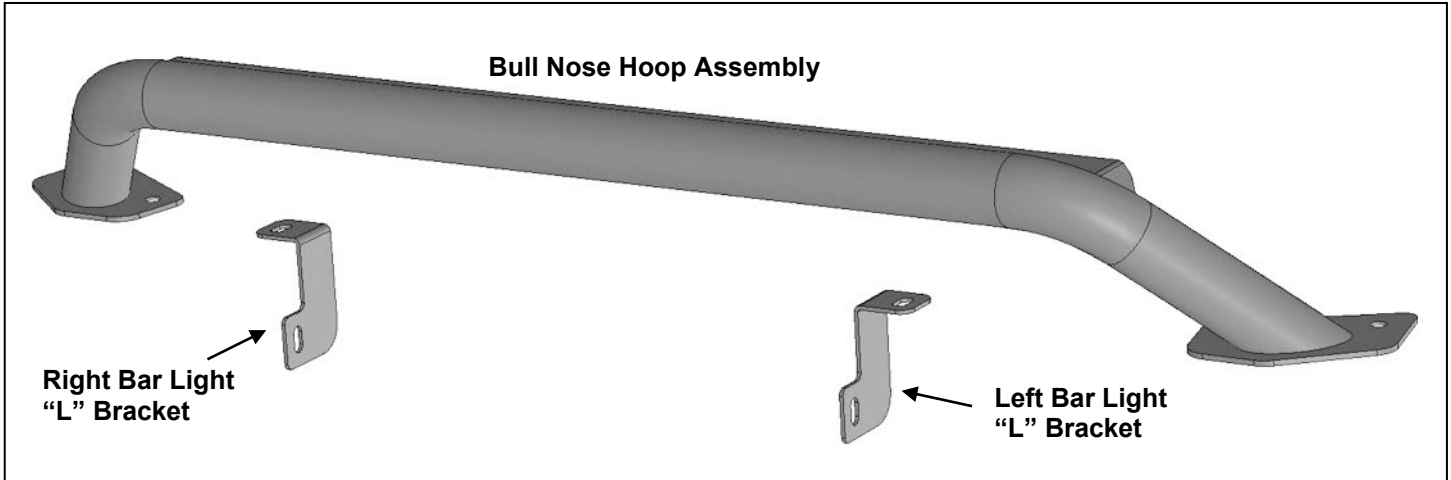


**PARTS LIST:**

1	HD-4 Bull Nose Hoop Assembly	2	8-1.25mm x 16mm Hex Bolts
1	Driver/left "L" Light Bar Bracket	14	8mm x 24mm x 2mm Flat Washers
1	Passenger/right "L" Light Bar Bracket	8	8mm Lock Washer
4	8-1.25mm x 25mm Button Head Bolts	6	8mm Hex Nut
2	8-1.25mm x 25mm Hex Bolts	1	5mm Wrench

**PROCEDURE:**

**REMOVE CONTENTS FROM BOX. VERIFY ALL PARTS ARE PRESENT. READ INSTRUCTIONS CAREFULLY BEFORE STARTING INSTALLATION. ASSISTANCE IS RECOMMENDED.**

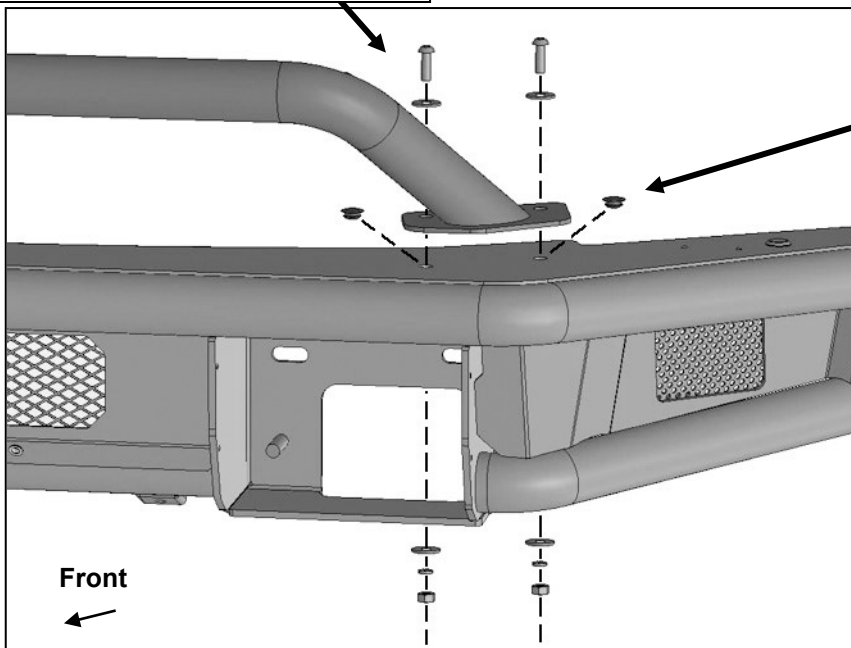
1. Remove the (4) rubber plugs from the top of the Bumper, **(Figure 1)**.
2. Carefully unwrap the Bull Nose assembly. Attach Bull Nose assembly to top of Bumper with the included (4) 8mm x 25mm Button Head Bolts, (8) 8mm Flat Washers, (4) 8mm Lock Washers and (4) 8mm Hex Nuts, **(Figure 1)**. **IMPORTANT:** It may be easier to attach the Bull Nose assembly to the Bumper before installing Bumper. Check alignment and fully tighten hardware.
3. Determine if accessory lights, (not included), will be installed at this time. **NOTE:** Bull Nose assembly is designed to be compatible with most Bar Style LED lights, individual cube lights or any individual accessory light with a maximum of 8mm or 5/16" mounting hardware. Modifying the Bull Nose assembly for hardware larger than 8mm (5/16") will damage the finish and is not recommended.

**LED bar style light installation (light not included).**

- a. Measure mounting slot width on Bull Nose Hoop before purchasing light to verify fitment.
  - b. Select the driver/left "L" Light Bar Bracket, **(Figure 2)**. **NOTE:** "L" Brackets are offset to adjust for different widths of LED Bar Lights and can be installed on either side as needed.
  - c. Attach the "L" Bracket to the slot on the back of the Bull Nose assembly with (1) 8mm x 25mm Hex Bolt, (2) 8mm Flat Washers, (1) 8mm Lock Washer and (1) 8mm Hex Nut, **(Figure 2)**. Repeat this Step to install the remaining "L" Bracket. **IMPORTANT:** The Bull Nose assembly features slots designed for top or hanging light installation.
  - d. Attach the light to the "L" Brackets with the included (2) 8mm x 16mm Hex Bolts, (2) 8mm Lock Washers and (2) 8mm Flat Washers or use the hardware included with the light, **(Figure 2)**. Do not fully tighten hardware at this time.
4. Do periodic inspections to the installation to make sure that all hardware is secure and tight.

**To protect your investment,** Do not use any type of polish or wax that may contain abrasives that could damage the finish. Mild soap may be used to clean the Bull Nose assembly.

- (4) 8mm x 25mm Button Head Bolts
- (8) 8mm Flat Washers
- (4) 8mm Lock Washers
- (4) 8mm Hex Nuts

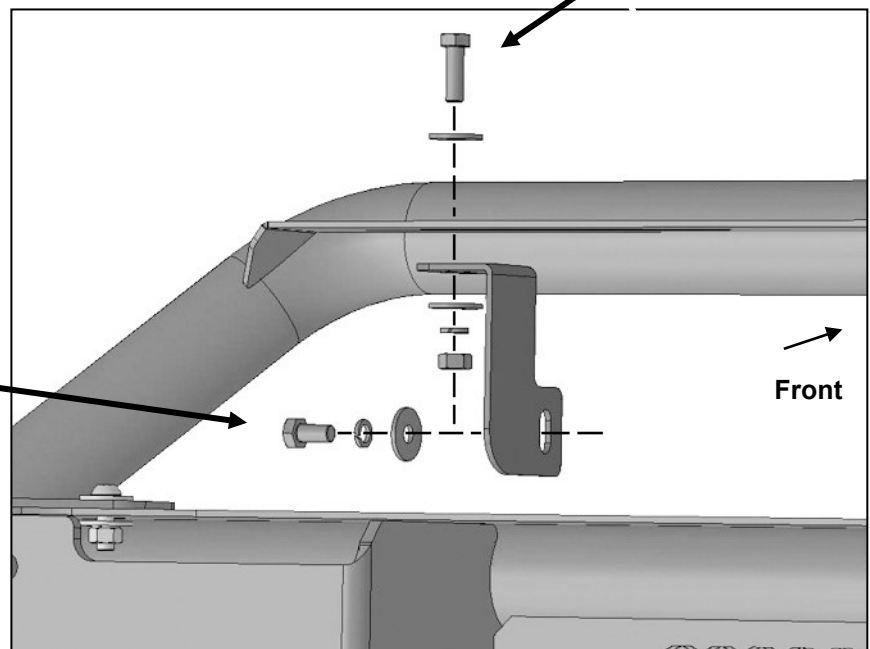


Rubber Plugs

(Fig 1) Remove rubber plugs to attach Bull Nose Hoop assembly to top of Bumper

- 8mm x 25mm Hex Bolt
- (2) 8mm Flat Washers
- 8mm Lock Washer
- 8mm Hex Nut

- Attach light to Brackets with hardware included with light bar or the included:
- (2) 8mm x 16mm Hex bolts
  - (2) 8mm Lock Washers
  - (2) 8mm Flat Washers



(Fig 2) Attach "L" Brackets to top or bottom of Bull Nose Hoop assembly