



6-INCH RUNNING BOARDS

2015-2023+ F150 SUPER CAB

2017-2023+ F250/ F350/ F450/ F550 SUPER DUTY CAB

INSTALLATION INSTRUCTIONS

CONTENTS

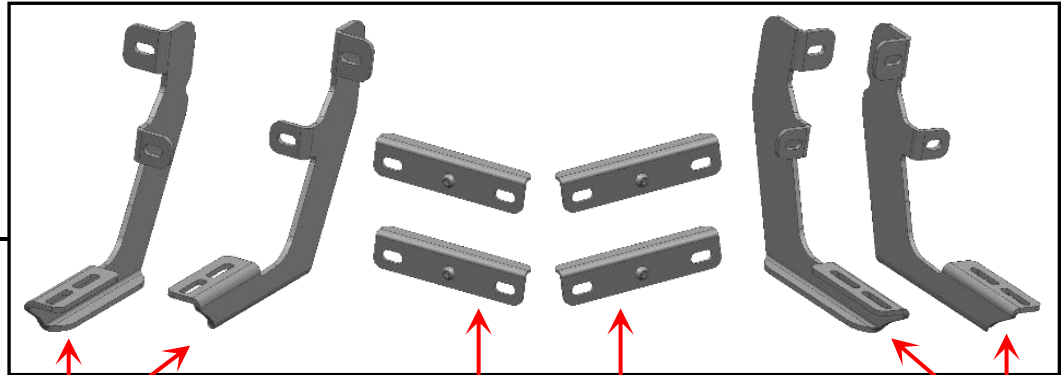
- (1) LH Running Board
- (1) RH Running Board
- (3) LH Step Brackets [DF, DC, DR]
- (3) LH Reinforcement Brackets [DF, DC, DR]
- (3) RH Step Brackets [PF, PC, PR]
- (3) RH Reinforcement Brackets [PF, PC, PR]
- (18) M8 Plastic Washers
- (24) M8 x 24mm OD x 2mm Flat Washers
- (24) M8 Nylon Lock Nuts
- (12) M8 x 25mm Combo Bolts

TOOLS REQUIRED

- 13mm
- Sockets/Wrenches
- Ratchet

SKU # T591064
Edited:11/28/2023

STEP 1



**DRIVER
STEP BRACKETS**

**DRIVER
REINFORCEMENT
BRACKETS**

**PASSENGER
REINFORCEMENT
BRACKETS**

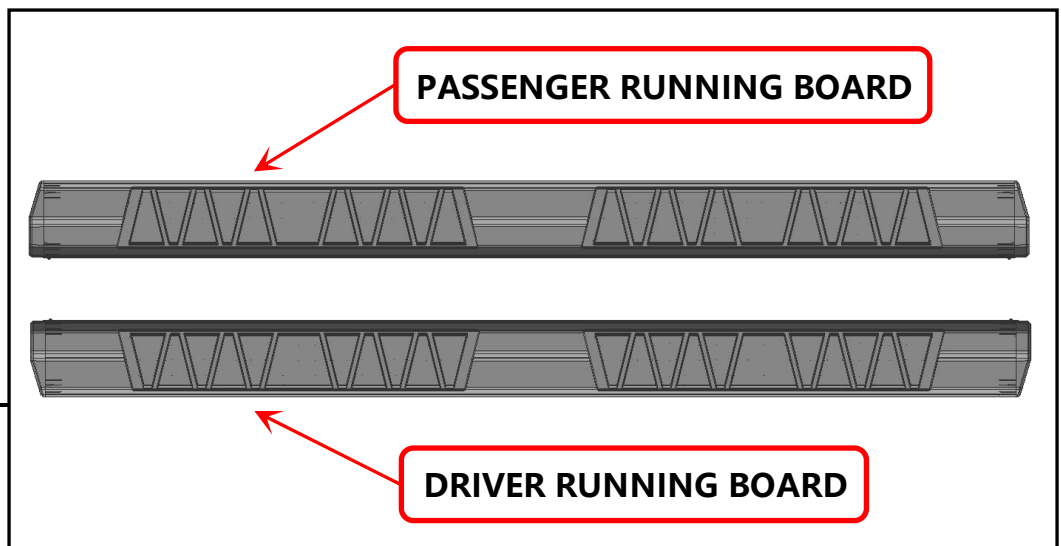
**PASSENGER
STEP BRACKETS**

Mounting Brackets look very similar but are unique. Please identify each mounting bracket using the engraved location identifier. **Notice: Both Reinforcement brackets are the same.**

DF: Driver Front
DR: Driver Rear

PF: Passenger Front
PR: Passenger Rear

STEP 2

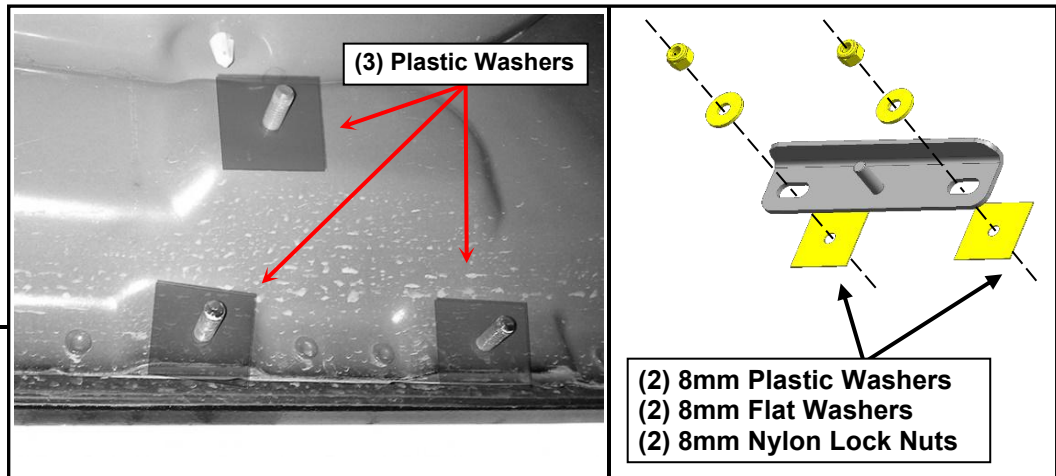


PASSENGER RUNNING BOARD

DRIVER RUNNING BOARD

Identify each side step by the front of the running board. **Notice: "D" for Driver/Left Side; "P" for Passenger/Right Side.**

STEP 3

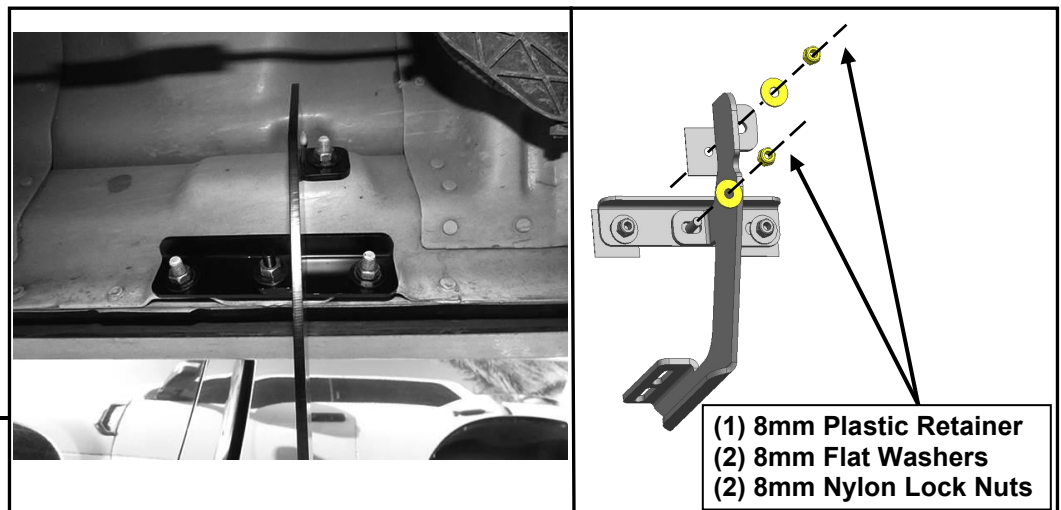


Start installation toward the front of the Passenger/Right side of the vehicle.

Slide (1) Plastic Washer over each of the (3) factory mounting studs in the body panel.

Loosely fit the Passenger Front reinforcement bracket to the (2) lower studs using (2) M8 Plastic Washers, (2) M8 x 24mm flat washers, and (2) M8 nylon lock nuts. Do not fully tighten to allow for later adjustments. Repeat this step for all reinforcement brackets.

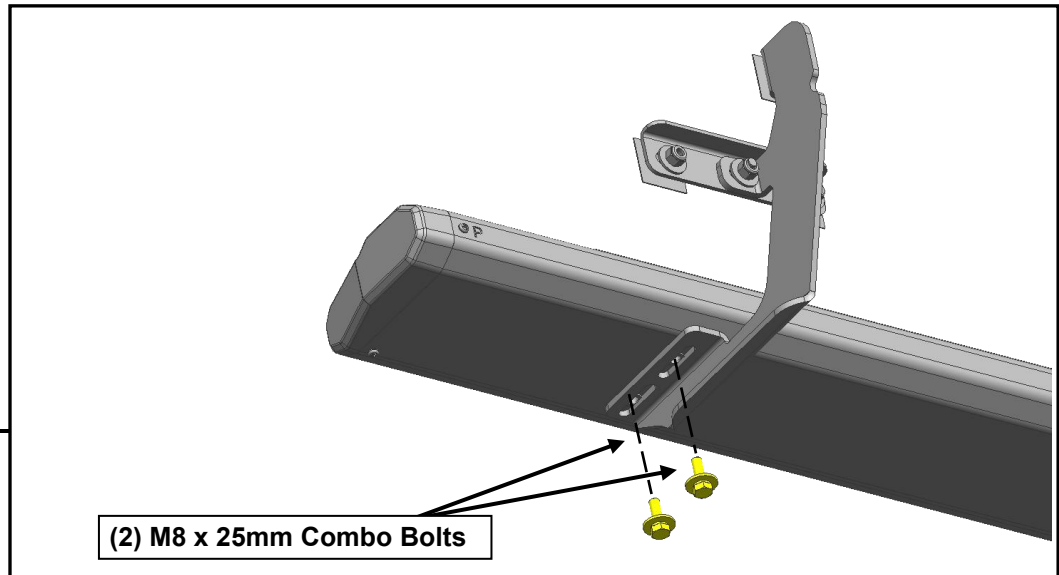
STEP 4



Loosely attach the (1) Passenger step bracket to the upper factory mounting stud and the (1) Passenger reinforcement bracket using (1) M8 plastic washer, (2) M8 flat washers, and (2) M8 nylon lock nuts.

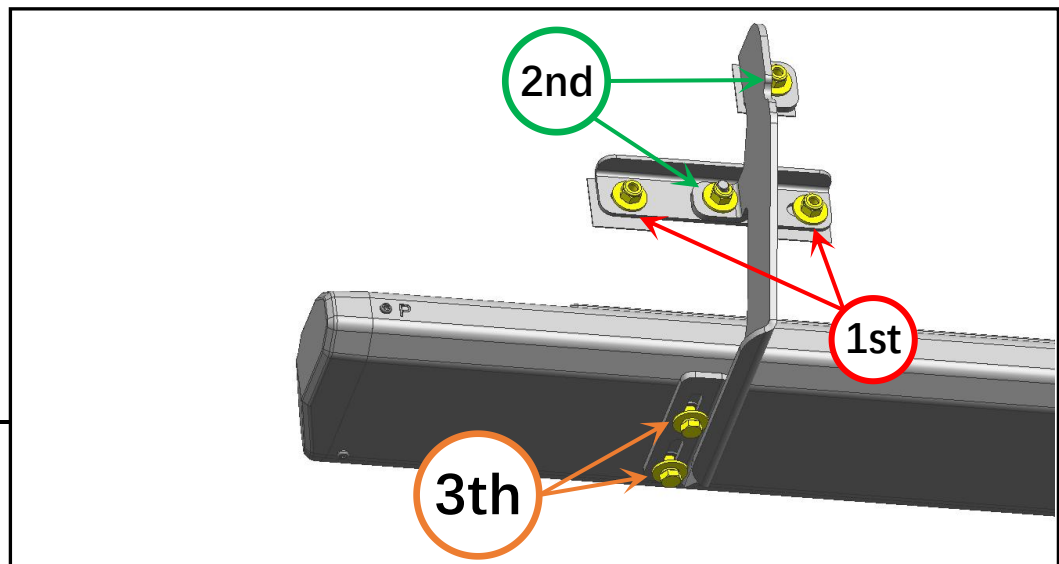
Repeat this step for all step brackets.

STEP 5



With all brackets loosely mounted to the vehicle, fit the Running Board onto the brackets, and loosely secure into place using (6) M8 x 25mm combo bolts.

STEP 6



Tighten the mounting brackets to the vehicle. Adjust the Running Board to the desired angle, and tighten the M8 combo bolts to secure the step into place. See photo for tightening order visual.

Repeat steps 1-6 for the remaining Running Board.

Installation is now complete.