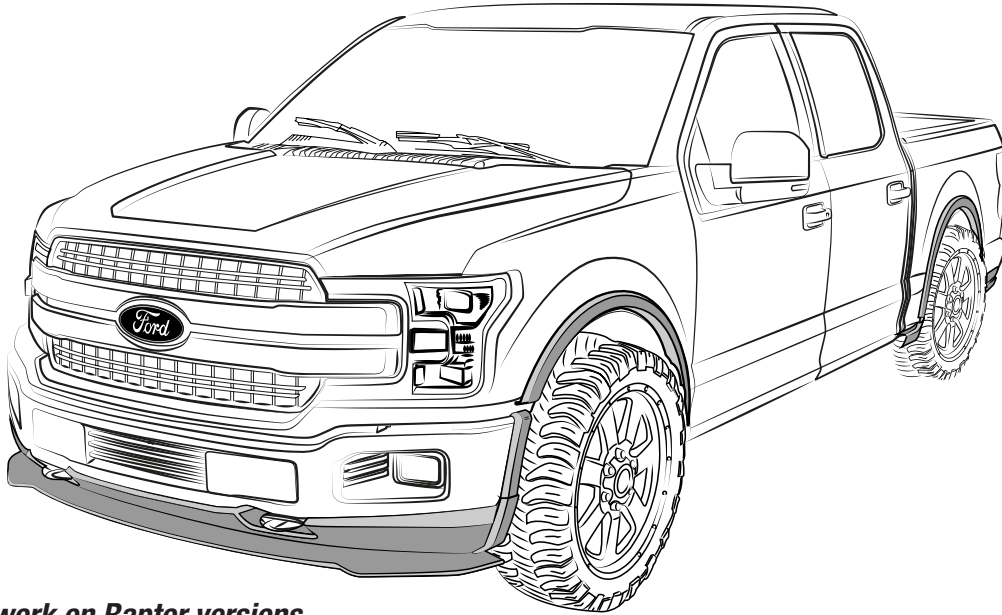




**READ CAREFULLY BEFORE
INSTALLATION**

FRONT LOWER VALANCE



** Does not work on Raptor versions*



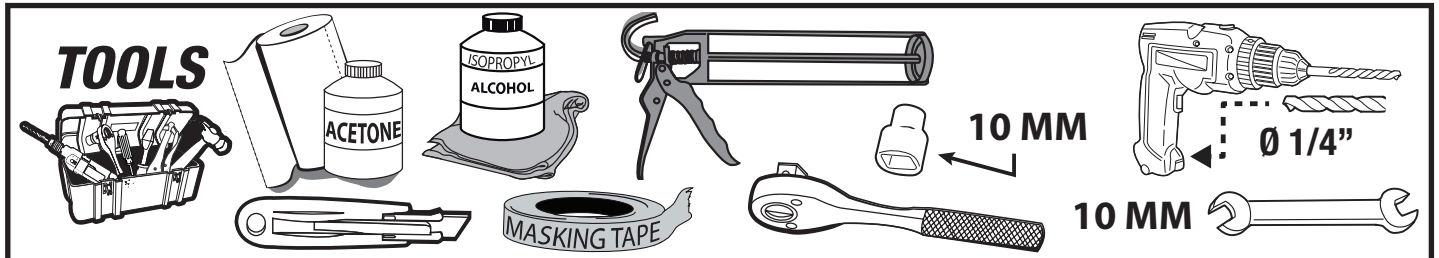
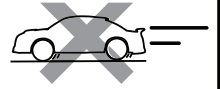
AFTER INSTALLING

DO NOT WASH CAR



24 hrs

DRIVE SLOWLY 25 mph max



CHECK LIST

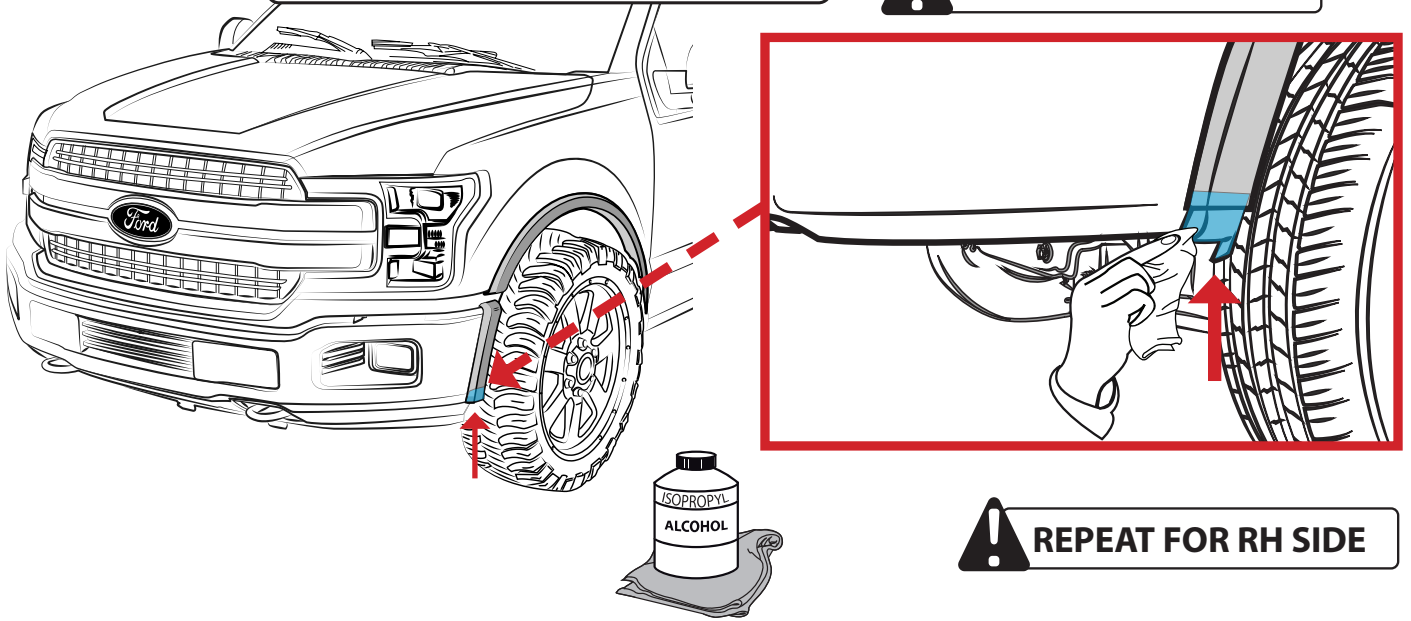
***ALREADY PRE-INSTALLED ON THE PART**

| ITEM | DESCRIPTION | DRAWING | AMOUNT |
|------|---|---------|-----------------------|
| A | *VHB TAPE | | INCLUDED IN ALL PARTS |
| B | HEX. STAINLESS STEEL SCREW 6 X 20 MM | | 11 PCS |
| C | STAINLESS WASHER 1/4' | | 22 PCS |
| D | STAINLESS LOCKNUT 6 MM | | 11 PCS |
| E | PUSH PIN 501 111 46 | | 2 PCS |
| F | POLYURETHANE ADHESIVE | | 1 PC |

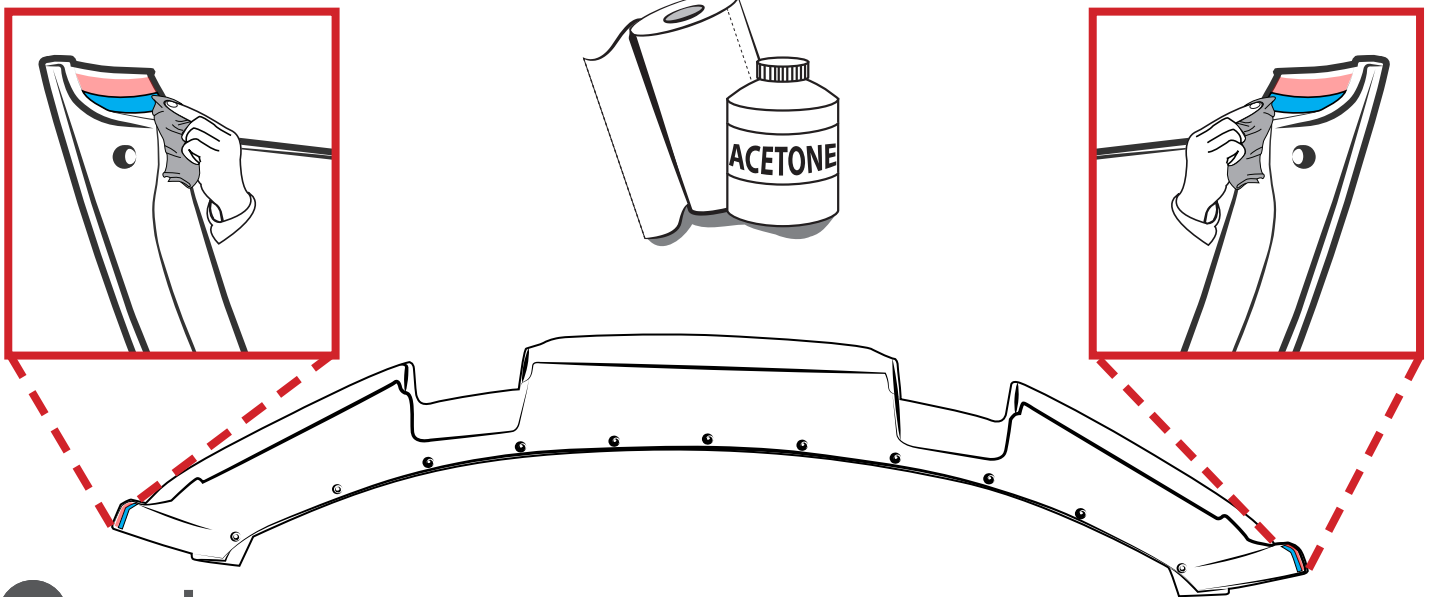
1 CLEAN

AFTER INSTALLING FENDER FLARES

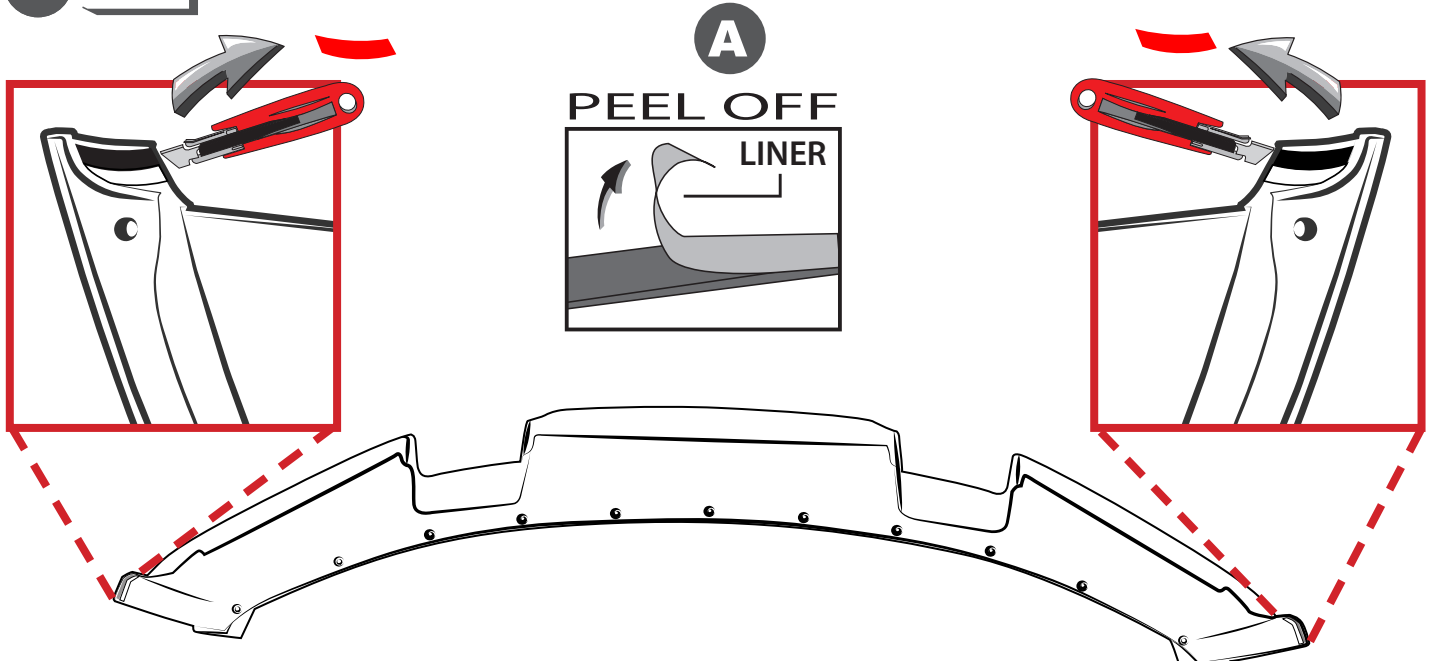
CLEAN THE EDGE



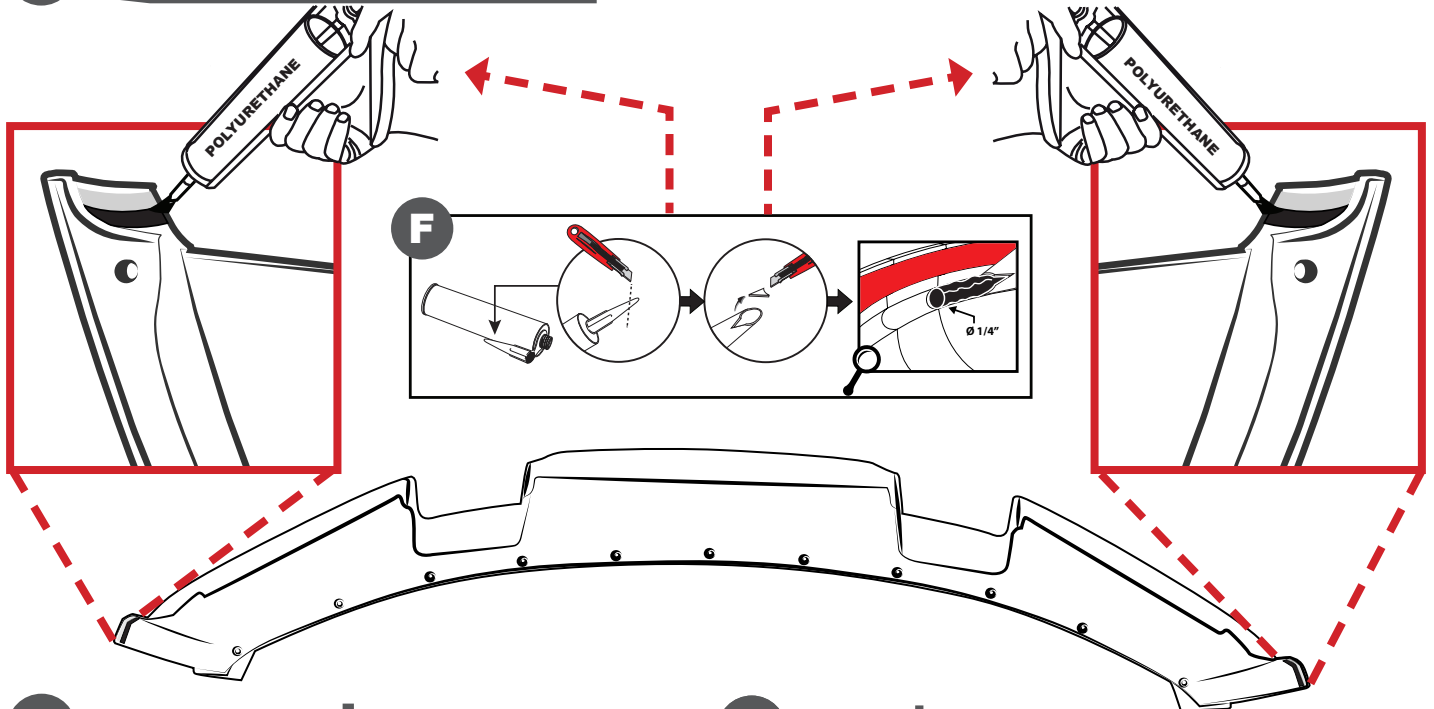
2 CLEAN INNER CHANNEL



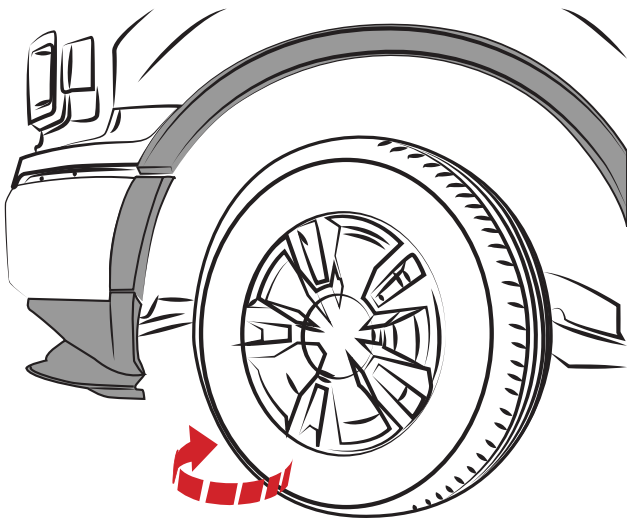
3 PEEL



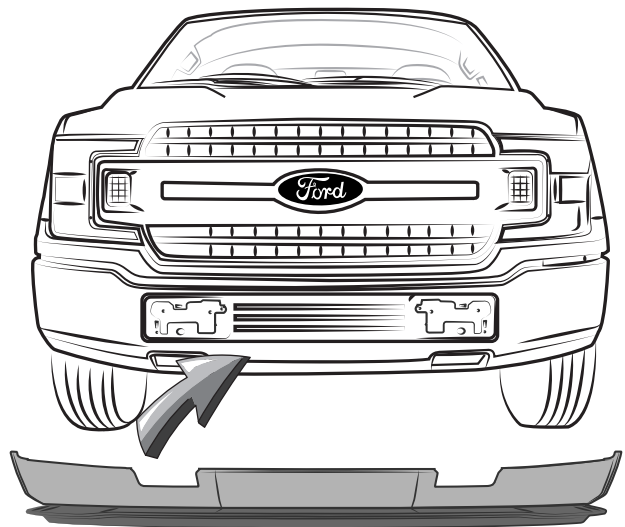
4 APPLY POLYURETHANE ADHESIVE



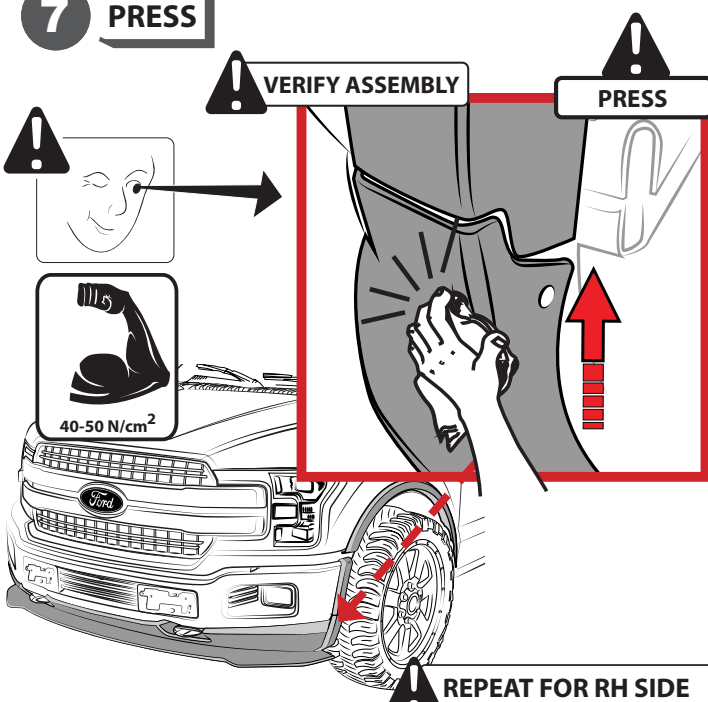
5 ROTATE THE TIRE



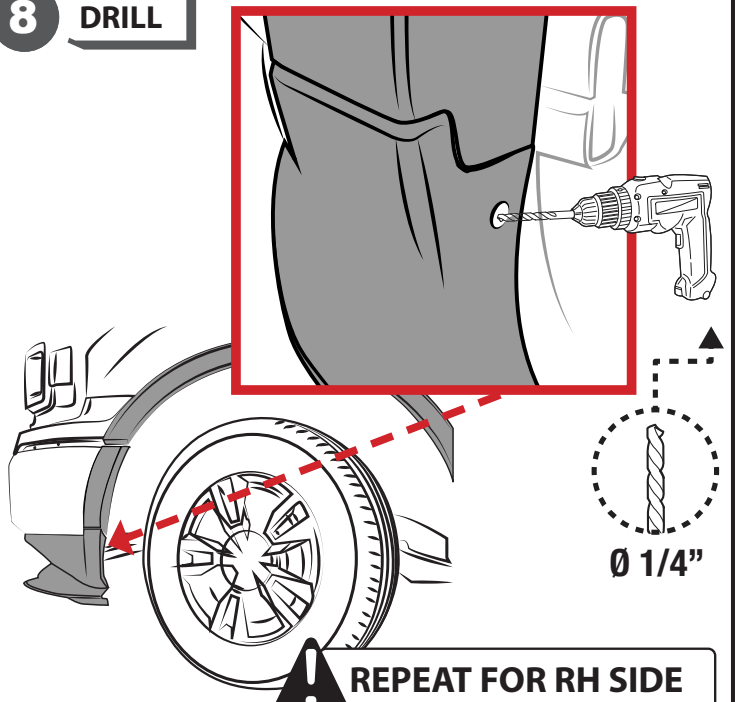
6 PLACE



7 PRESS

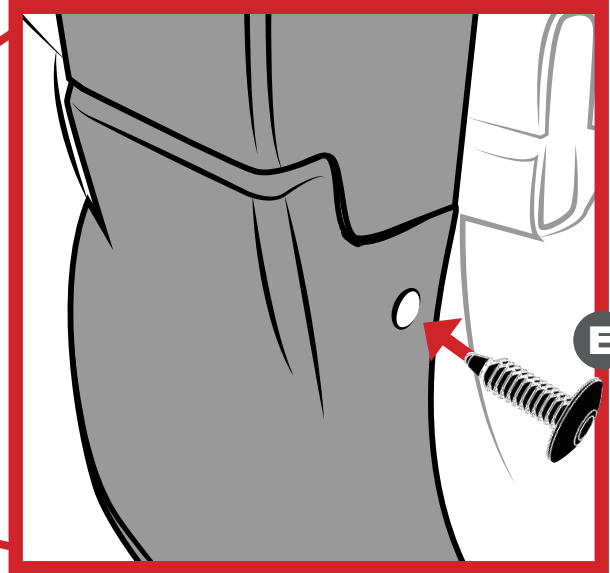
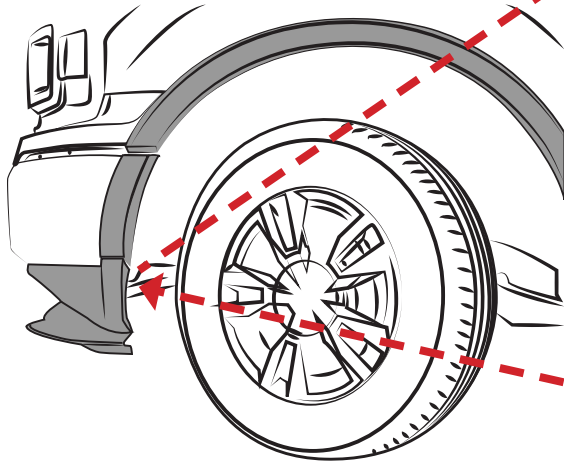


8 DRILL



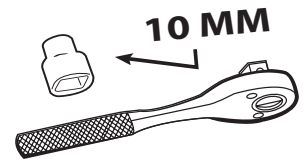
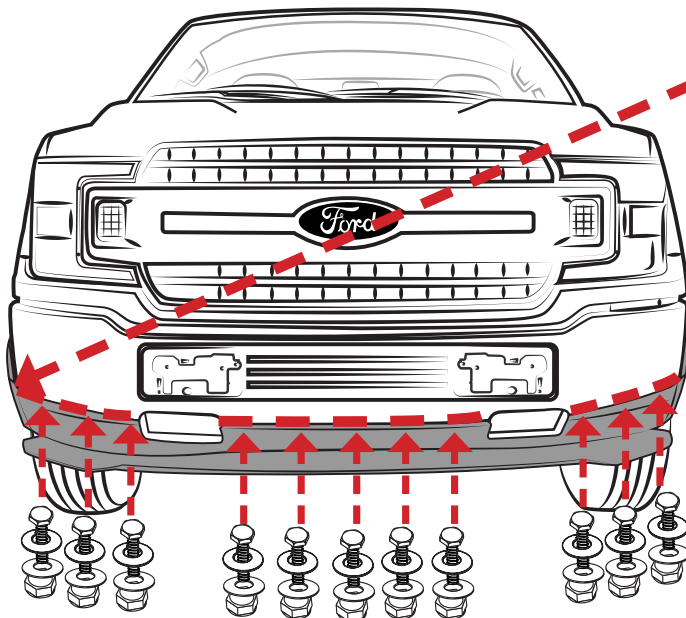
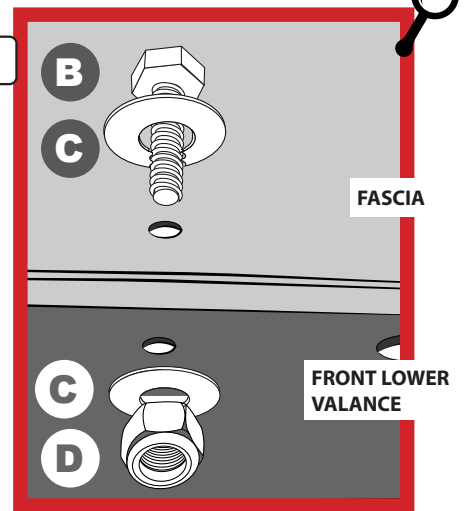
9 PLACE PUSH PIN

! REPEAT FOR RH SIDE



10 SCREW

! INNER VIEW



11 PLACE PLASTIC COVER

INSTALLED PART

