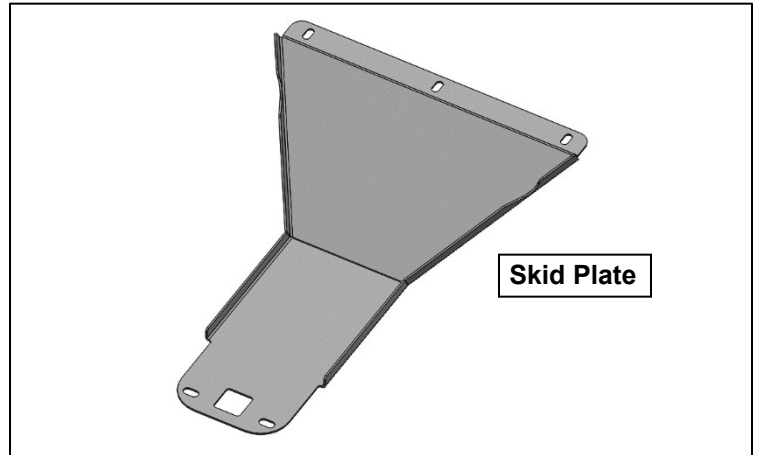


Installation Instructions

PARTS

Qty	Item Description
1	Skid Plate
3	10-1.25mm x 30mm Button Head Allen Bolts
3	10mm x 27mm x 3mm Flat Washers
3	10mm Lock Washers
1	Allen Wrench S=6



Lock
Washer



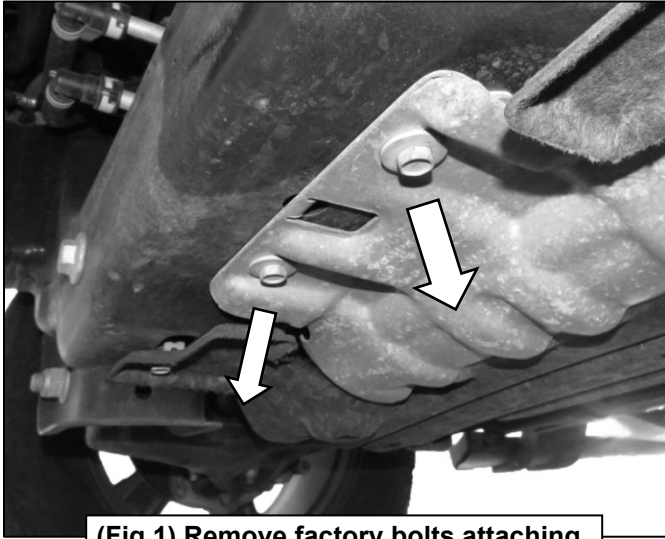
Flat
Washer



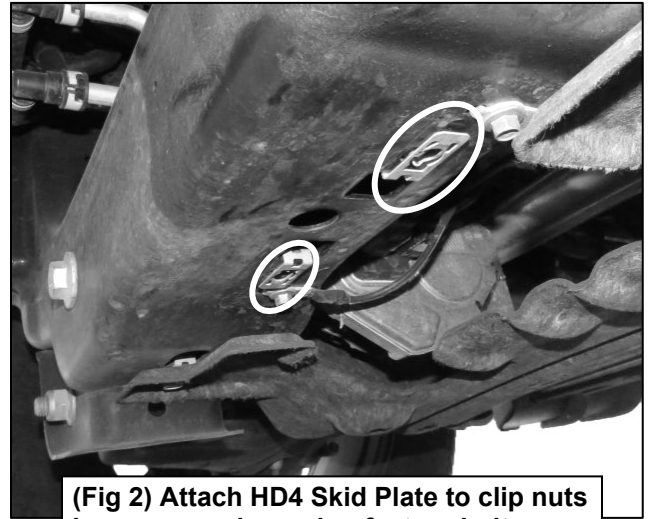
Button Head
Allen Bolt

1

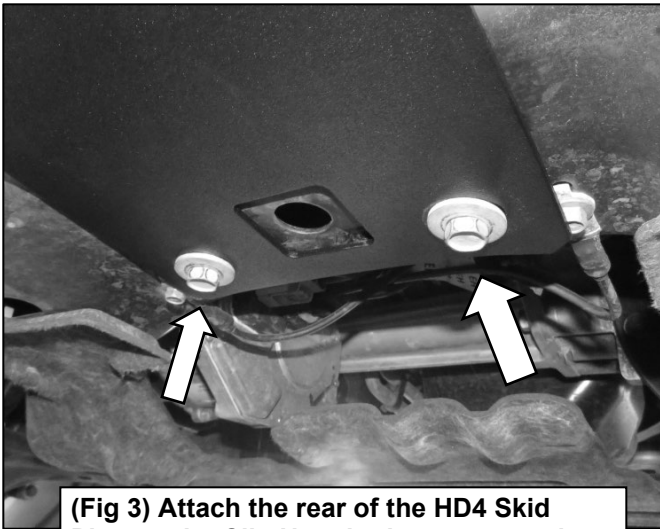
Follow (Fig 1 – 4) to remove factory skid plate and attach Skid Plate. Ensure fasteners are only hand tight at this point.



(Fig 1) Remove factory bolts attaching factory skid plate to crossmember

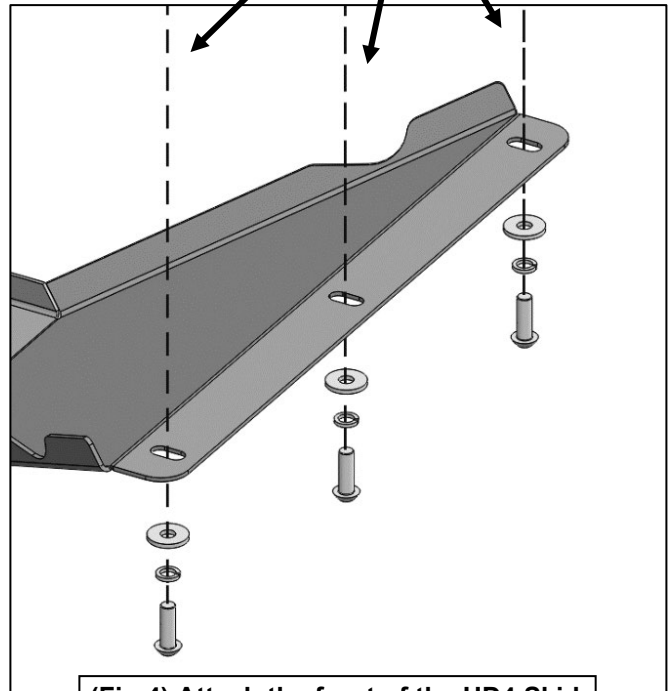


(Fig 2) Attach HD4 Skid Plate to clip nuts in crossmember using factory bolts



(Fig 3) Attach the rear of the HD4 Skid Plate to the Clip Nuts in the crossmember.

- (3) 10mm Button Head Allen Bolts**
- (3) 10mm Lock Washers**
- (3) 10mm Flat Washers**



(Fig 4) Attach the front of the HD4 Skid Plate to the bottom of the Bumper

2

Ensure Skid Plate is level, then tighten all fasteners completely. At this point, installation is complete. Do periodic inspections of the installation to make sure that all hardware is secure and tight.

