



P/N: F451-C & F452-C

INSTRUCTIONS PACKET

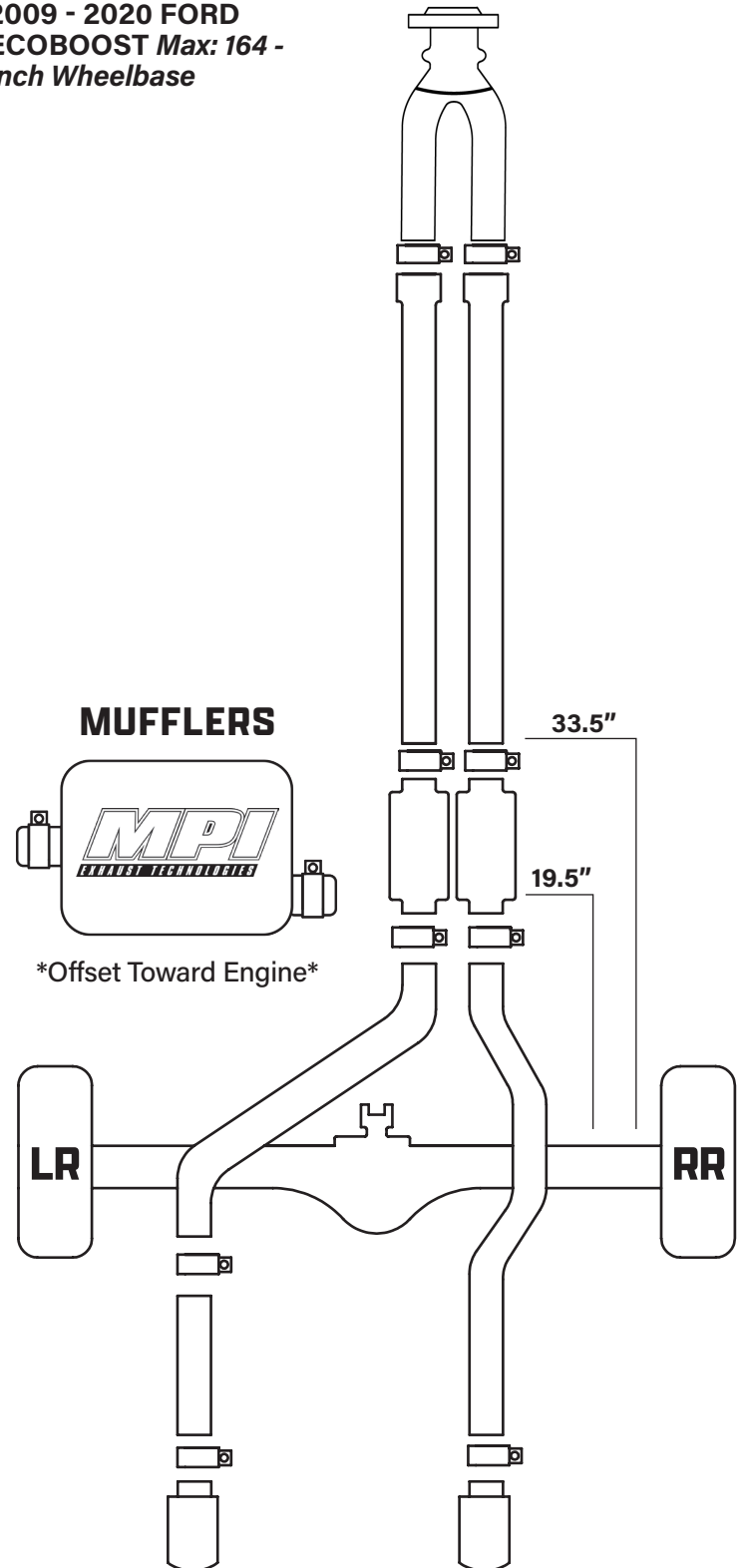
2009 - 2020 FORD ECOBOOST
Max: 164 - Inch Wheelbase

F4-12



1. Unbolt the factory system starting at the 2 bolt flange - new bolts and nuts are provided. remove factory system leave Rubber on factory mounts.
2. Anti-seize Factory ball surface and Flange mount on Pulse Camber.
3. Remove the rear factory head pipe hanger block with a 10mm bolt. Clips will be used on the left rear hanger if a hole is present from the factory.
4. Install the right side head pipe, then trim to the wheelbase (view diagram). Snug the clamps as you go, but don't tighten them completely yet.
5. Install the right side muffler, ensuring that the rear muffler measurement is correct to ensure proper tailpipe placement with the offset toward the front.
6. Repeat the last two steps for the left side installation.
7. Install the hanger head pipe hanger and then finally tighten all the clamps to this point.
8. Install the right rear tail pipe level, and then clamp it.
9. Install the right rear hanger and then install the tips, ensuring they are level and properly placed.
10. Use an MPI wire tie to secure the brake lines and breather lines together.
11. Install the axle pipe and left rear tail pipe, ensuring proper clearance for the spare tire and rear-end travel.
12. Install the left rear hanger, using a bolt MPI - 3/8-1.5 or 10mm from the head pipe if the factory clip hole is available.
13. Install the left rear tip, checking the level and position to match the right rear tip.
14. Clean fingerprints off the tips with glass cleaner and clean the pipes with brake cleaner.

2009 - 2020 FORD
 ECOBOOST Max: 164 -
 Inch Wheelbase



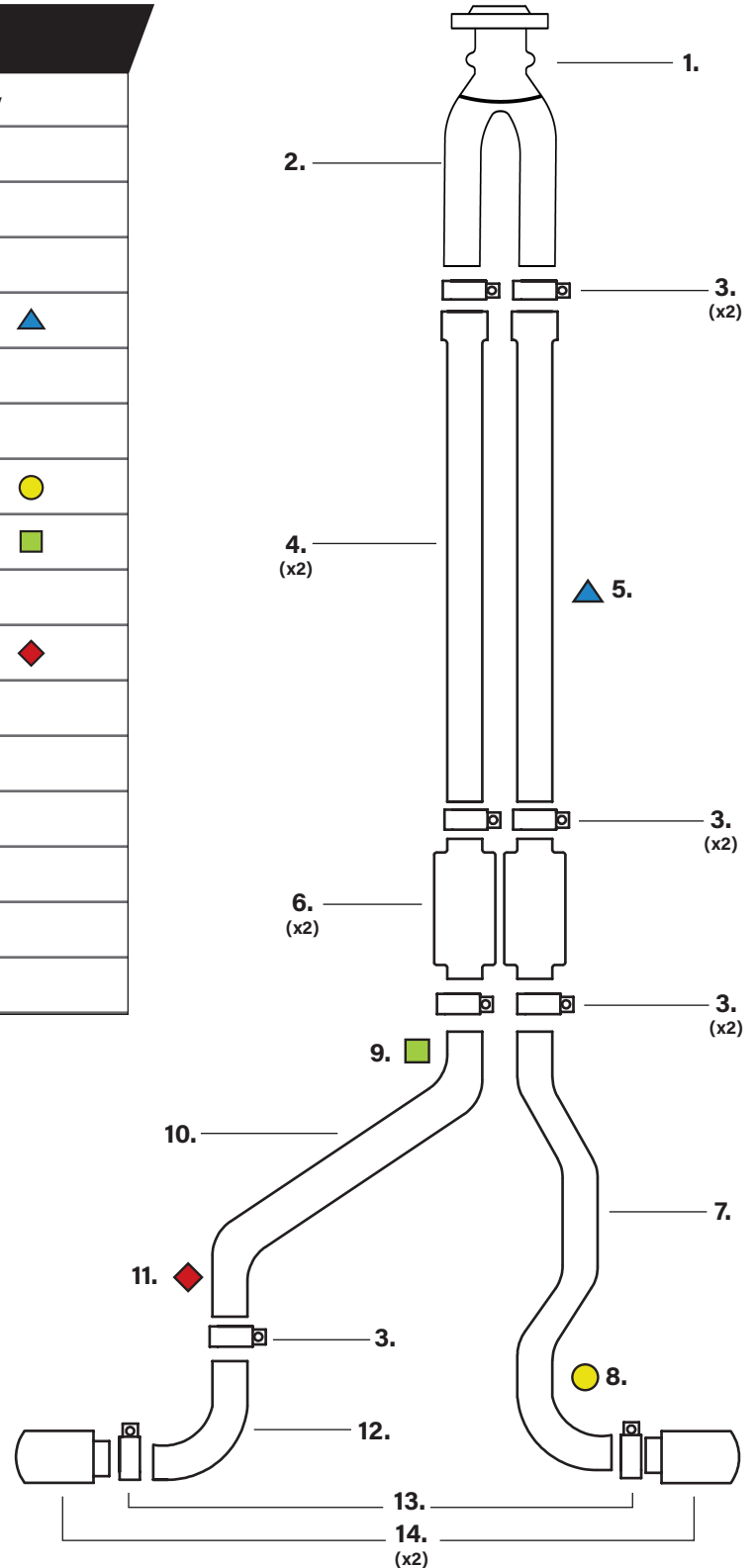
PARTS DIAGRAM

2009 - 2020 FORD ECOBOOST
Max: 164 - Inch Wheelbase

ITEM	QTY	PART NO.	DESCRIPTIONS
1.	2	MPI - M10-1.5	OEM Bolt Assembly
2.	1	MPI - PC24	Pulse Chamber
3.	7	MPI - SC250	Clamp - Std.
4.	2	MPI - 0 - 60	Head Pipes
5.	1	Hanger - 69	Head Pipe Hanger ▲
6.	1	—	Muffler Pack
7.	1	MPI - 66	Right Side Tail Pipe
8.	1	Hanger - 70	RR Tail Pipe Hanger ●
9.	1	Hanger - 71	Axle Hanger ■
10.	1	MPI - 59	Left Side Axle Pipe
11.	1	Hanger - 72	LR Tail Pipe Hanger ◆
12.	1	MPI - 67	Left Side Tail Pipe
13.	2	MPI - BCSS250	Band Clamp
14.	2	—	Tips
15.	1	MPI-HD-003	Rubber Body
16.	2	MPI-Wire Tie	Brake Line Ties
17.	1	MPI - 3/8-1.5	LR Bolt

List is in order of installation.

MUFFLER OFFSET DIAGRAM



PARTS DIAGRAM

2009 - 2020 FORD
 ECOBOOST Max: 164 - Inch
 Wheelbase

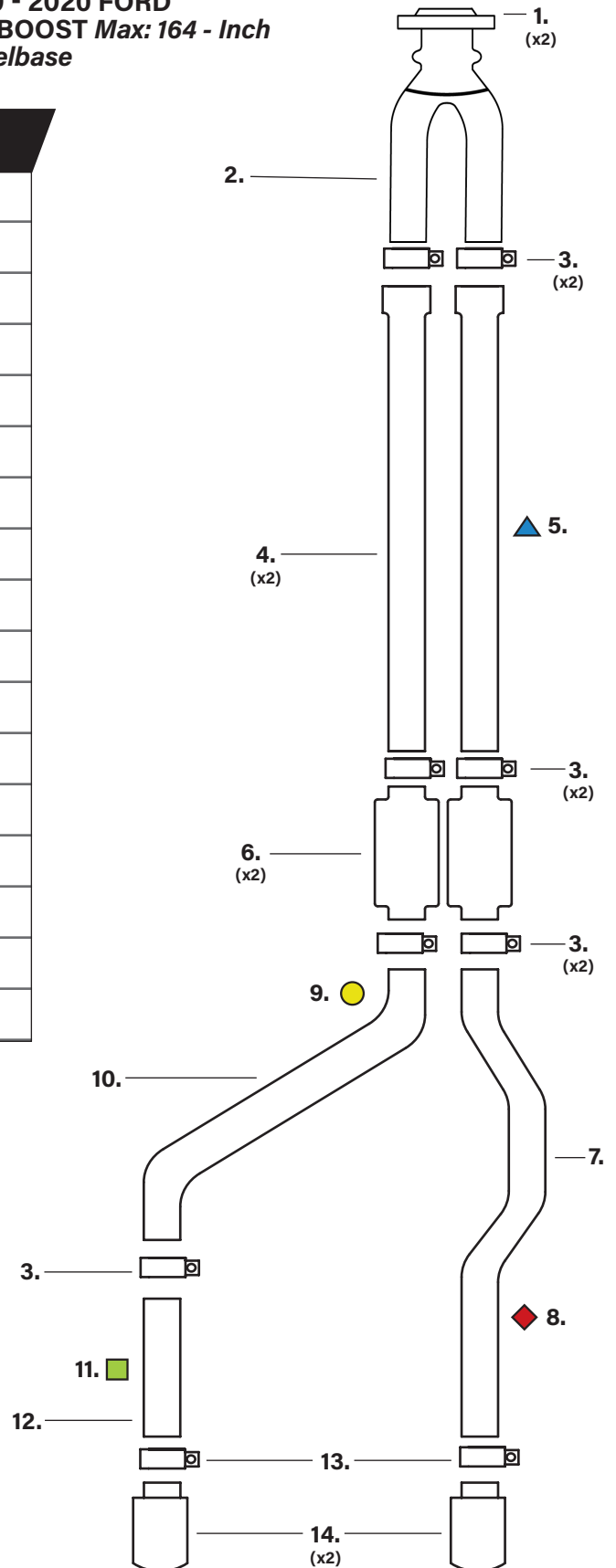
ITEM	QTY	PART NO.	DESCRIPTIONS
1.	2	MPI - M10-1.5	OEM Bolt Assembly
2.	1	MPI - PC24	Pulse Chamber
3.	7	MPI - SC250	Clamp - Std.
4.	2	MPI - 0 - 60	Head Pipes
5.	1	Hanger - 69	Head Pipe Hanger ▲
6.	1	—	Muffler Pack
7.	1	MPI - 57	Right Side Tail Pipe
8.	1	Hanger - 70	RR Tail Pipe Hanger ◆
9.	1	Hanger - 71	Axle Hanger ●
10.	1	MPI - 59	Left Side Axle Pipe
11.	1	Hanger - 72	LR Tail Pipe Hanger ■
12.	1	MPI - 58	Left Side Tail Pipe
13.	2	MPI - BCSS250	Band Clamp
14.	2	—	Tips
15.	1	MPI-HD-003	Rubber Body
16.	2	MPI-Wire Tie	Brake Line Ties
17.	1	MPI - 3/8-1.5	LR Bolt

List is in order of installation.

MUFFLER OFFSET DIAGRAM



Pat. 11713700





NEW MPI EXHAUST TIPS

BREAK-IN PROCEDURES

To ensure the MPI exhaust tips maintain their finish, follow these steps carefully to avoid any unwanted alterations:

- 1.** After installing the MPI system, clean all oils and fingerprints from the tips using a glass cleaner spray.
- 2.** Warm up the truck to full operating temperature, keeping the engine at idle without increasing RPMs. Then, allow the truck to fully cool down.
- 3.** Drive a short distance without exceeding half-throttle, varying speeds and throttle positions. DO NOT exceed ½ throttle during this time. Let the truck fully cool down before the next drive cycle.
- 4.** After this, you can drive normally but avoid full throttle for more than 10 seconds at a time.
- 5.** Avoid pulling trailers until the exhaust has been used for at least 500 miles.
- 6.** Regularly clean road salts and debris off the tips to preserve the finish.

QUESTIONS

Phone: (406) 669-3286

Email: mikespipesinc@gmail.com





WARRANTY

CUSTOMER SUPPORT AND WARRANTY INFORMATION

Thank you for choosing an MPI Exhaust Technologies System and allowing MPI Exhaust to customize your ride today! Our friendly and knowledgeable staff is here to answer any questions. Enjoy the Sound of Perfection.

QUESTIONS

ONLY contact MPI Exhaust Technologies if any products are potentially missing or damaged during shipping, or if you have any questions about the products. **Call (406) 669-3286.**



INSTALLATION

Watch the tutorial YouTube videos (scan the QR code) before installing or contacting MPI Exhaust. Our knowledgeable staff have installed hundreds of these kits.



WARRANTY

For more information scan the QR code.

CONTACT

Phone: (406) 669-3286

Email: mikespipesinc@gmail.com

