



**P/N: F124-C**

**INSTRUCTIONS PACKET**

2009-2020 FORD F150  
WITH 5.0L & 5.4L ENGINE  
*Max: 176 - Inch Maximum Wheelbase*

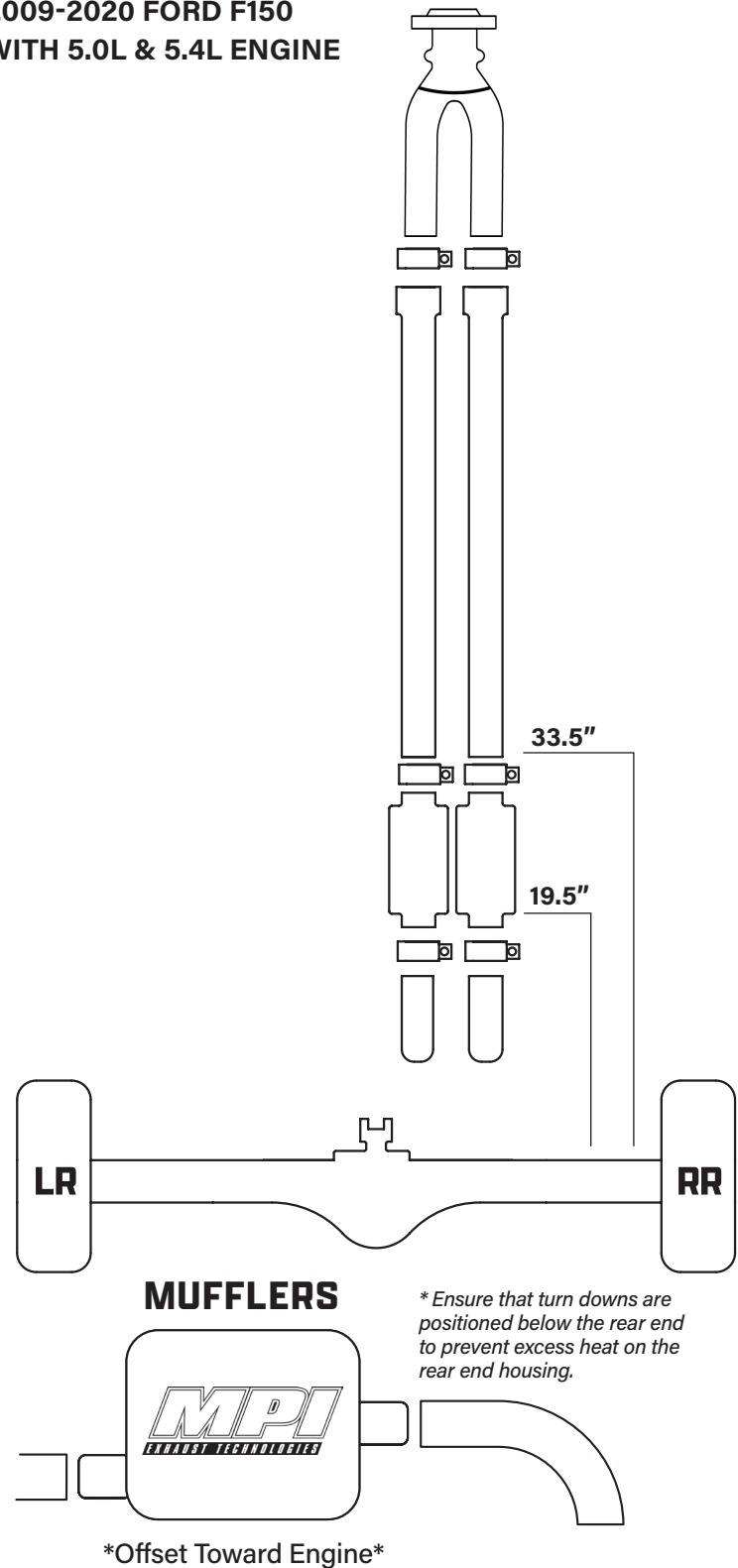
**F1-4**



## INSTRUCTION SHEET

**2009-2020 FORD F150  
WITH 5.0L & 5.4L ENGINE**

1. Unbolt the factory system starting at the 2 bolt flange - new bolts and nuts are provided. remove factory system leave Rubber on factory mounts.
2. Anti-seize Factory ball surface and Flange mount on Pulse Camber.
3. Remove the rear factory head pipe hanger block with a 10mm bolt. Clips will be used on the left rear hanger if a hole is present from the factory.
4. Install the right side head pipe, then trim to the wheelbase (view diagram). Snug the clamps as you go, but don't tighten them completely yet.
5. Install the muffler assembly, ensuring that the rear muffler measurement is correct to ensure proper tailpipe placement with the offset toward the front.
6. Install the head pipe hanger and finally tighten all clamps to this point.
7. Install the rear hanger behind the mufflers.
8. Clean fingerprints off tips with glass cleaner and clean pipes with brake cleaner.
9. When bullnose are installed, ensure proper rear end clearance.







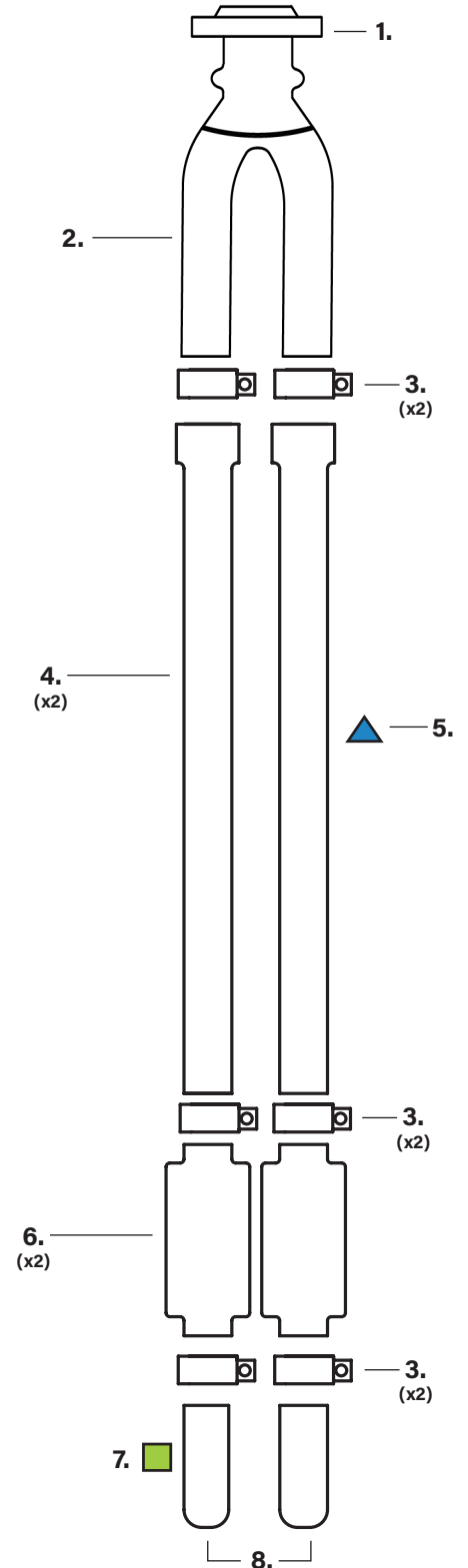
P/N: F124-C

**PARTS DIAGRAM**

2009-2020 FORD F150  
WITH 5.0L & 5.4L ENGINE

ITEM	QTY	PART NO.	DESCRIPTIONS
1.	1	MPI - M10-1.5"	Clamp - std.
2.	1	PC-23	Pulse Chamber
3.	6	MPI - SC225	Clamp - Std.
4.	2	MPI - 0 - 60	Head Pipes
5.	1	Hanger - 6	Head Pipe 
6.	2	—	Mufflers
7.	1	Hanger - 8	Right Rear Muffler 
8.	2	MPI - 1	Turn Downs

**MUFFLER OFFSET DIAGRAM**





WARRANTY



## CUSTOMER SUPPORT AND WARRANTY INFORMATION

Thank you for choosing an MPI Exhaust Technologies System and allowing MPI Exhaust to customize your ride today! Our friendly and knowledgeable staff is here to answer any questions. Enjoy the Sound of Perfection.

### QUESTIONS

**ONLY contact MPI Exhaust Technologies** if any products are potentially missing or damaged during shipping, or if you have any questions about the products. **Call (406) 669-3286.**



### INSTALLATION

Watch the tutorial YouTube videos (scan the QR code) before installing or contacting MPI Exhaust. Our knowledgeable staff have installed hundreds of these kits.



### WARRANTY

For more information scan the QR code.

### CONTACT

Phone: (406) 669-3286

Email: [mikespipesinc@gmail.com](mailto:mikespipesinc@gmail.com)

