



---

# HEAVY DUTY BED RACK

(UNIVERSAL TRUCK)

---

## INSTALLATION INSTRUCTIONS

### CONTENTS

---

- (4) Upper Mounting Brackets
- (2) Front Lower Brackets
- (2) Rear Lower Brackets
- (2) Cross Bars
- (4) T-Slot Bars
- (8) "L" Brackets
- (2) Grab Handles
- (8) Threaded Mounting Blocks
- (8) Threaded Mounting Clamps
- (8) Threaded Mounting Plates
- (8) M8x1.25 x 35mm Combo Bolts
- (12) M8x1.25 x 20mm Carrigate Bolts
- (32) M8x1.25 x 25mm Combo Bolts
- (8) M8x1.25 x 25mm Allen Bolts
- (4) M8x1.25 x 20mm Allen Bolts
- (8) M8x1.25 Square Head Studs
- (8) M8x1.25 Eyelets
- (8) M8x1.25 T-Slot Threaded Inserts
- (32) M8 Lock Washers
- (32) M8 Flat Washers
- (20) M8 Nuts
- (1) 5mm Allen Key

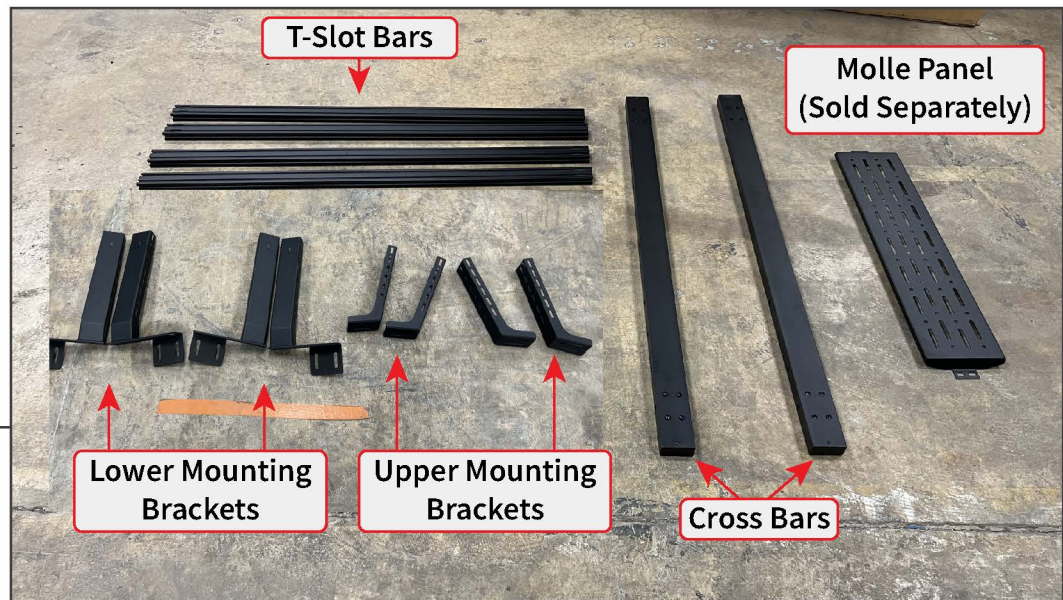
### TOOLS REQUIRED

---

- 5mm Allen Key/Socket
- 13mm Socket/Wrench
- Ratchet

SKU # T601982 / T604418

## STEP 1



Lay out and identify all bed rack components.

## STEP 2



Assemble the lower and upper mounting brackets together by fitting the upper bracket into the lower. These brackets are adjustable depending on the desired height of the bed rack.

Secure the brackets together using (3) M8 x 20mm carriage bolts, (3) M8 flat washers, (3) M8 lock washers, and (3) M8 nuts.

Repeat this step for all mounting brackets.





## STEP 3

Loosely secure the assembled mounting bracket to the cross bar using (2) M8 x 25mm combo bolts into the threaded inserts in the cross bar. The mounting brackets will adjust to the vehicle bed rail utilizing the slotted holes in the mounting bracket.

Note: Most full size beds will utilize the (2) inner most bolt holes in the cross bars and adjust width as necessary. Bed rack height will vary width adjustment.



## STEP 4

Fit (1) T-Slot bar between the two assembled bed rack assemblies, and loosely secure together using (4) M8 x 25mm combo bolts.

Repeat this step for the opposite side of the bed rack.

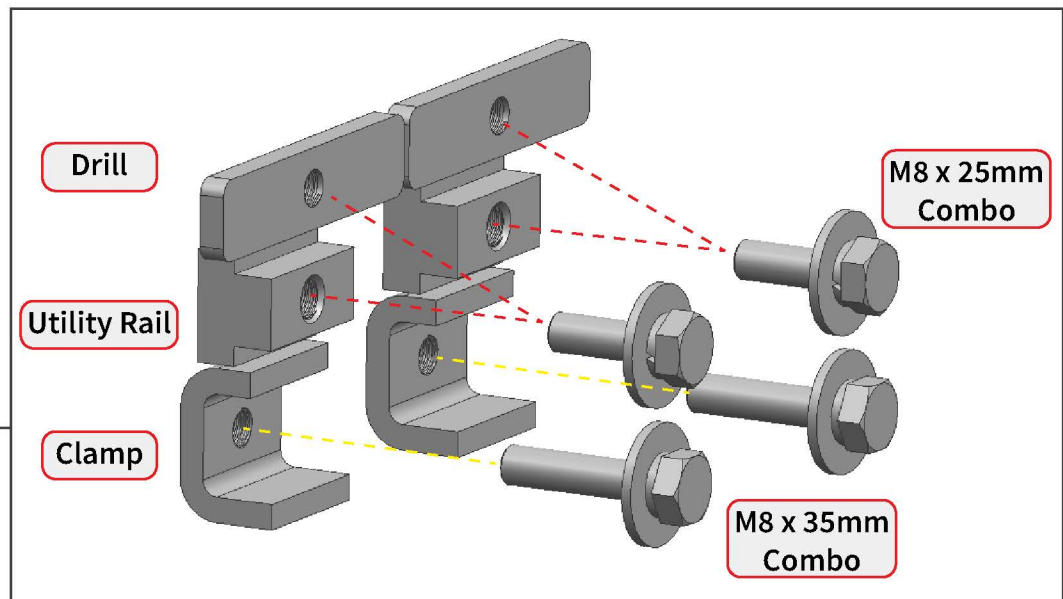


## STEP 5

Fit (2) M8 square head studs onto each side of (2) remaining T-Slot bars. Then, fit the included (2) “L” brackets onto the studs. Loosely secure the “L” brackets using (2) M8 flat washers, (2) M8 lock washers, and (2) M8 nuts.

Install the (2) “L” brackets to the cross bar threaded inserts using (8) M8 combo bolts.

Repeat this step for the remaining T-Slot bar. Once all bars are fitted, tighten all hardware evenly.



## STEP 6

Identify the bed rack mounting hardware. Depending on the vehicle/application, different mounting hardware will be used.

**Drill:** Requires drilling holes in the bed rail to bolt the bed rack down using (2) M8 x 25mm combo bolts.  
**Utility Rail:** Threaded block fits into the OEM vehicle utility rail. Secures using (2) M8 x 25mm combo bolts.  
**Clamp:** Clamps onto the inside of the bed rail. Block can rotate 180° to accommodate multiple bed rail styles. Secures using (2) M8 x 35mm bolts, (2) M8 lock washers, and (2) M8 flat washers.





## STEP 7

With assistance, lift the bed rack onto the vehicle bed rails. Adjust the bed rack width as necessary using the cross bar adjustment slots. Tighten the rack to the bed rails following the applicable procedure in Step 6. Tighten all mounting hardware evenly, then tighten the cross bar adjustment bolts.



## STEP 8

If desired, install the grab handles along the mounting brackets using (2) M8 x 20mm Allen bolts, (2) M8 lock washers, and (2) M8 flat washers per grab handle.

Utilize the (8) M8 threaded inserts, (8) M8 eyelets, and (8) M8 x 25mm Allen bolts to secure items along the T-Slot bars.



---

## STEP 9

Ensure all bed rack hardware is fully secure.

Installation is now complete.