

BARRICADE

INSTALLATION INSTRUCTIONS

HD4 Tubular Front Bumper

2018-2020 F150

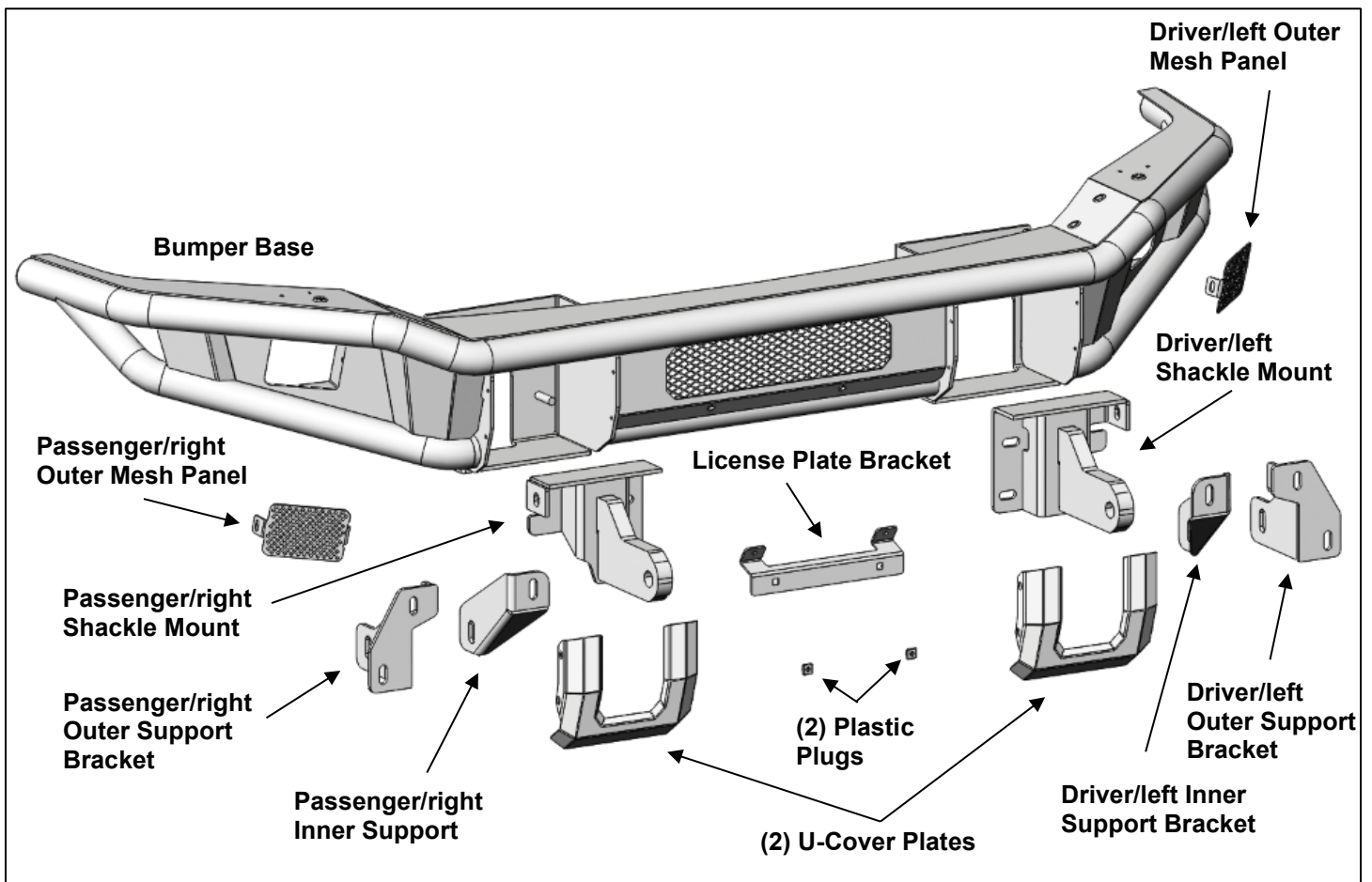
SKU # T603998 / T603999



Installation Instructions

PARTS LIST:

Qty	Item Description	Qty	Item Description
1	Bumper Base	1	Driver/left Inner Support Bracket
1	Driver/Left LD Tow Hook	4	Spacer Plates
1	Passenger/right LD Tow Hook	1	License Plate Bracket
2	Plastic Plugs for License Plate	2	U-Shape Cover plate
6	12mm PVC Plastic Retainers	1	4mm Allen Wrench
2	12-1.25mm x 45mm Bolt Plate	10	6-1.00mm x 20mm Combo Bolts
6	12-1.75mm x 60mm Single-Bolt Plate	12	12mm Lock Washers
1	Passenger/right Outer Support Bracket	14	12mm x 32mm x 3mm Flat Washers
1	Driver/left Outer Support Bracket	2	12-1.75mm x 150mm Hex Bolt
1	Passenger/right Inner Support Bracket	12	12mm Hex Nuts



TOOLS REQUIRED



- 1** Follow (Fig 1 – 9) to remove factory bumper and wiring harness to prepare vehicle for LD Bumper installation.



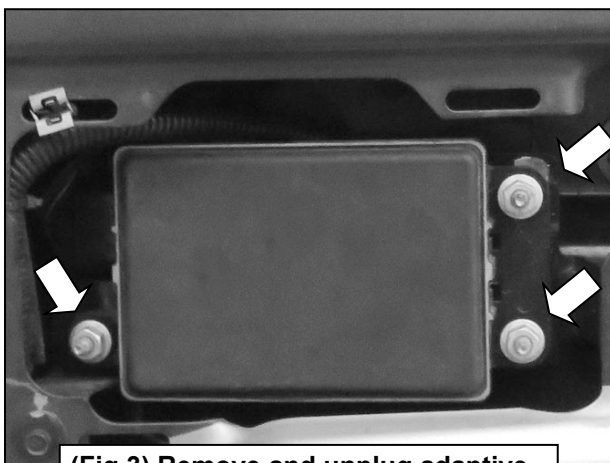
(Fig 1) Remove license plate from Bumper



Front

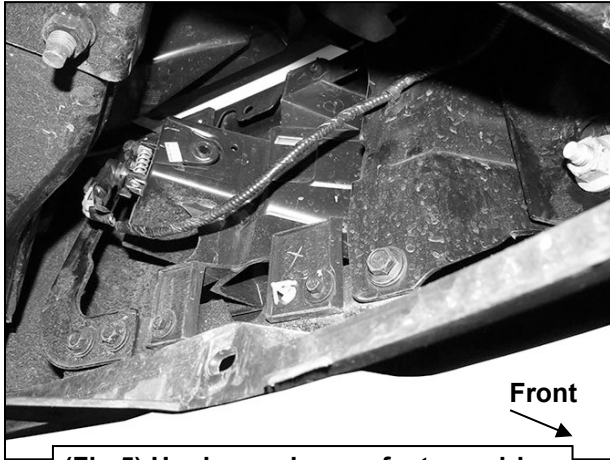


(Fig 2) Remove the plastic bumper pad from the front of the Bumper



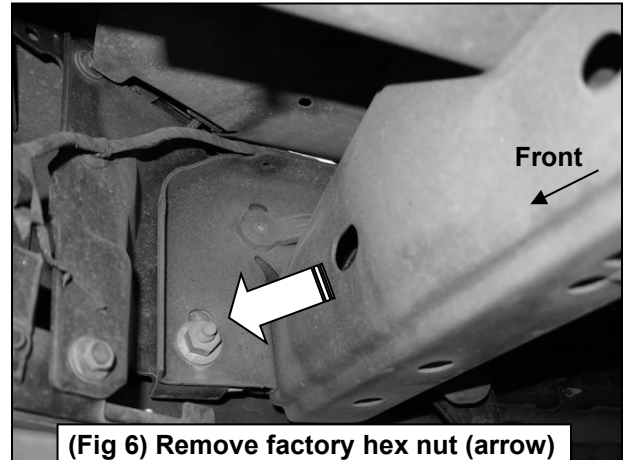
(Fig 3) Remove and unplug adaptive cruise control from driver/left side of frame, if equipped



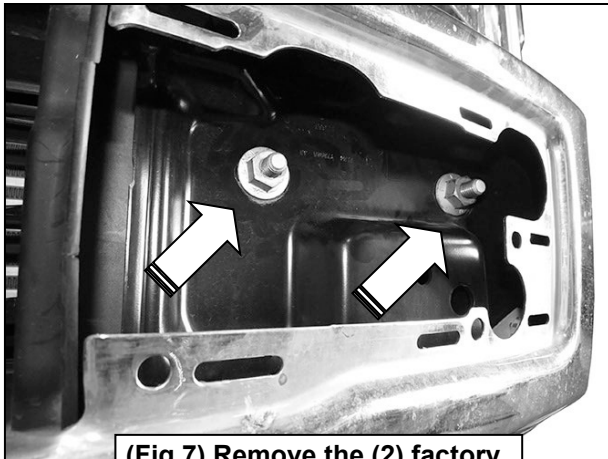


(Fig 5) Unplug and move factory wiring harness for fog lights (if equipped)

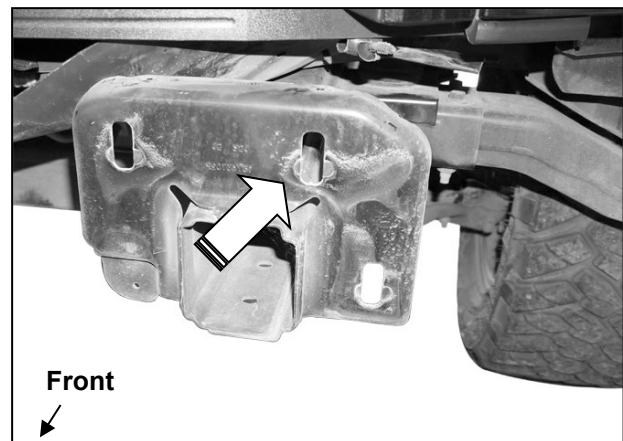
(Fig 4) Remove hardware to reveal wiring and bolts holding Factory Bumper
WARNING: Do not remove bumper unless the bumper is properly supported on blocks or stands or it may fall.



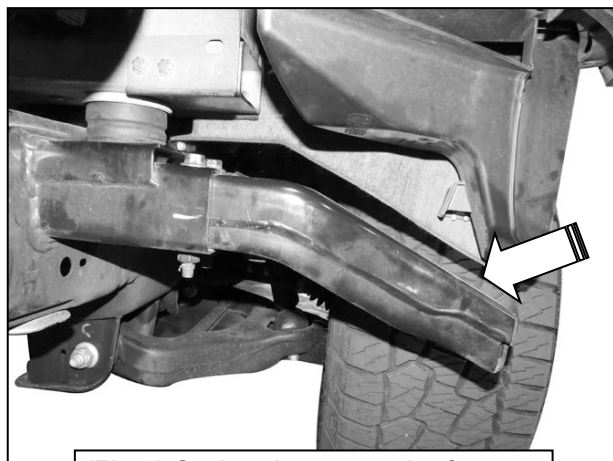
(Fig 6) Remove factory hex nut (arrow) from back of bumper bracket



(Fig 7) Remove the (2) factory hex nuts from each side



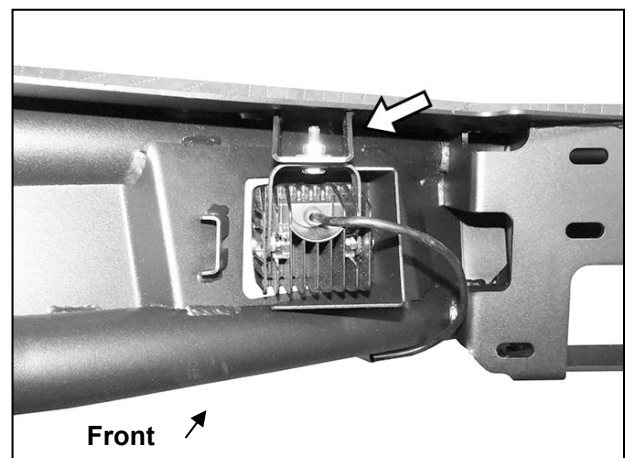
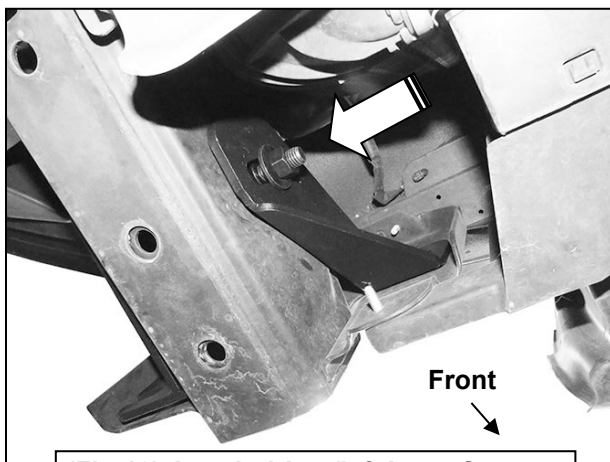
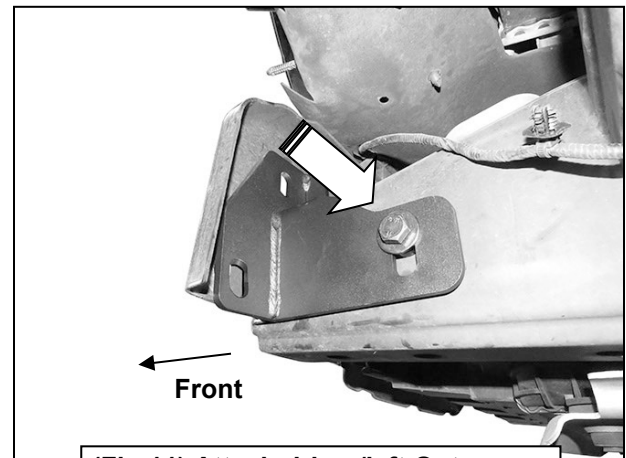
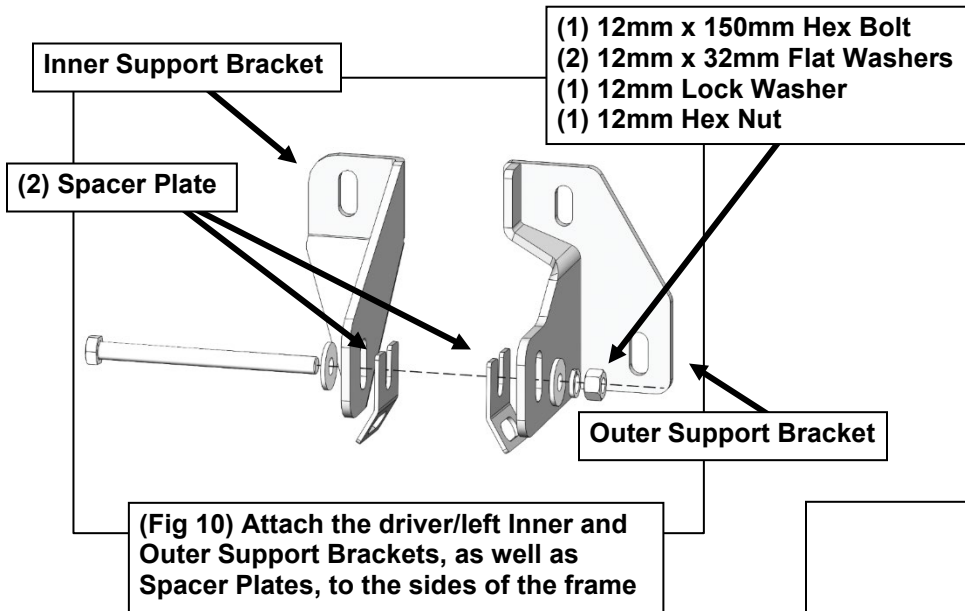
(Fig 8) Remove double bolt plates from end of frame (driver/left side end of frame pictured)

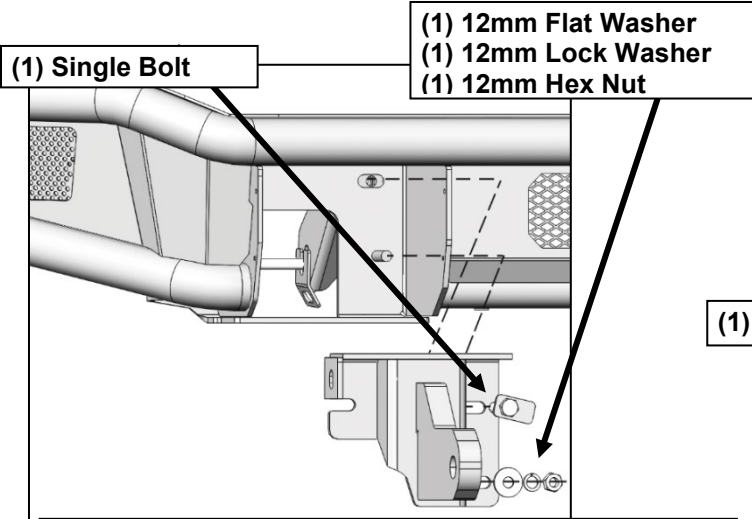


(Fig 9) Optional, remove the factory frame extensions, if equipped

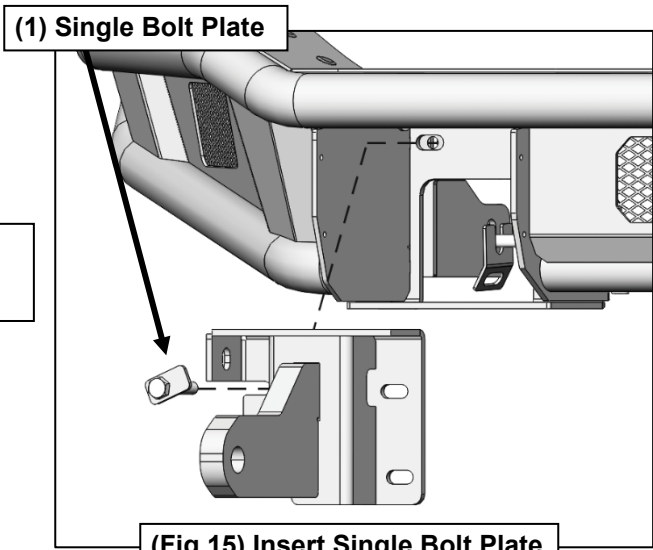
2

Follow (Fig 10 – 18) to attach Brackets and Sensors or Plastic Plugs, prepare Bumper for installation, then attach Bumper to Brackets. Ensure Bolts are hand tightened at this point.

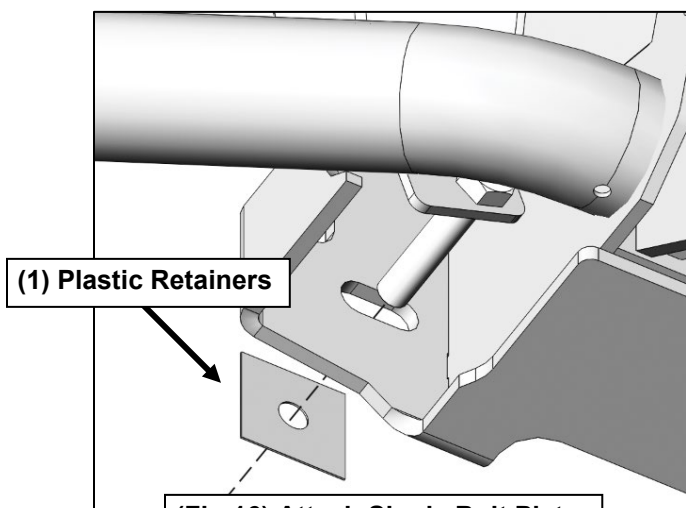




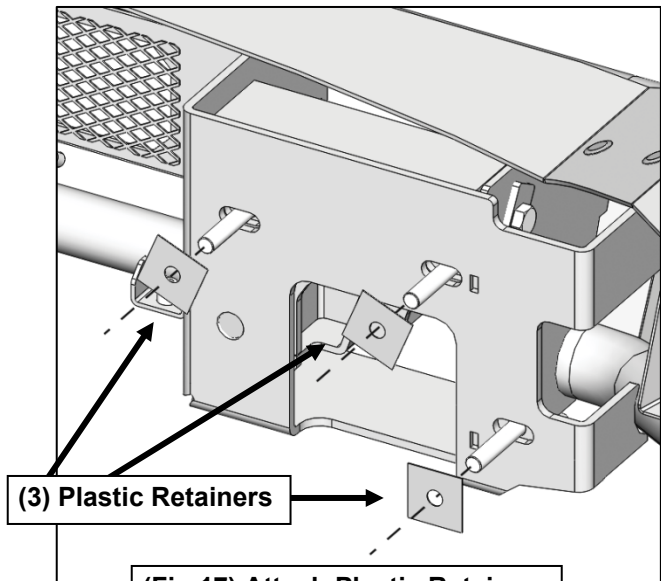
(Fig 14) Attach Shackle Mount to threaded stud on Bumper. Insert Single Bolt Plate through top inner mounting slot



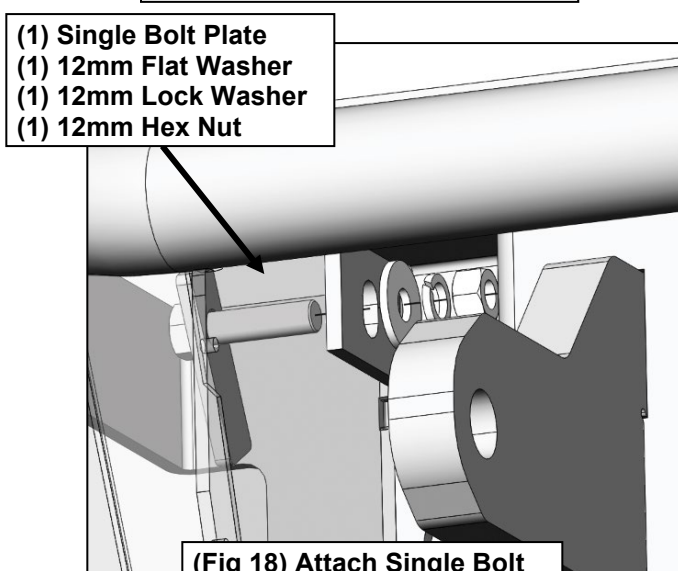
(Fig 15) Insert Single Bolt Plate to top outer mounting slot



(Fig 16) Attach Single Bolt Plate to bottom outer mounting slot



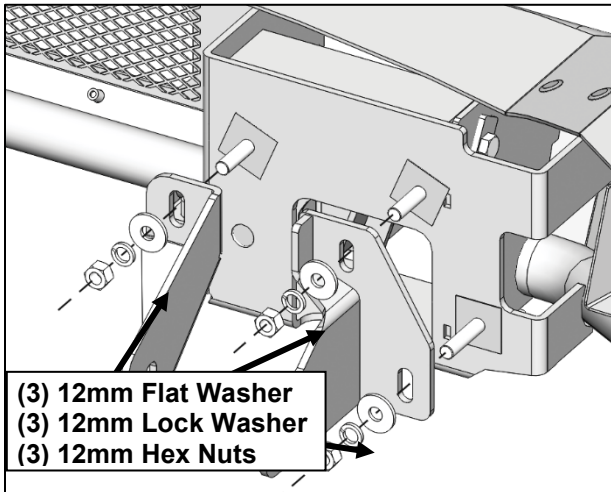
(Fig 17) Attach Plastic Retainers to hold Bumper in place for further installation steps



(Fig 18) Attach Single Bolt Plate on side mounting slot

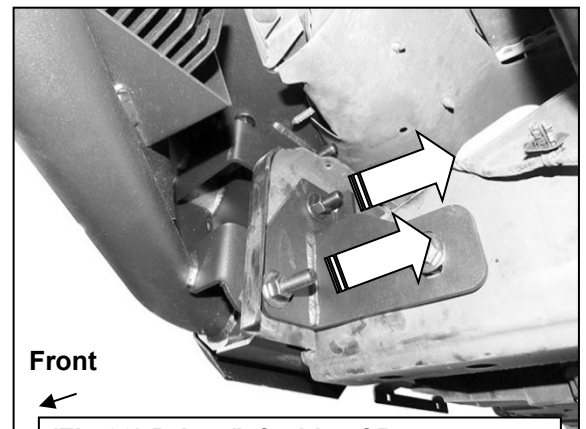
3

Follow (Fig 19 – 25) to attach U-Covers and License Plate Bracket to Bumper. Ensure Bumper is level, then tighten all hardware.

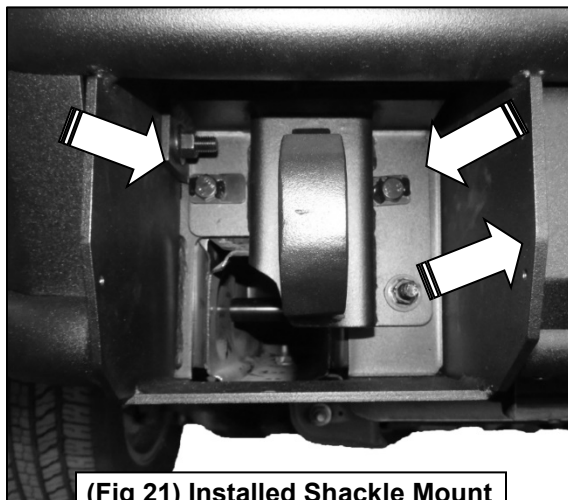


- (3) 12mm Flat Washer
- (3) 12mm Lock Washer
- (3) 12mm Hex Nuts

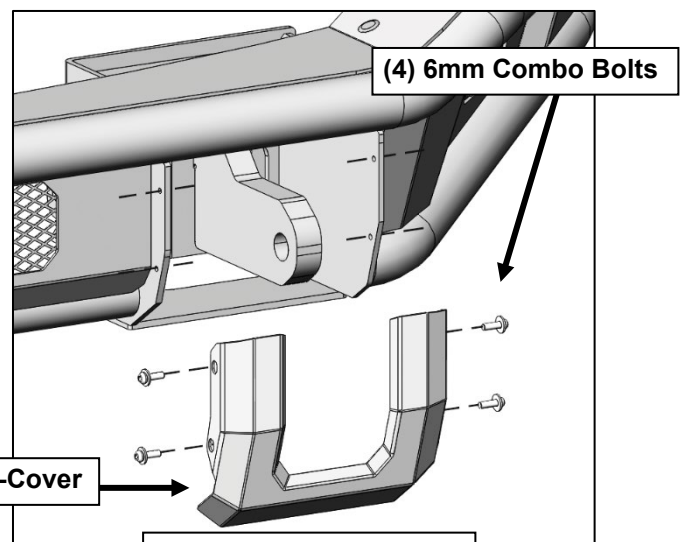
(Fig 19) Hold Bumper up to end of frame, the guide Bolt Plates in Bumper through bumper bracket on frame and Support Brackets



(Fig 20) Driver/left side of Bumper installed. Pictured from behind Bumper



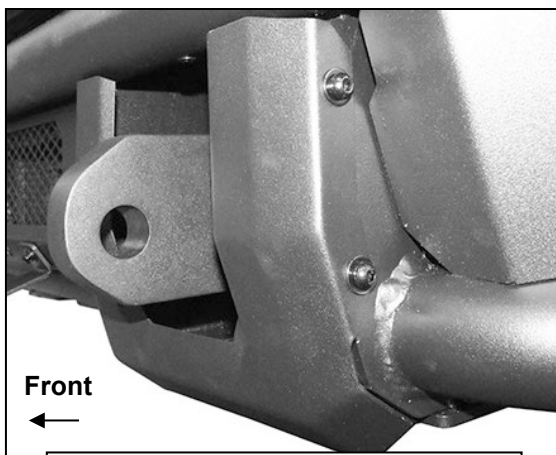
(Fig 21) Installed Shackle Mount



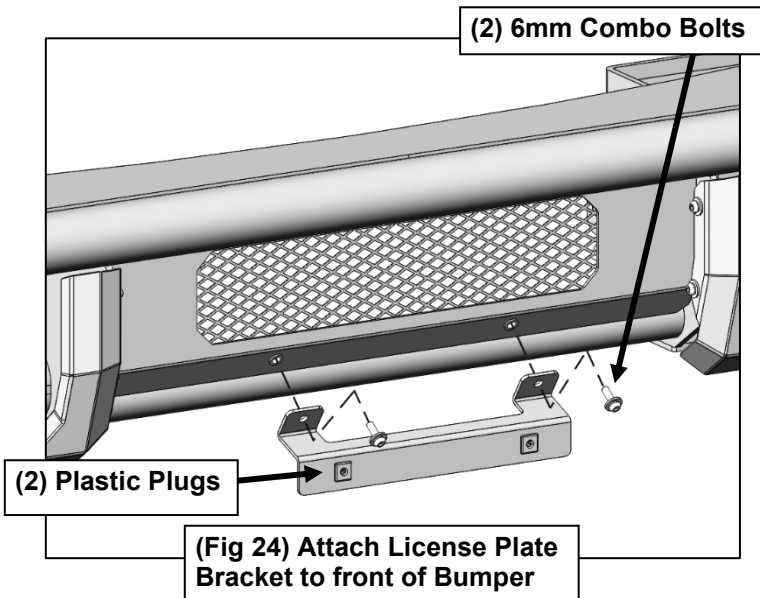
- (1) U-Cover

- (4) 6mm Combo Bolts

(Fig 22) Install U-Covers



(Fig 23) Driver/left U-Cover installed



4

Ensure Bumper is level and all fasteners are tightened at this point, then ensure all connections are secure. Installation is complete. Do periodic inspections to the installation to make sure that all hardware is secure and tight.



Complete Installation (lights and hoop not included)