

INSTALLATION INSTRUCTIONS

HD4 LD Front Push Bar

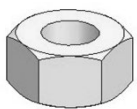
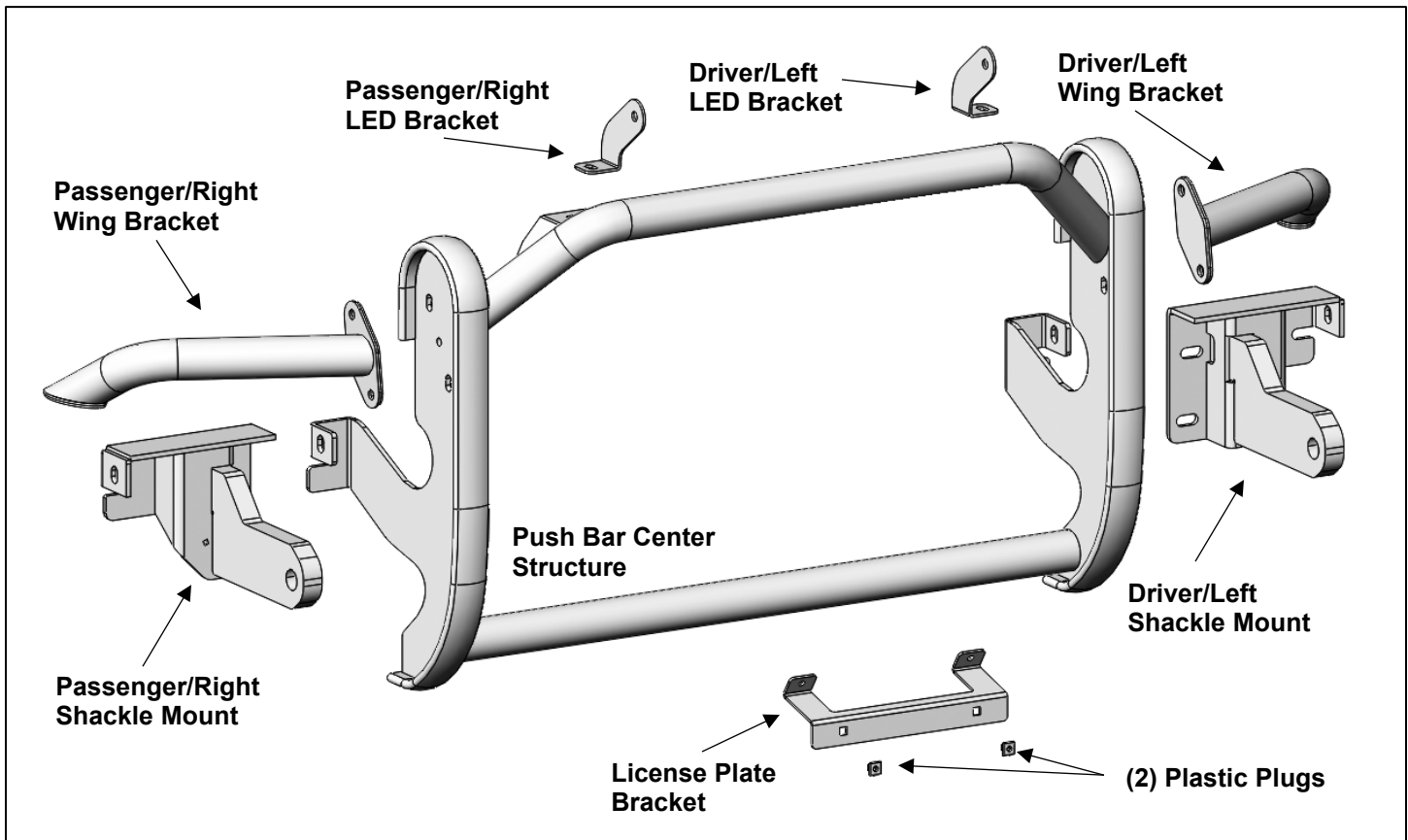
2018-20 FORD F150

T604001

Installation Instructions

PARTS LIST:

Qty	Item Description	Qty	Item Description
1	Push Bar Center Structure	10	8mm x 24mm x 2mm Flat Washers
1	PS/Right Wing Bracket	6	8mm Hex Nuts
1	DS/Left Wing Bracket	8	8mm Lock Washers
1	PS/Right Shackle Mount	4	8mm x 16mm x 1.6mm Flat Washers
1	DS/Left Shackle Mount	4	8-1.25mm x 25mm Button Head Allen Bolt
2	License Plate Bracket Plastic Plugs	1	5mm Allen Wrench
1	PS/Right LED Bracket	8	12mm Lock Washers
1	DS/Left LED Bracket	8	12mm Hex Nuts
1	License Plate Bracket	8	12mmx32mmx3mm Flat Washers
2	6-1.00mm x 20mm Combo Button Head Bolts	2	8-1.25mm x 16mm Hex Bolts
2	8-1.25mm x 25mm Combo Hex Bolts	2	8-1.25mm x 25mm Hex Bolts



Hex Nut



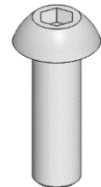
Lock Washer



Flat Washer



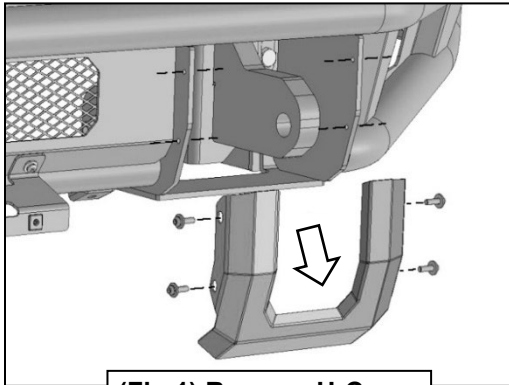
Hex Bolt



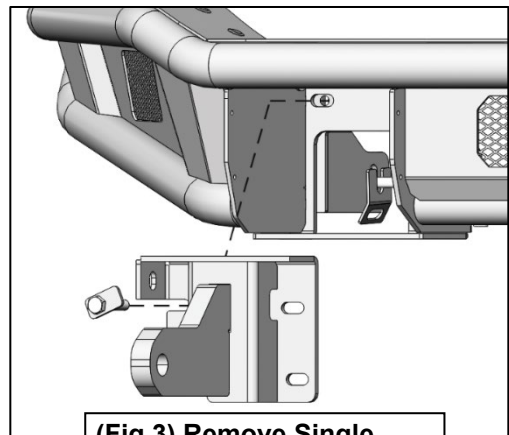
Button Head Allen Bolt

TOOLS REQUIRED			
 Ratchet	 13 & 19mm Socket	 Extensions	 Wrench

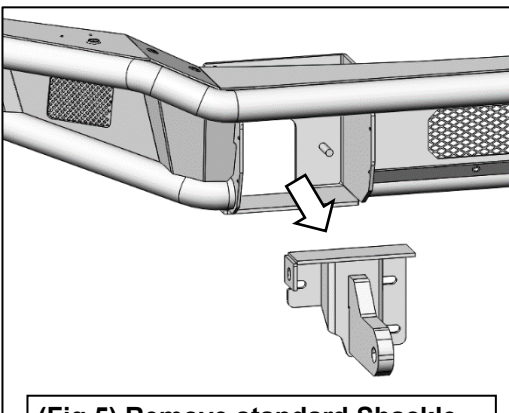
1 Follow (Fig 1 – 5) to remove standard Shackle Mounts and prepare for Push Bar Installation.



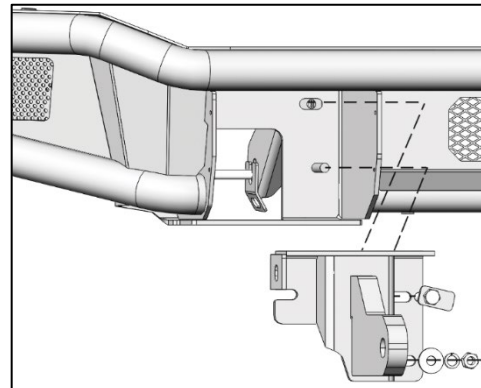
(Fig 1) Remove U-Cover



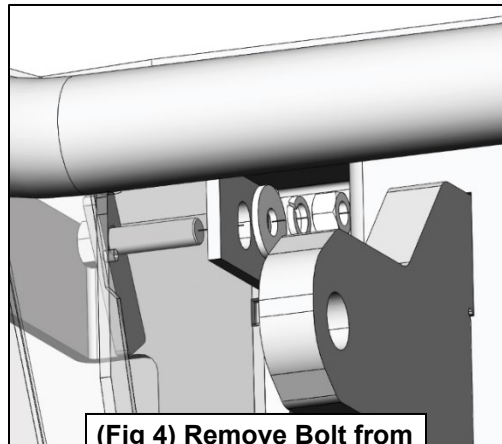
(Fig 3) Remove Single Plate Bolt from outer side



(Fig 5) Remove standard Shackle Mounts supplied with HD4 Bumper



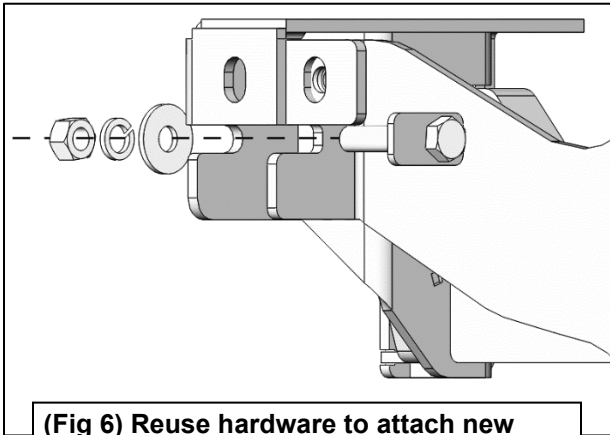
(Fig 2) Remove inner Single Bolt Plate and hardware on mounting stud



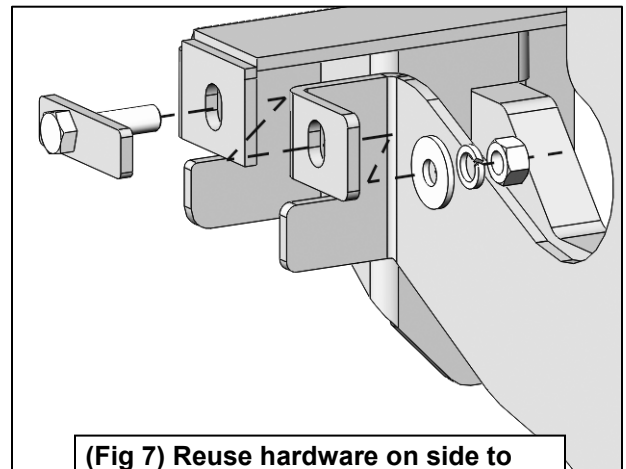
(Fig 4) Remove Bolt from Side of Shackle Mount

2

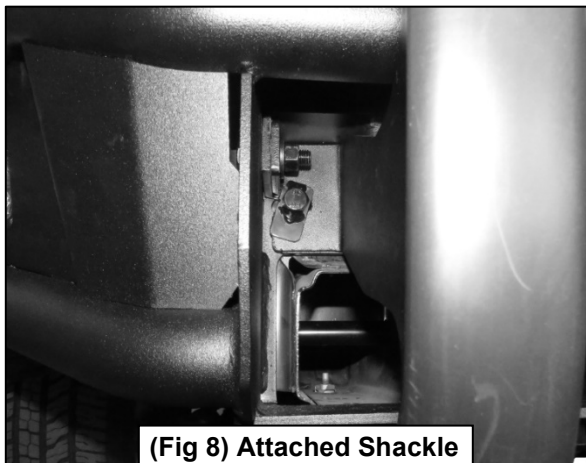
Follow (Fig 6 – 14) to attach Brackets, then install Push Bar and connect Push Bar Wings. Then reinstall U-covers. Ensure fasteners are hand tight at this point.



(Fig 6) Reuse hardware to attach new Shackle Mounts and Push Bar to Bumper

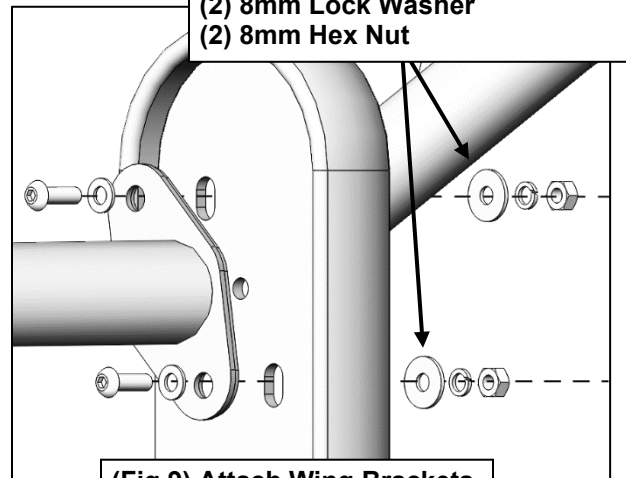


(Fig 7) Reuse hardware on side to secure Shackle Mount and Push Bar

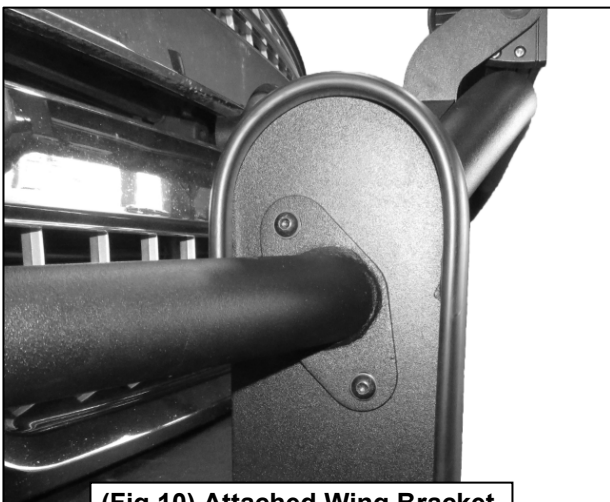


(Fig 8) Attached Shackle Mount and Push Bar

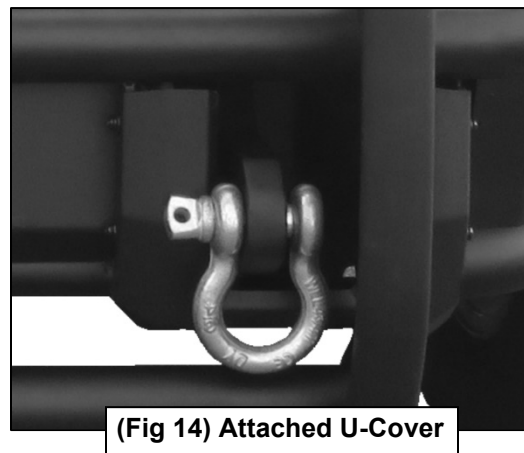
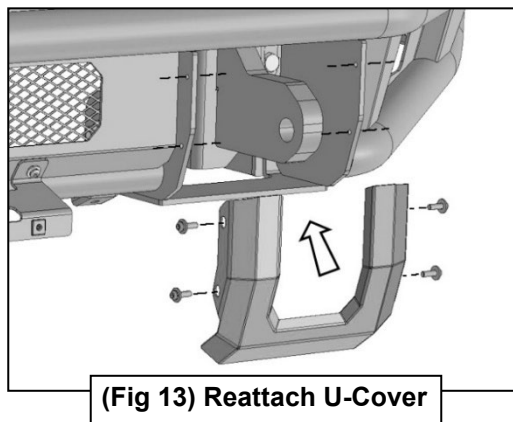
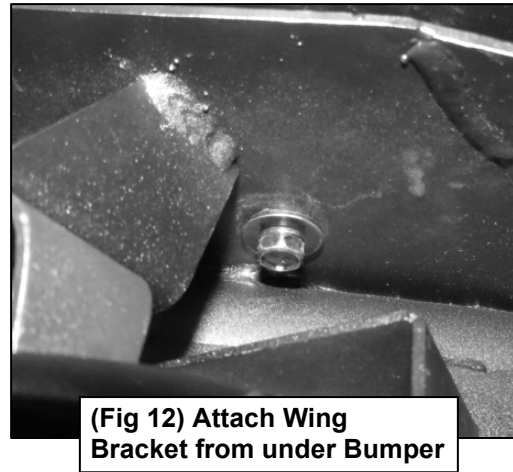
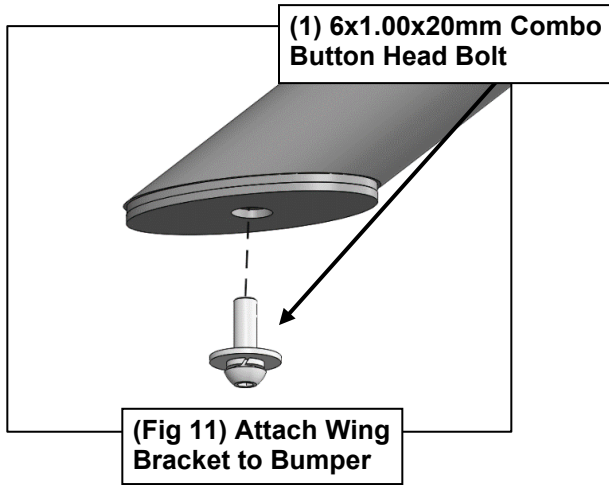
- (2) 8x1.25x25mm Button Head Bolt
- (2) 8x16x1.6mm Flat Washer
- (2) 8x24x2mm Flat Washer
- (2) 8mm Lock Washer
- (2) 8mm Hex Nut



(Fig 9) Attach Wing Brackets to the side of Push Bar

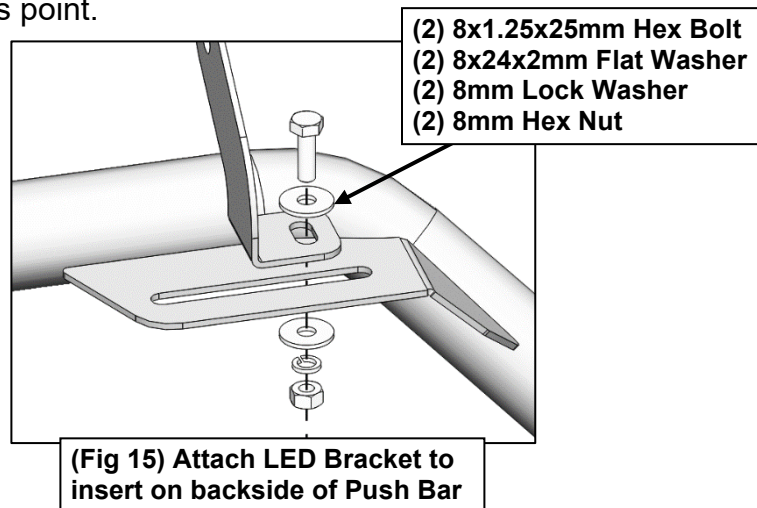


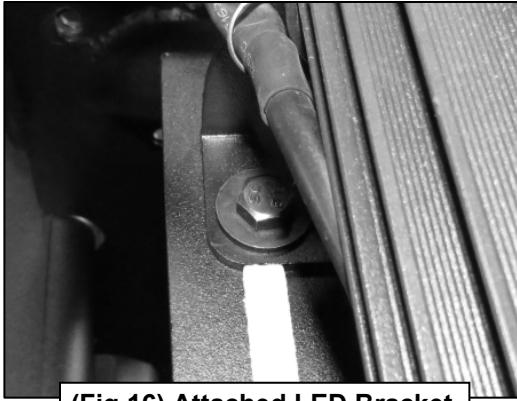
(Fig 10) Attached Wing Bracket



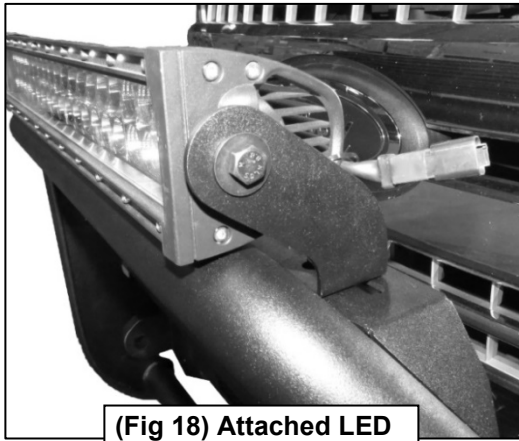
3

Follow (Fig 15 – 18) to attach LED Brackets and LED Bar (not included). Ensure all fasteners are hand tightened at this point.

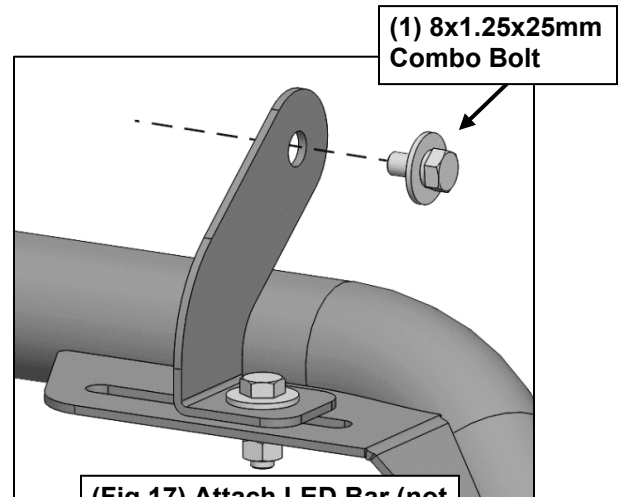




(Fig 16) Attached LED Bracket



(Fig 18) Attached LED Bar (not included)



(Fig 17) Attach LED Bar (not included) to LED Bracket

4

Ensure Push Bar is level and properly fit, then tighten all fasteners. Installation is complete. Do periodic inspections to the installation to make sure that all hardware is secure and tight.



Complete Installation (Light not