



---

# LOW PROFILE ALUMINUM RETRACTABLE TONNEAU COVER

---

## INSTALLATION INSTRUCTIONS

### CONTENTS

---

- (1) Tonneau Cover
- (1) LH Side Rail
- (1) RH Side Rail
- (4) Side Rail Clamp Assemblies
- (4) Utility Rail Clamp Assemblies
- (6) M6 Tapered Head Bolts
- (1) Bulkhead Seal
- (2) Drain Tubes
- (2) Hose Clamps
- (1) Lubricant Oil Tube
- (1) Wrench

### TOOLS REQUIRED

---

- 17mm Wrench (Provided)
- Phillips Screwdriver



---

### STEP 1



Prop the tonneau cover above the ground. Then, fit the appropriate side rail to each side of the tonneau cover, and secure each rail using (3) M6 Phillips head bolts. Tighten evenly until secure.

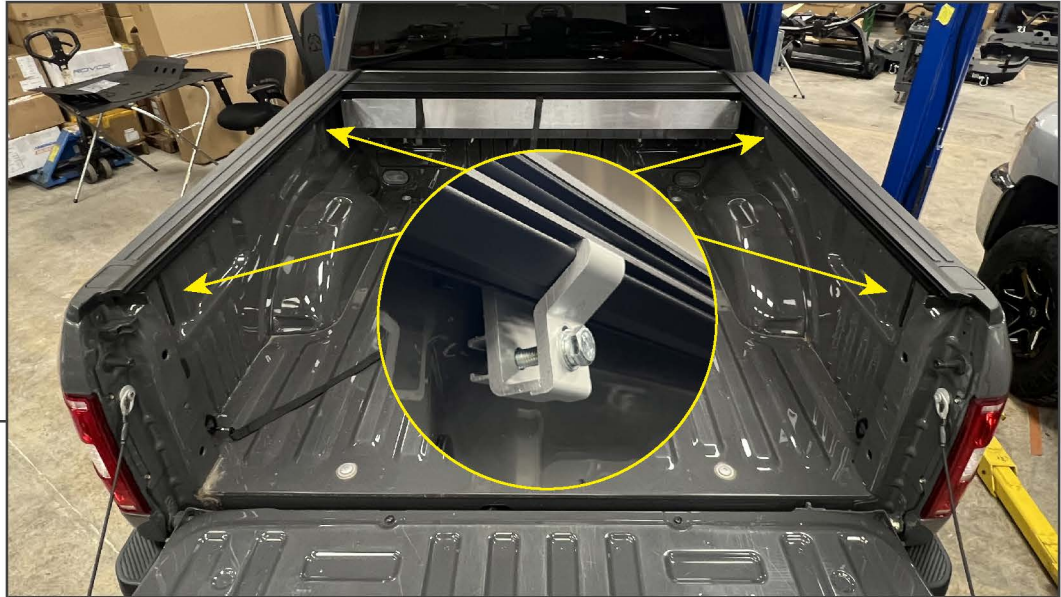
Note: The tonneau cover will need to partially fit into the side rail at this time, a helper may be necessary to ensure all parts align.

---

### STEP 2



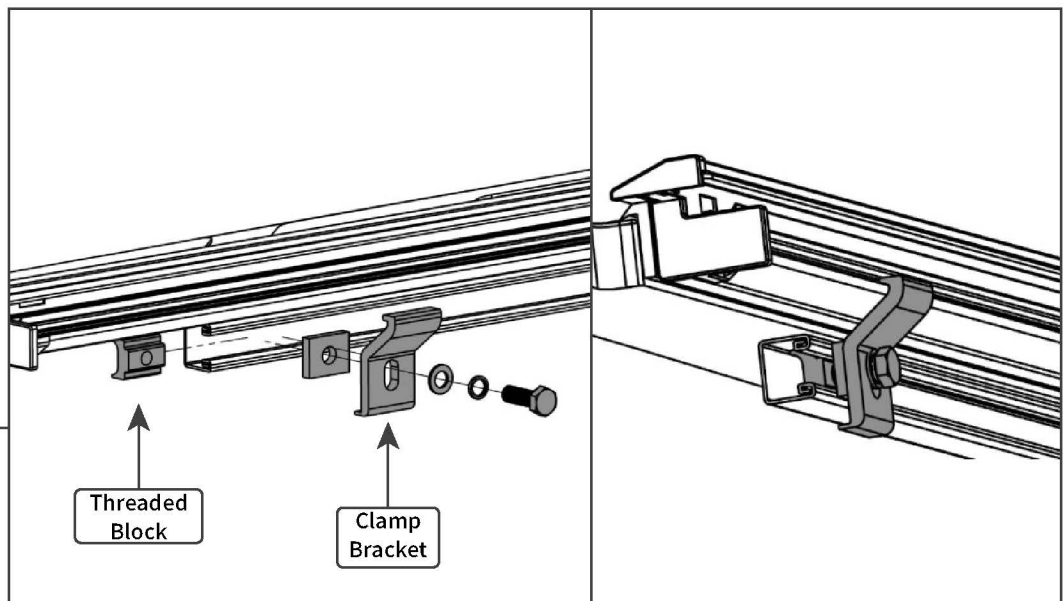
Install the (1) bulkhead seal to the vehicle using the attached adhesive tape.



### STEP 3

**Without Utility Rail:** With a helper, lift the tonneau cover assembly between the vehicle bed rails. Test the tonneau cover, and center the assembly into place.

Once centered, secure the (4) corners of the tonneau cover to the vehicle bed rails using (4) clamp assemblies. Tighten the clamps evenly until secure.



### STEP 4

**With Utility Rail:** With a helper, lift the tonneau cover assembly between the vehicle bed rails. Test the tonneau cover, and center the assembly into place.

Once centered, begin to install the threaded blocks provided with the utility rail clamps into the vehicle utility rail. Fit the clamp bracket to the tonneau side rail and the utility rail threaded block, and secure using the provided hardware. Reference the diagram above for hardware order/placement.



---

### STEP 5



Locate the (2) fittings along the bottom of the tonneau cover case. Fit (1) drain hose and (1) hose clamp onto each drain fitting. Then, route the drain out of the vehicle bed through a suitable grommet.

Note: Cut/Drill a small hole in a pre-existing grommet, if necessary.

---

### STEP 6



Use the included lubricant oil inside the side rail tonneau cover tracks. Lubricating the tonneau cover periodically will ensure smooth retraction and extension of the tonneau cover over time.



---

## STEP 7

Attach the pull rope carabiner hook to the vehicle bed tie down point. Close the tonneau cover and close the tailgate.

Installation is now complete.