



P/N: F454-C

INSTRUCTIONS PACKET

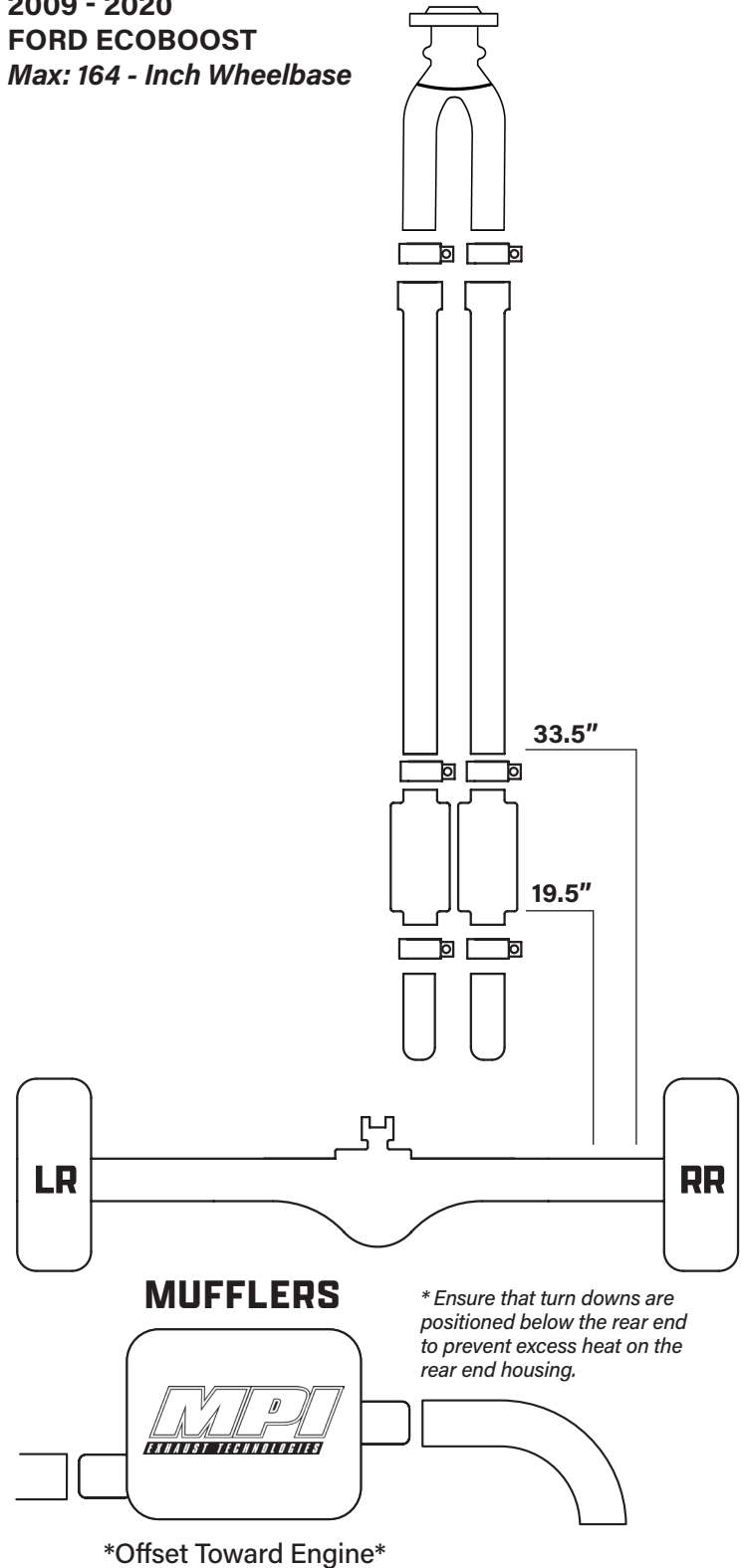
**2009 - 2020 FORD ECOBOOST
Max: 164 - Inch Wheelbase**

F4-4



1. Unbolt the factory system starting at the 2 bolt flange - new bolts and nuts are provided. remove factory system leave Rubber on factory mounts.
2. Anti-seize Factory ball surface and Flange mount on Pulse Camber.
3. Remove the rear factory head pipe hanger block with a 10mm bolt. Clips will be used on the left rear hanger if a hole is present from the factory.
4. Install the right side head pipe, then trim to the wheelbase (view diagram). Snug the clamps as you go, but don't tighten them completely yet.
5. Install the muffler assembly, ensuring that the rear muffler measurement is correct to ensure proper tailpipe placement with the offset toward the front.
6. Install the head pipe hanger and finally tighten all clamps to this point.
7. Install the rear hanger behind the mufflers.
8. Clean fingerprints off tips with glass cleaner and clean pipes with brake cleaner.
9. When bullnose are installed, ensure proper rear end clearance.

2009 - 2020
FORD ECOBOOST
Max: 164 - Inch Wheelbase





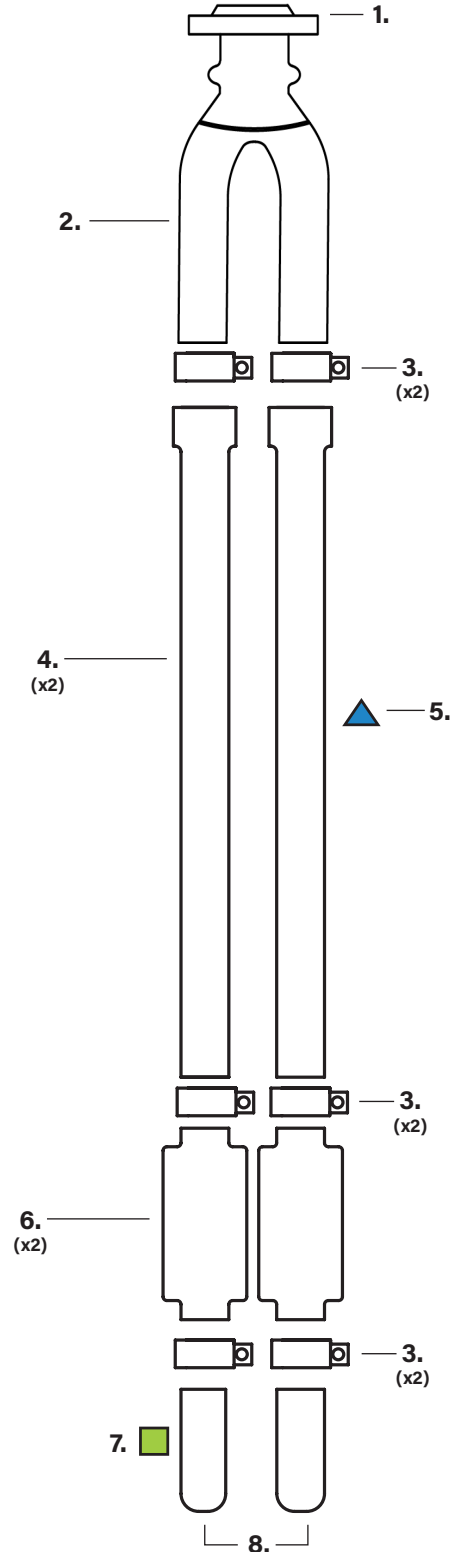
P/N: F454-C

PARTS DIAGRAM

2009 - 2020
 FORD ECOBOOST
 Max: 164 - Inch Wheelbase

ITEM	QTY	PART NO.	DESCRIPTIONS
1.	2	MPI-M10-1.5	OEM Bolt Assembly
2.	1	PC-24	Pulse Chamber
3.	6	MPI - SC250	Clamp - Std.
4.	2	MPI - 0 - 60	Head Pipes
5.	1	Hanger - 69	Head Pipe ▲
6.	2	—	Mufflers
7.	1	Hanger - 71	Right Rear Muffler ■
8.	2	MPI - 1	Turn Downs

MUFFLER OFFSET DIAGRAM





WARRANTY



CUSTOMER SUPPORT AND WARRANTY INFORMATION

Thank you for choosing an MPI Exhaust Technologies System and allowing MPI Exhaust to customize your ride today! Our friendly and knowledgeable staff is here to answer any questions. Enjoy the Sound of Perfection.

QUESTIONS

ONLY contact MPI Exhaust Technologies if any products are potentially missing or damaged during shipping, or if you have any questions about the products. **Call (406) 669-3286.**



INSTALLATION

Watch the tutorial YouTube videos (scan the QR code) before installing or contacting MPI Exhaust. Our knowledgeable staff have installed hundreds of these kits.



WARRANTY

For more information scan the QR code.

CONTACT

Phone: (406) 669-3286

Email: mikespipesinc@gmail.com

