



---

# TC4 HD RUNNING BOARDS

2015-2025+ F150 SUPERCREW CAB

2022-2025+ F150 LIGHTNING EV SUPERCREW CAB

2017-2025+ F250/ F350/ F450/ F550 SUPER DUTY CREW CAB

---

## INSTALLATION INSTRUCTIONS

### CONTENTS

---

- (1) LH Running Board
- (1) RH Running Board
- (3) LH Step Brackets [DF, DC, DR]
- (3) LH Reinforcement Brackets [DF, DC, DR]
- (3) RH Step Brackets [PF, PC, PR]
- (3) RH Reinforcement Brackets [PF, PC, PR]
- (18) M8 Plastic Washers
- (36) M8 x 24mm OD x 2mm Flat Washers
- (30) M8 Nylon Lock Nuts
- (6) M8 x 25mm Combo Bolts

### TOOLS REQUIRED

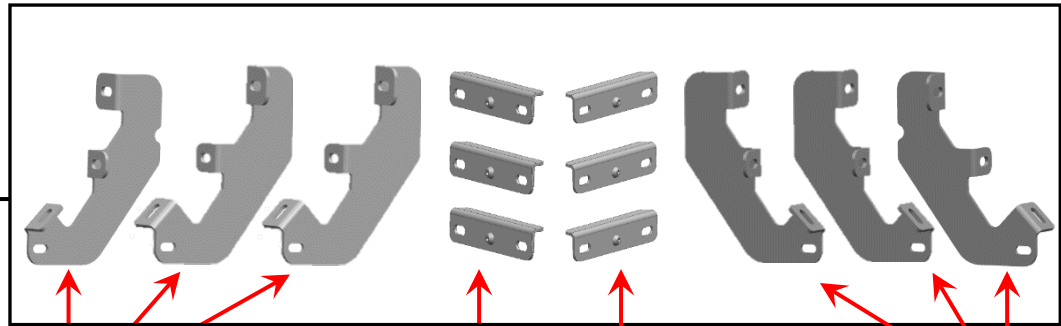
---

- 13mm
- Sockets/Wrenches
- Ratchet

SKU # T623446

Edited:03/25/2025

## STEP 1



**DRIVER SIDE  
STEP BRACKETS**

**DRIVER SIDE  
REINFORCEMENT  
BRACKETS**

**PASSENGER SIDE  
REINFORCEMENT  
BRACKETS**

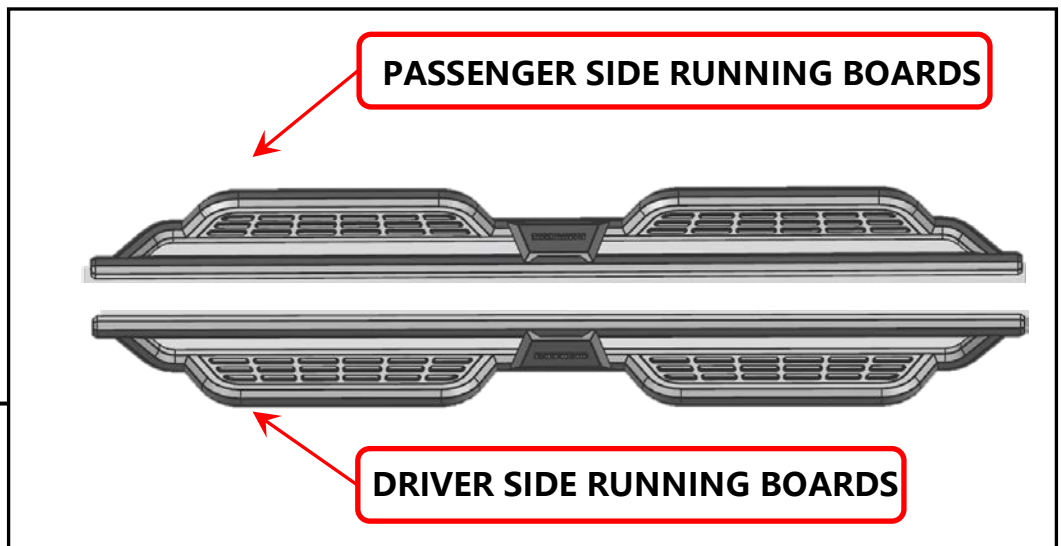
**PASSENGER SIDE  
STEP BRACKETS**

Mounting Brackets look very similar but are unique. Please identify each mounting bracket using the engraved location identifier. **Notice: The Center brackets are the same as The Rear brackets. Both Reinforcement brackets are the same.**

DF: Driver Front  
DC: Driver Center  
DR: Driver Rear

PF: Passenger Front  
PC: Passenger Center  
PR: Passenger Rear

## STEP 2

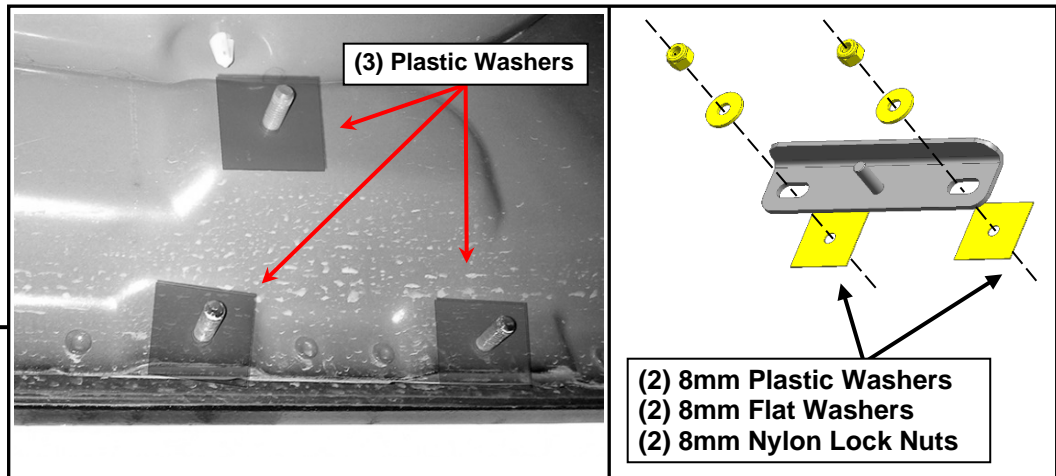


**PASSENGER SIDE RUNNING BOARDS**

**DRIVER SIDE RUNNING BOARDS**

Identify each running board by identifier on the front. **Notice: "D" for Driver/Left Side; "P" for Passenger/Right Side.**

## STEP 3

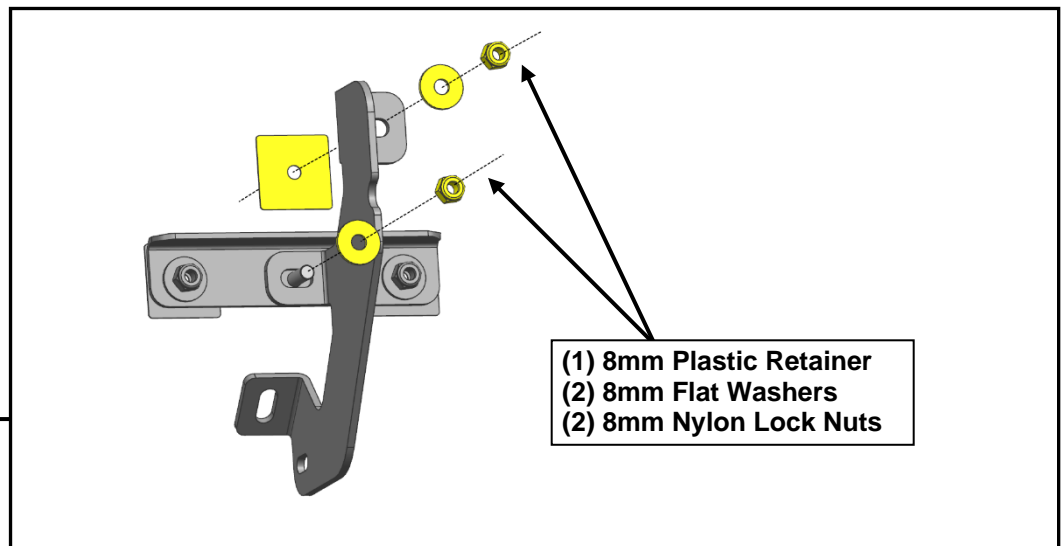


Start installation toward the front of the Passenger/Right side of the vehicle.

Slide (1) Plastic Washer over each of the (3) factory mounting studs in the body panel.

Loosely fit the Passenger Front reinforcement bracket to the (2) lower studs using (2) M8 Plastic Washers, (2) M8 x 24mm flat washers, and (2) M8 nylon lock nuts. Do not fully tighten to allow for later adjustments. Repeat this step for all step brackets.

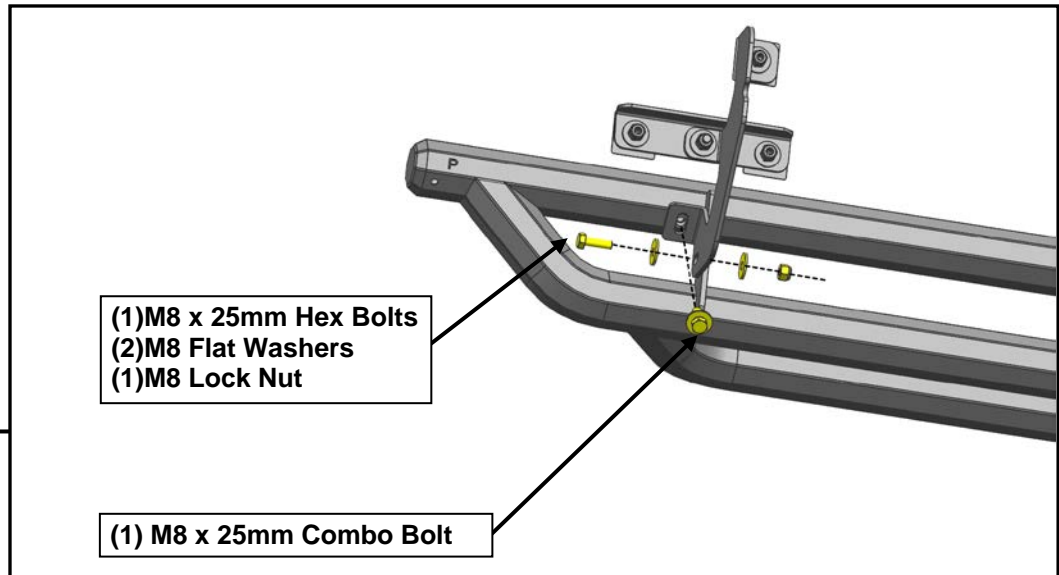
## STEP 4



Loosely attach the (1) Passenger step bracket to the upper factory mounting stud and the (1) Passenger reinforcement bracket using (1) M8 plastic washer, (2) M8 flat washers, and (2) M8 nylon lock nuts.

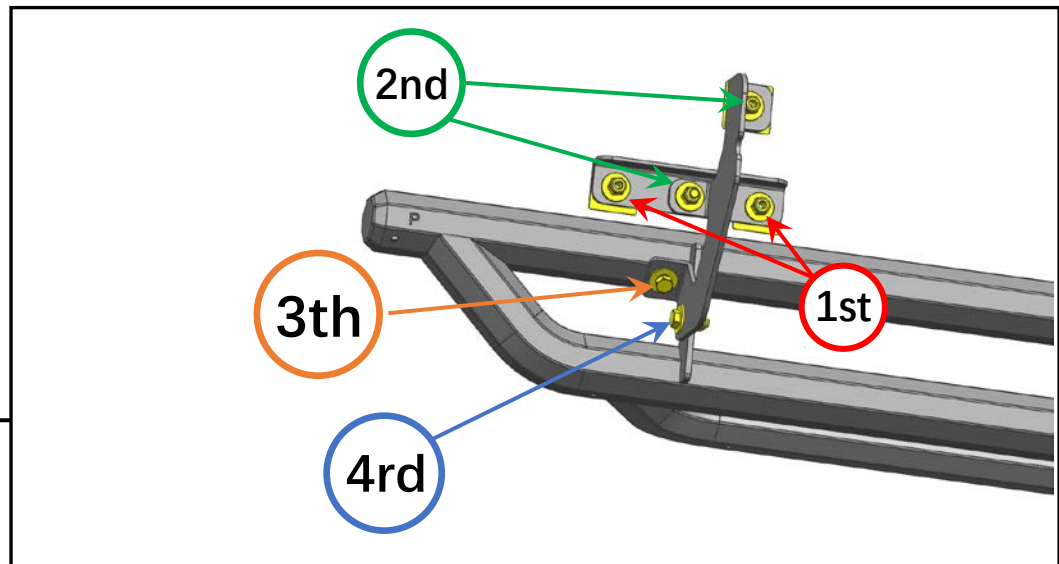
Repeat this step for all step brackets.

## STEP 5



With all brackets loosely mounted to the vehicle, fit the running board onto the front bracket, and loosely secure into place using (1) M8 x 25mm combo bolt, (1) M8 x 25mm hex bolt, (2) M8 flat washer, (1) M8 lock nut. Repeat the step for other (2) PS step brackets.

## STEP 6



Tighten the mounting brackets to the vehicle. Adjust the running board to the desired angle, and tighten the bolts to secure the step into place. See photo for tightening order visual.

Repeat steps 1-6 for the remaining running board.

Installation is now complete.