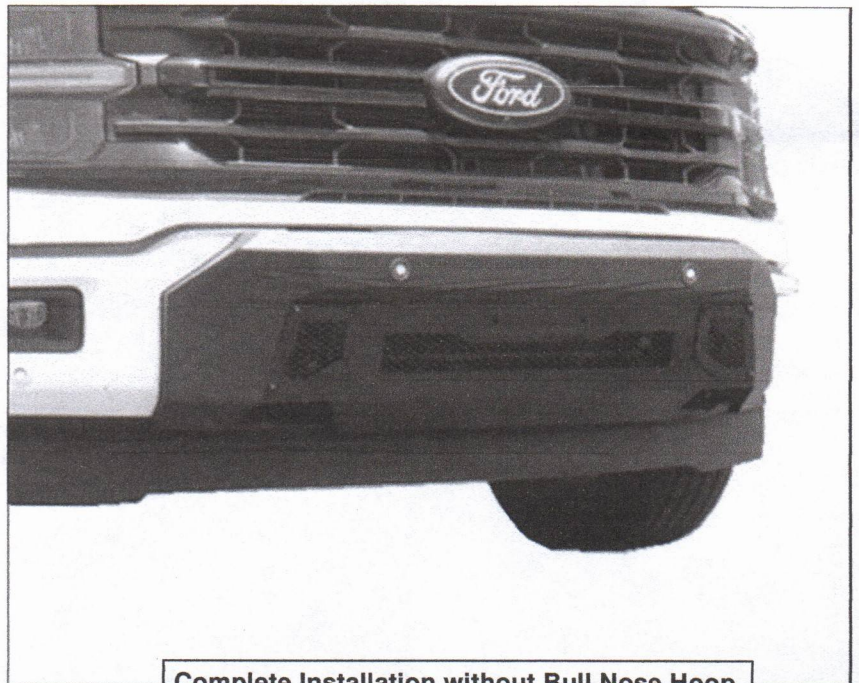


3

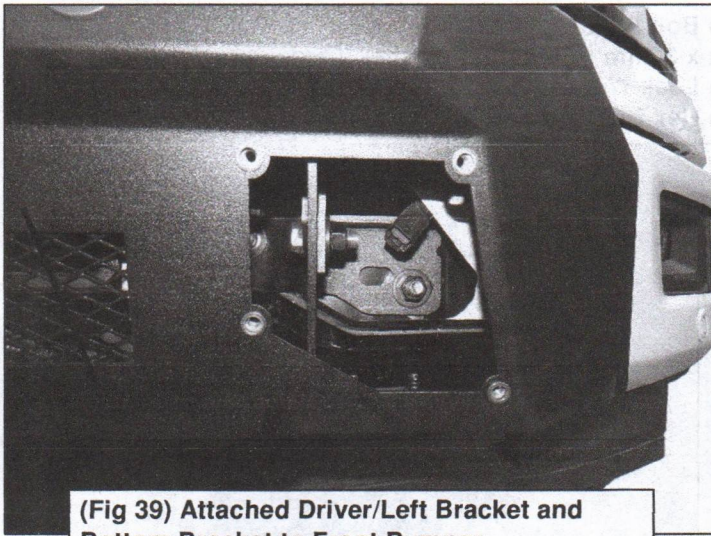
Ensure Bumper is level, and all fasteners are tightened at this point, then ensure all connections are secure. Installation is complete. Do periodic inspections of the installation to make sure that all hardware is secure and tight.



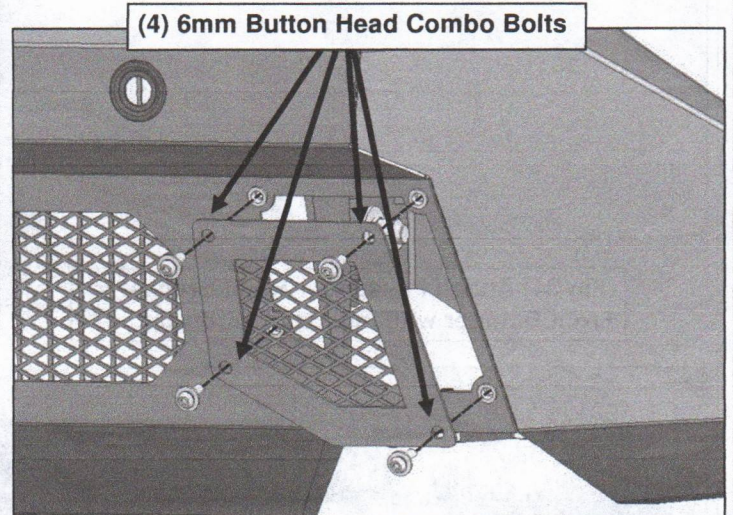
Complete Installation with Bull Nose Hoop (Lightbar not included)



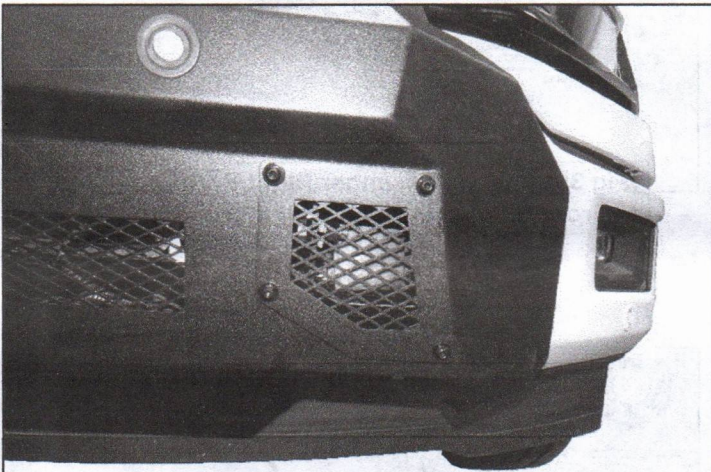
Complete Installation without Bull Nose Hoop



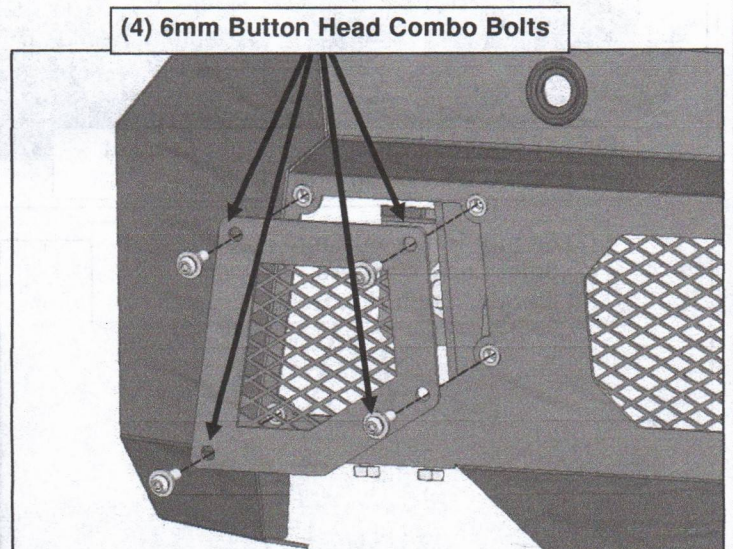
(Fig 39) Attached Driver/Left Bracket and Bottom Bracket to Front Bumper.



(Fig 40) Attach Driver/Left Mesh Plate to Front Bumper with indicated hardware.



(Fig 41) Attached Driver/Left Mesh Plate to Front Bumper.

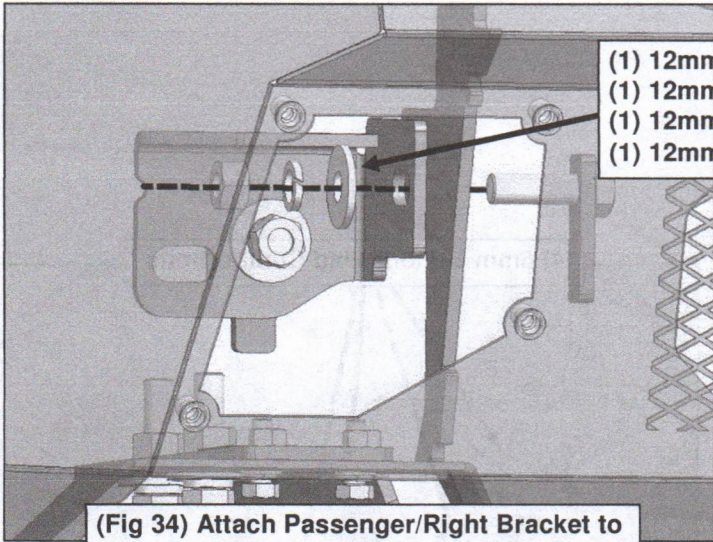


(Fig 42) Attach Passenger/Right Mesh Plate to Front Bumper with indicated hardware.



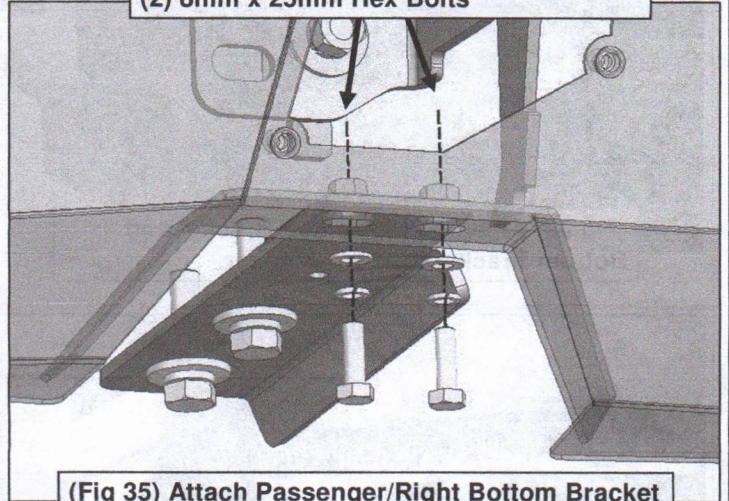
(Fig 43) Attached Passenger/Right Mesh Plate to Front Bumper.

- (1) 12mm Bolt Plate
- (1) 12mm x 32mm x 3mm Flat Washer
- (1) 12mm Lock Washer
- (1) 12mm Hex Nut

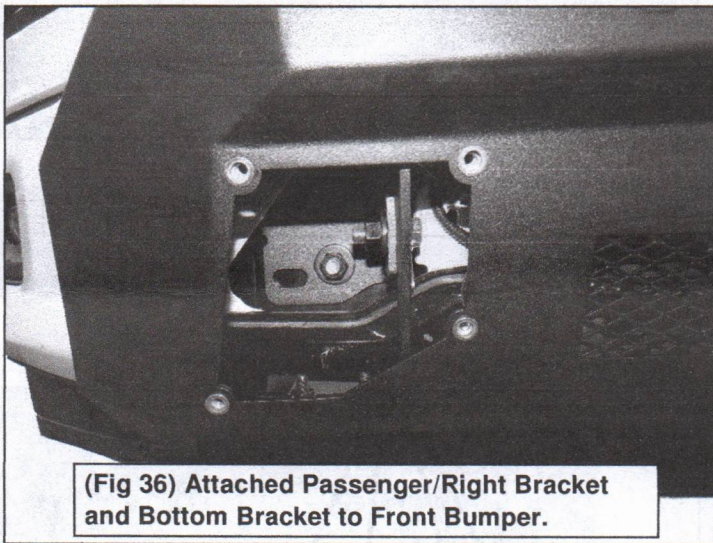


(Fig 34) Attach Passenger/Right Bracket to Front Bumper with indicated hardware.

- (2) 8mm x 16mm x 1.6mm Flat Washers
- (2) 8mm Lock Washers
- (2) 8mm x 25mm Hex Bolts

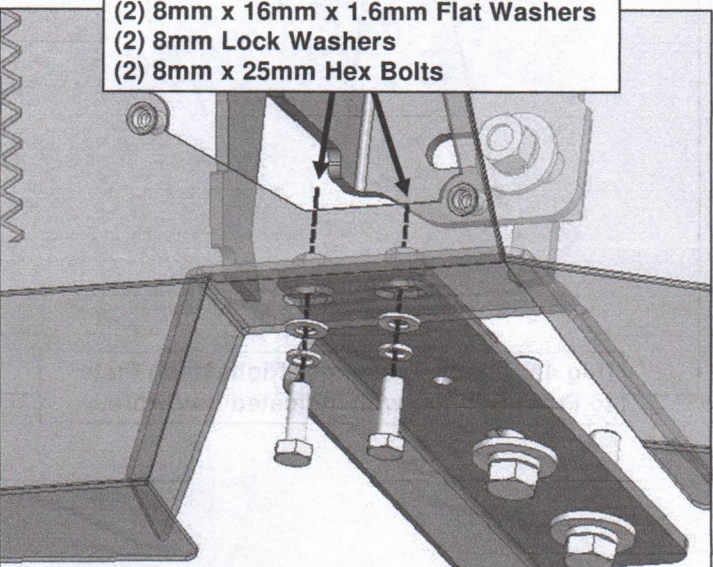


(Fig 35) Attach Passenger/Right Bottom Bracket to Front Bumper with indicated hardware.



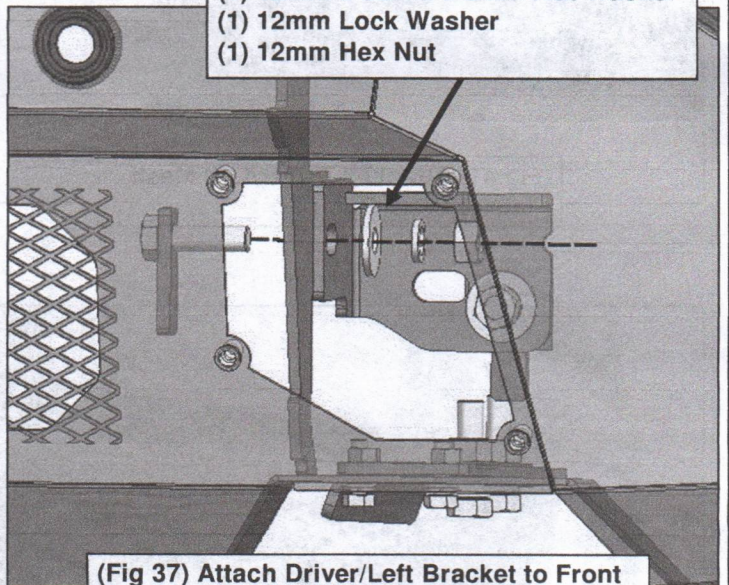
(Fig 36) Attached Passenger/Right Bracket and Bottom Bracket to Front Bumper.

- (2) 8mm x 16mm x 1.6mm Flat Washers
- (2) 8mm Lock Washers
- (2) 8mm x 25mm Hex Bolts

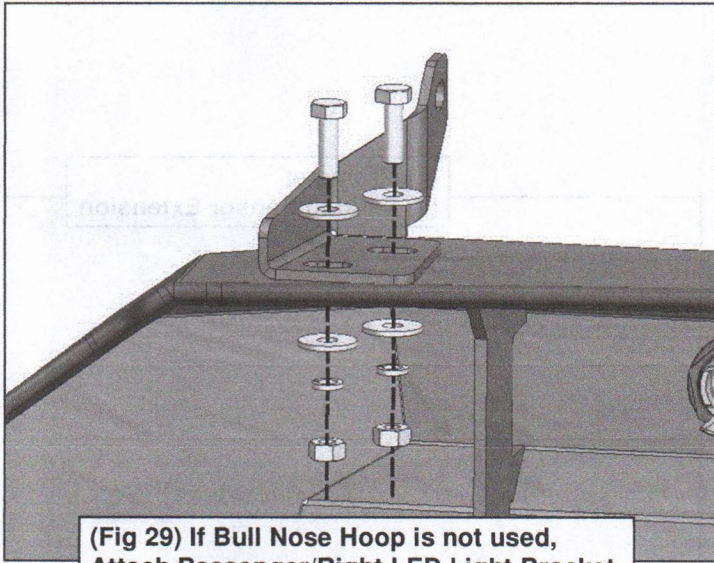


(Fig 38) Attach Driver/Left Bottom Bracket to Front Bumper with indicated hardware.

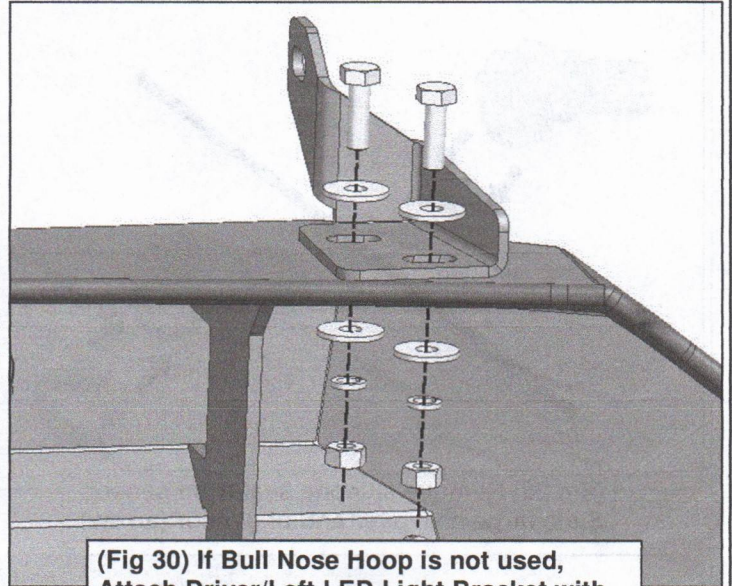
- (1) 12mm Bolt Plate
- (1) 12mm x 32mm x 3mm Flat Washer
- (1) 12mm Lock Washer
- (1) 12mm Hex Nut



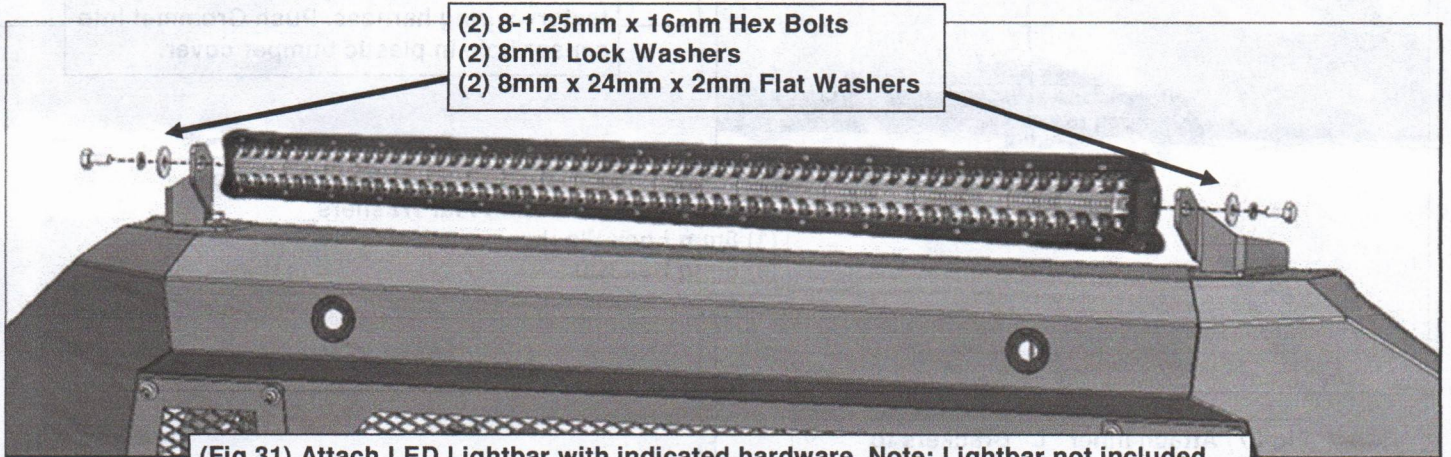
(Fig 37) Attach Driver/Left Bracket to Front Bumper with indicated hardware.



(Fig 29) If Bull Nose Hoop is not used, Attach Passenger/Right LED Light Bracket with Bull Nose Hoop hardware.

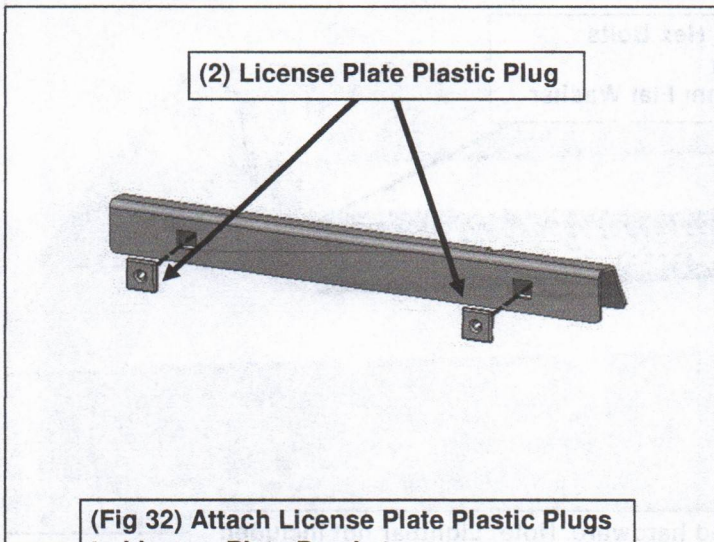


(Fig 30) If Bull Nose Hoop is not used, Attach Driver/Left LED Light Bracket with Bull Nose Hoop hardware.



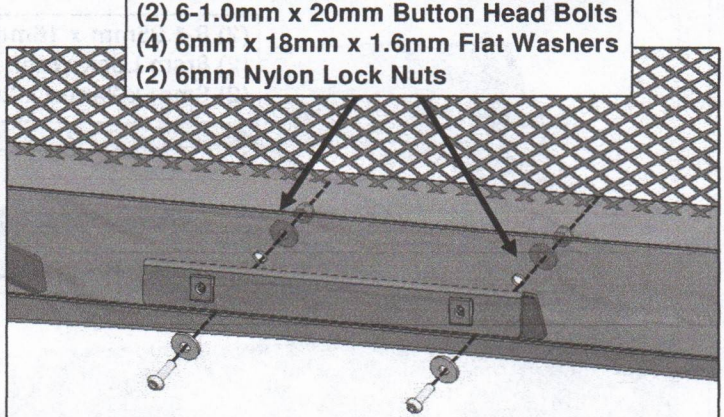
- (2) 8-1.25mm x 16mm Hex Bolts
- (2) 8mm Lock Washers
- (2) 8mm x 24mm x 2mm Flat Washers

(Fig 31) Attach LED Lightbar with indicated hardware. **Note:** Lightbar not included



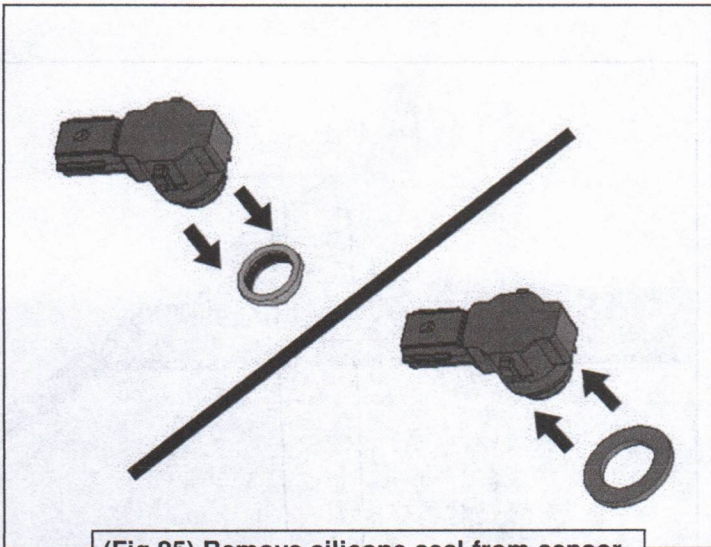
- (2) License Plate Plastic Plug

(Fig 32) Attach License Plate Plastic Plugs to License Plate Bracket.

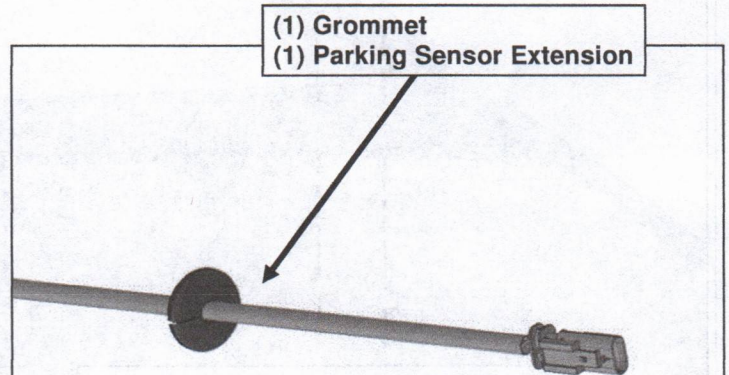


- (2) 6-1.0mm x 20mm Button Head Bolts
- (4) 6mm x 18mm x 1.6mm Flat Washers
- (2) 6mm Nylon Lock Nuts

(Fig 33) Attach License Plate Bracket to CS1 LD Front Bumper with indicated hardware.

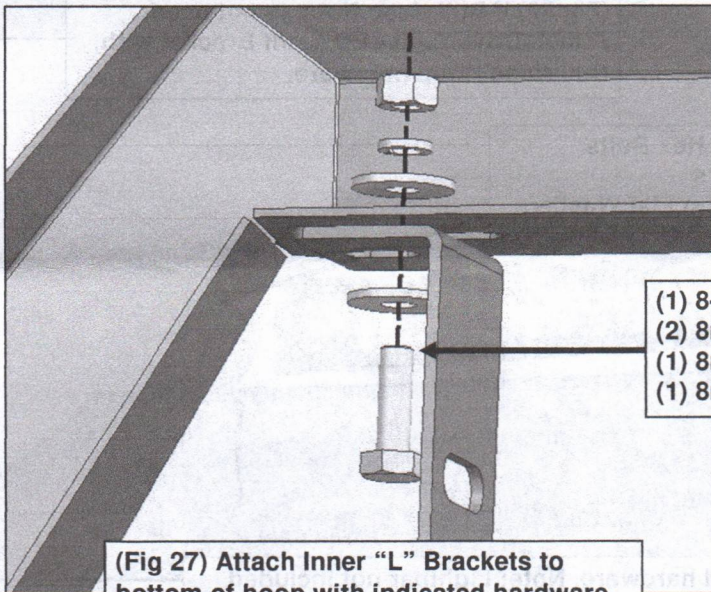


(Fig 25) Remove silicone seal from sensor. Slide large seal over end of sensor (arrow)



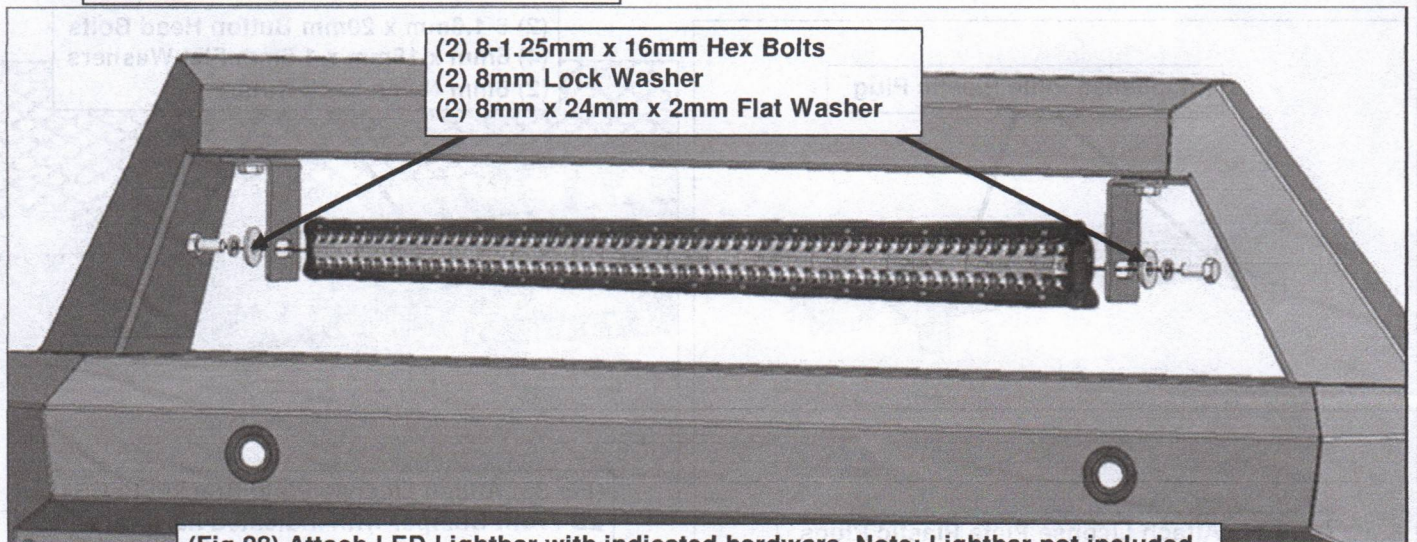
- (1) Grommet
- (1) Parking Sensor Extension

(Fig 26) Slide Grommet onto Parking Sensor Extension. Plug Extension into factory wiring harness. Push Grommet into sensor hole in plastic bumper cover.



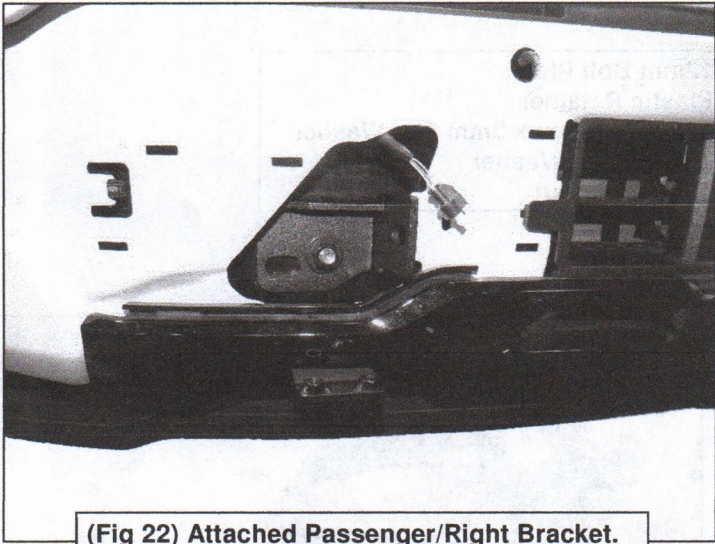
- (1) 8-1.25mm x 25mm Hex Bolts (Stainless Steel)
- (2) 8mm x 24mm x 2mm Flat Washers
- (1) 8mm Lock Washer
- (1) 8mm Hex Nut

(Fig 27) Attach Inner "L" Brackets to bottom of hoop with indicated hardware.

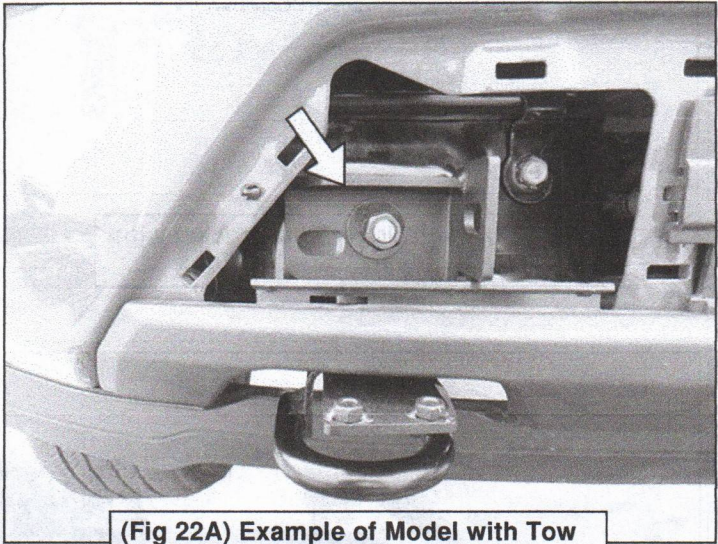


- (2) 8-1.25mm x 16mm Hex Bolts
- (2) 8mm Lock Washer
- (2) 8mm x 24mm x 2mm Flat Washer

(Fig 28) Attach LED Lightbar with indicated hardware. Note: Lightbar not included

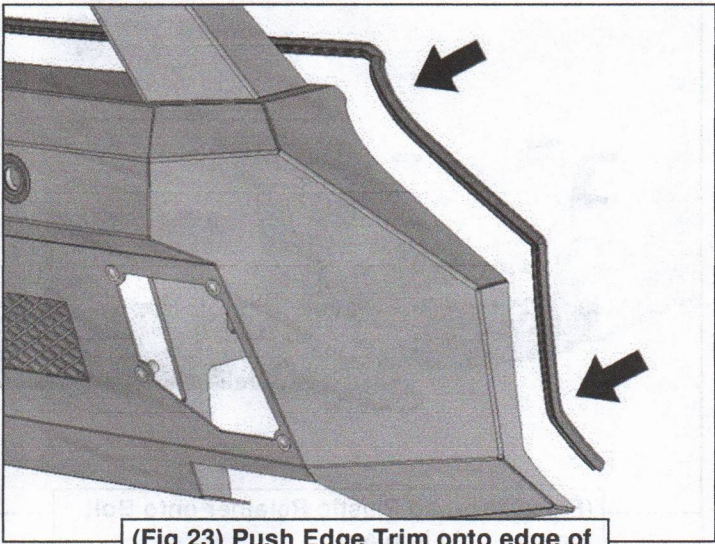


(Fig 22) Attached Passenger/Right Bracket.

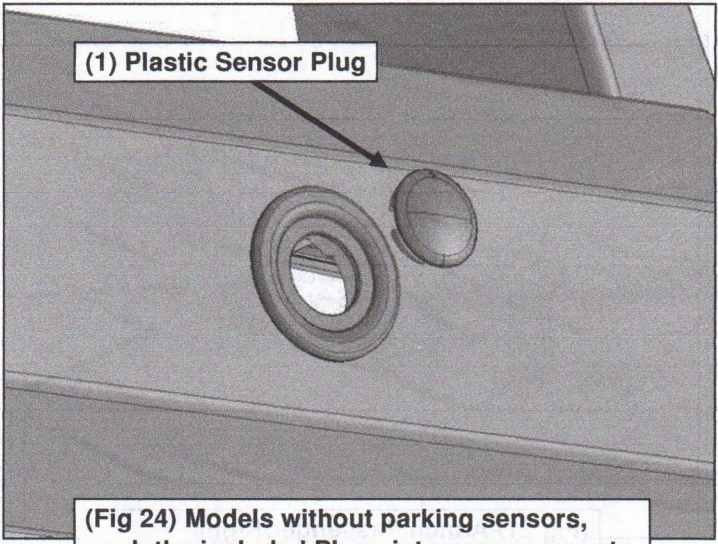


(Fig 22A) Example of Model with Tow hook, Attached Passenger/Right Bracket to Bolt Plate (arrow).

2 Follow (Fig 23 - 43) to prepare Front Bumper for installation, then attach Bumper to Brackets. Ensure Bolts are hand tightened at this point.

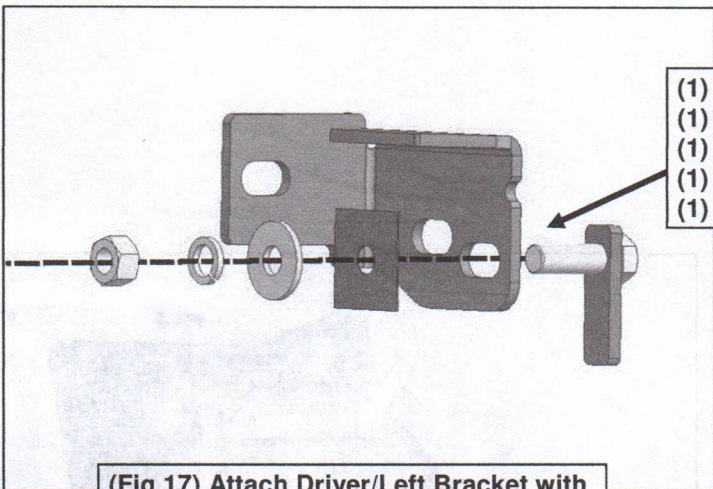


(Fig 23) Push Edge Trim onto edge of CS1 Bumper. Cut to fit Bumper



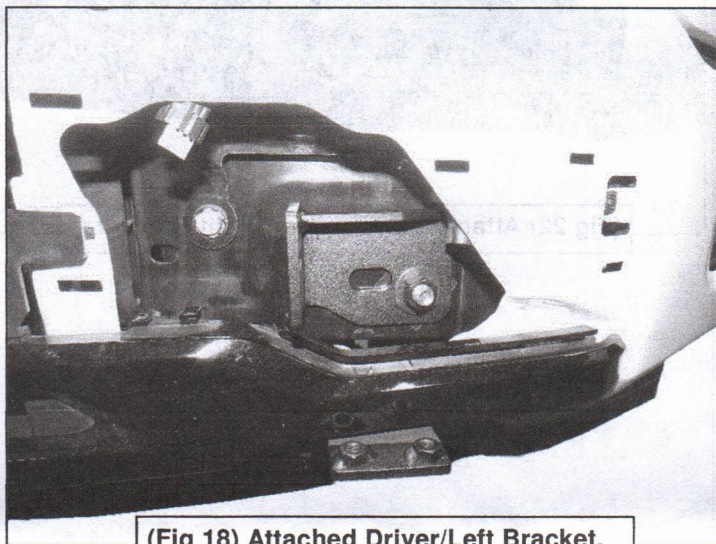
(1) Plastic Sensor Plug

(Fig 24) Models without parking sensors, push the included Plugs into sensor mounts

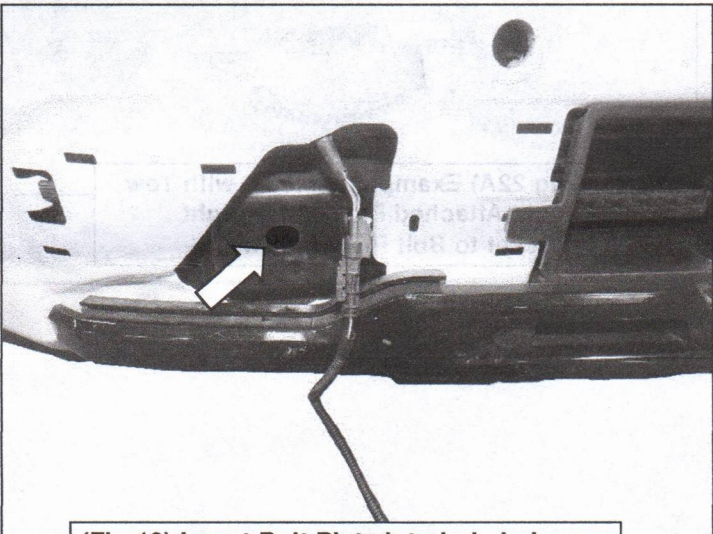


- (1) 12mm Bolt Plate
- (1) Plastic Retainer
- (1) 12mm x 32mm x 3mm Flat Washer
- (1) 12mm Lock Washer
- (1) 12mm Hex Nut

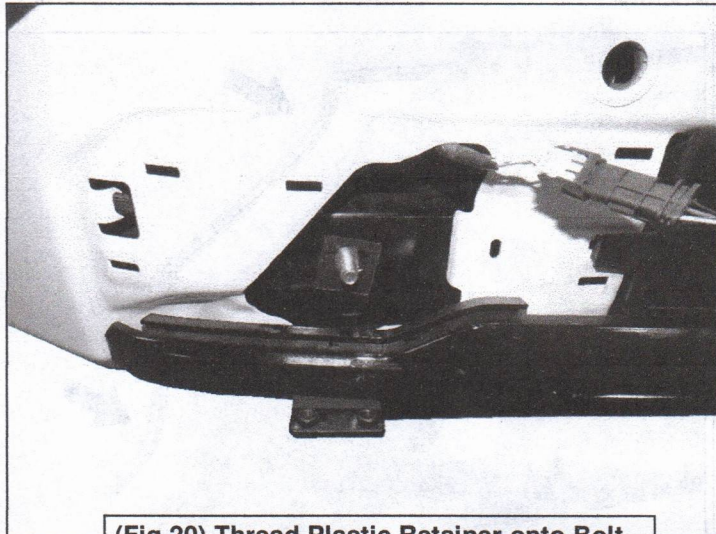
(Fig 17) Attach Driver/Left Bracket with indicated hardware.



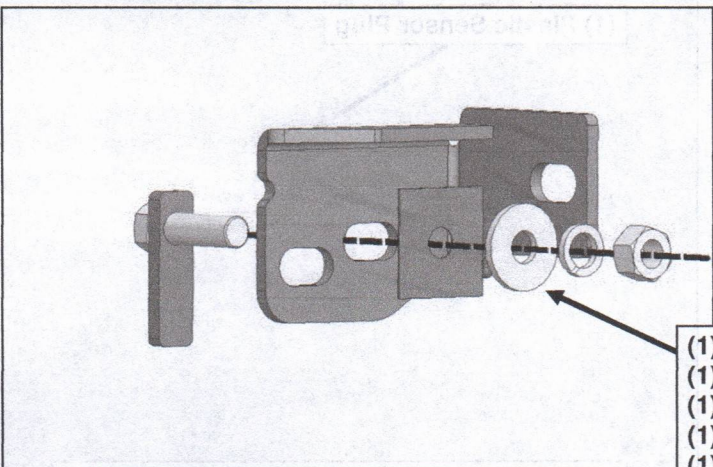
(Fig 18) Attached Driver/Left Bracket.



(Fig 19) Insert Bolt Plate into hole in inner bumper bracket.

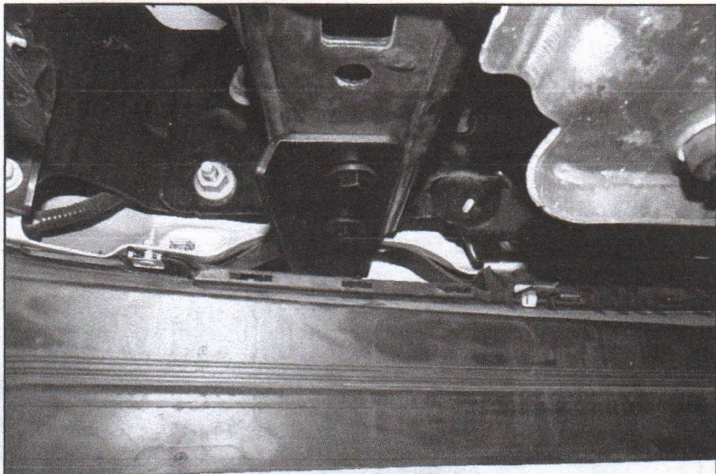


(Fig 20) Thread Plastic Retainer onto Bolt Plate to hold in place.

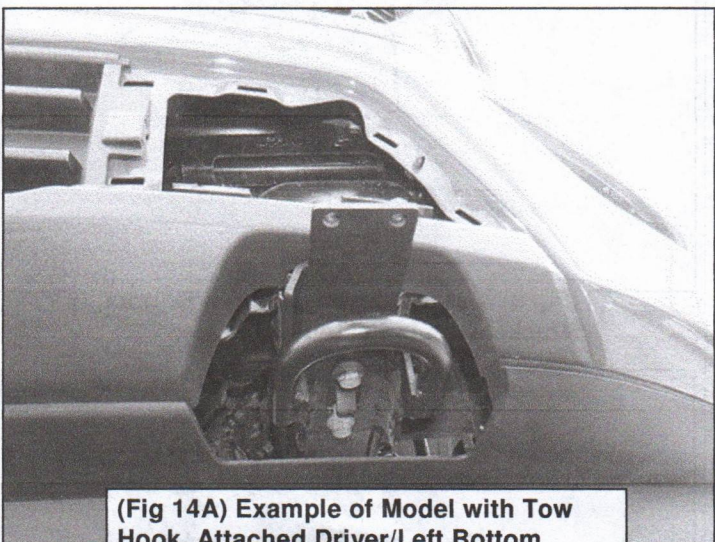


- (1) 12mm Bolt Plate
- (1) Plastic Retainer
- (1) 12mm x 32mm x 3mm Flat Washer
- (1) 12mm Lock Washer
- (1) 12mm Hex Nut

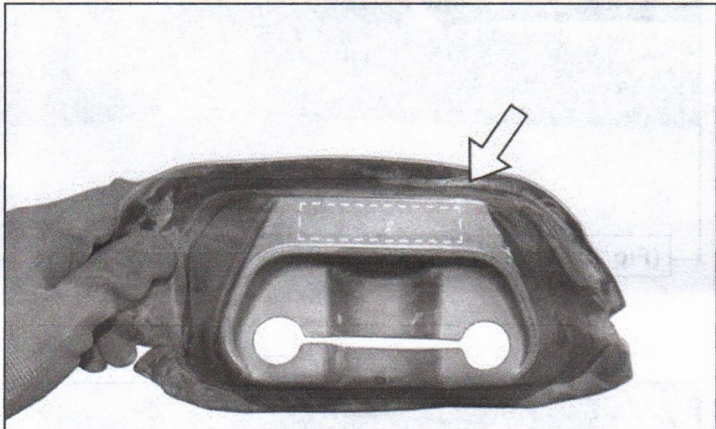
(Fig 21) Attach Passenger/Right Bracket with indicated hardware.



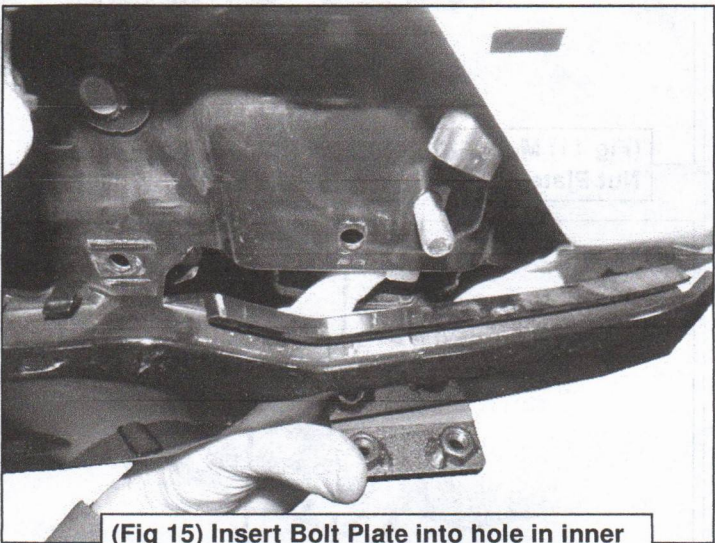
(Fig 14) Attached Driver/Left Bottom Bracket.



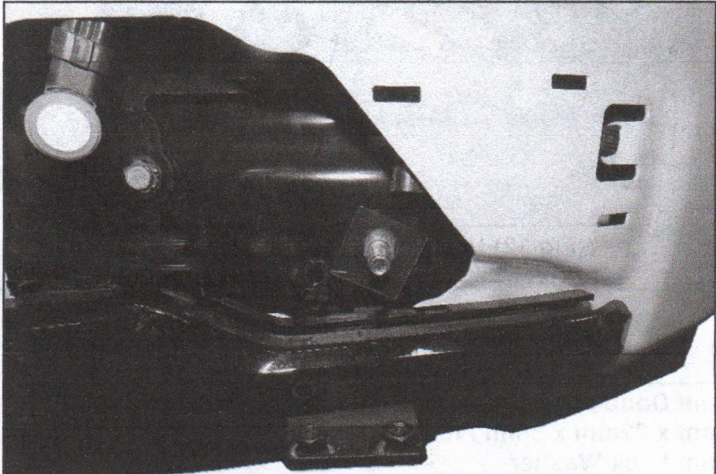
(Fig 14A) Example of Model with Tow Hook, Attached Driver/Left Bottom Bracket to bottom of frame, between tow hook and frame. Reuse factory hardware.



(Fig 14B) Model with Tow Hooks, Rubber seal must be cut to clear the Bottom Bracket, (arrow).
Note: Reinstallation optional

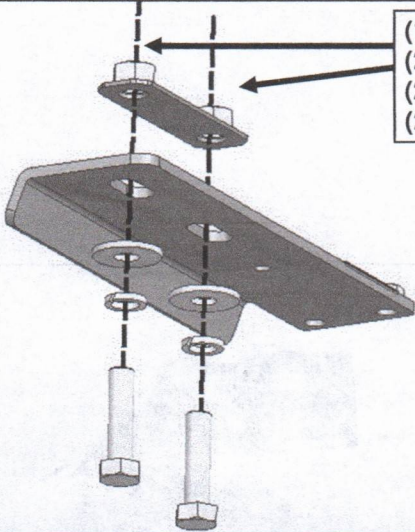


(Fig 15) Insert Bolt Plate into hole in inner bumper bracket.

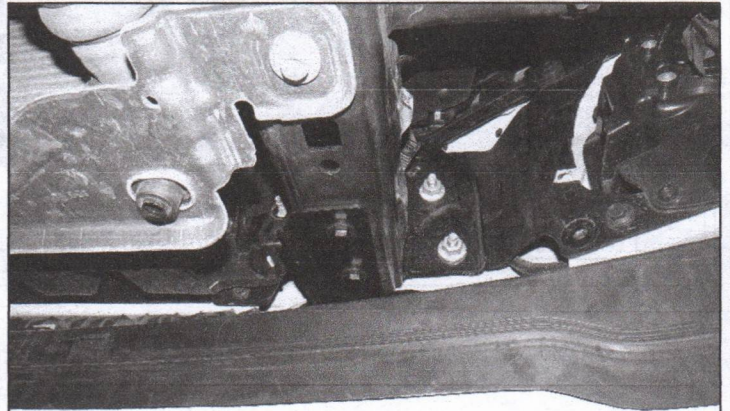


(Fig 16) Thread Plastic Retainer onto Bolt Plate to hold in place.

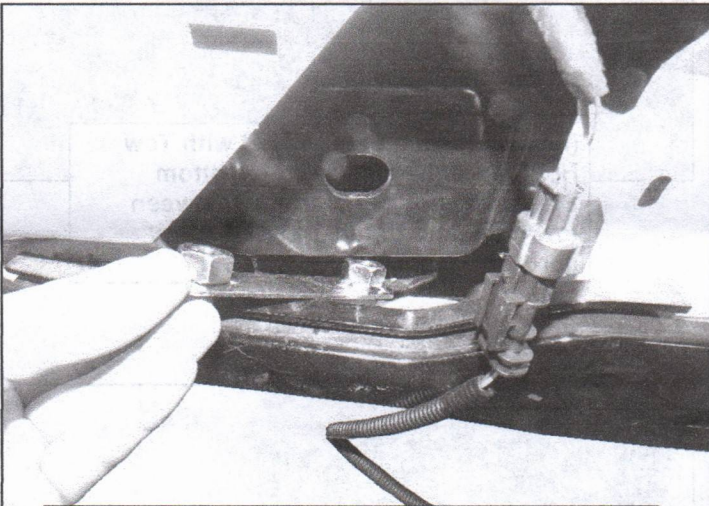
- (1) 12mm Double Nut Plate
- (2) 12mm x 32mm x 3mm Flat Washers
- (2) 12mm Lock Washers
- (2) 12-1.75mm x 45mm Hex Bolts



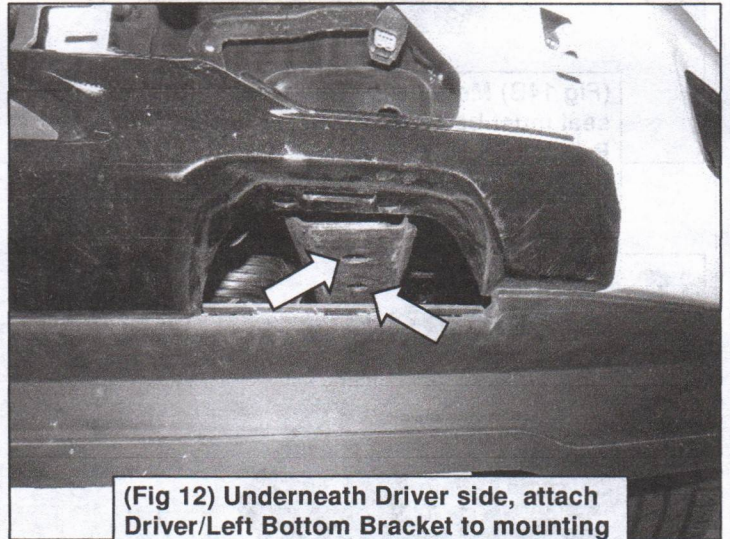
(Fig 9) Attach Passenger/Right Bottom Bracket with indicated hardware.



(Fig 10) Attached Passenger/Right Bottom Bracket.

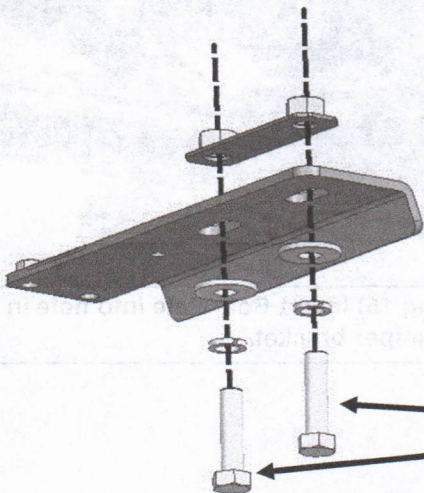


(Fig 11) Model without Tow Hooks, Slide Double Nut Plate to attach Driver/Left Bottom Bracket.

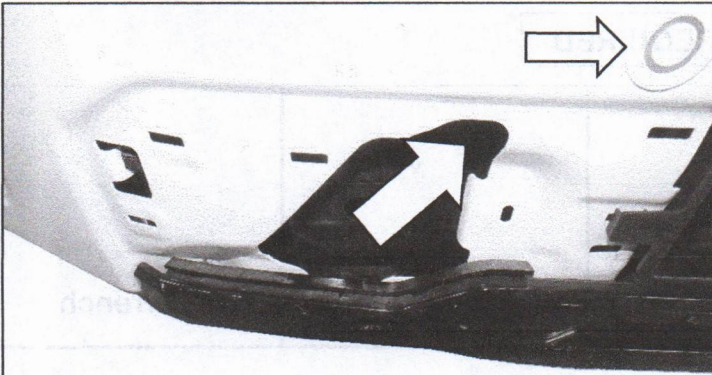


(Fig 12) Underneath Driver side, attach Driver/Left Bottom Bracket to mounting points.

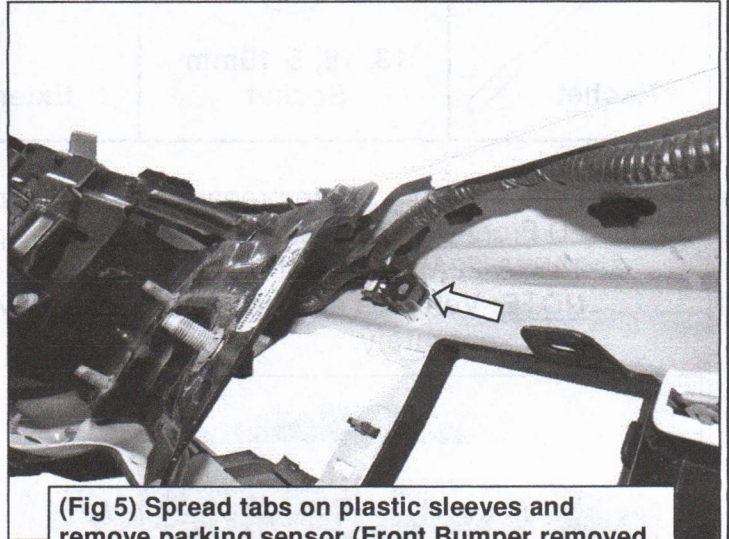
- (1) 12mm Double Nut Plate
- (2) 12mm x 32mm x 3mm Flat Washers
- (2) 12mm Lock Washer
- (2) 12-1.75mm x 45mm Hex Bolts



(Fig 13) Attach Driver/Left Bottom Bracket with indicated hardware.



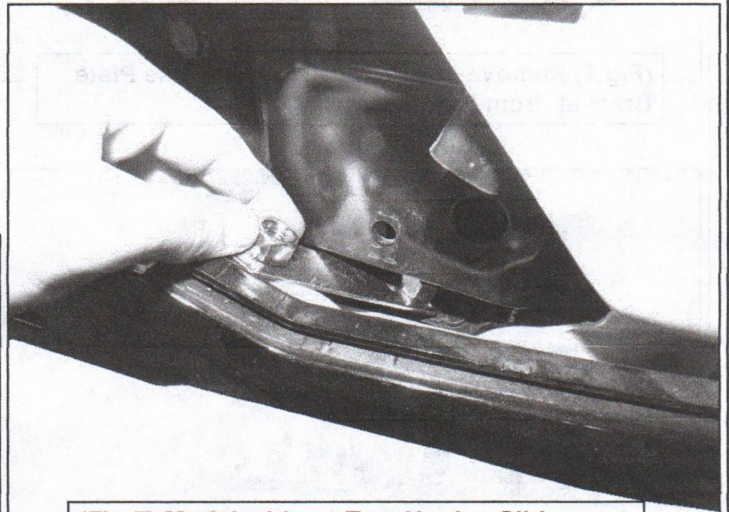
(Fig 4) Vehicles with front parking sensors, reach inside the front bumper and remove the inner sensors from the plastic sleeves.



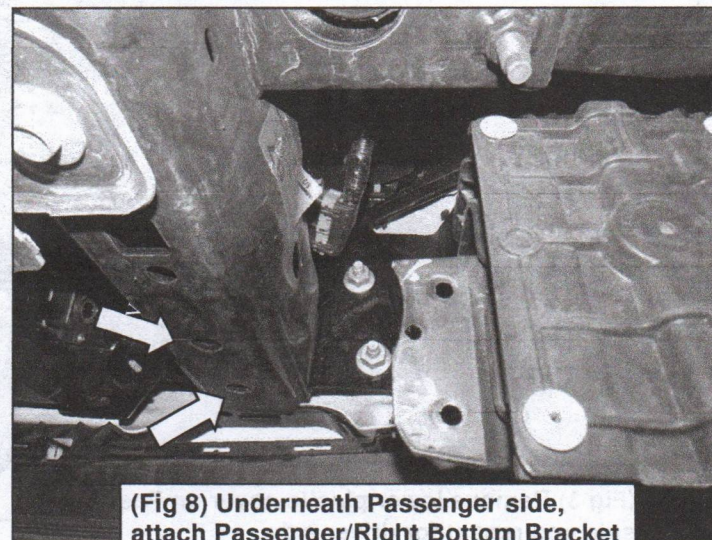
(Fig 5) Spread tabs on plastic sleeves and remove parking sensor (Front Bumper removed for illustrative purpose only)



(Fig 6) Front Bumper with sensors detached from mounting points.



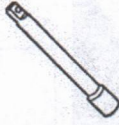

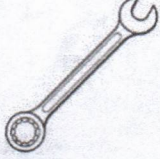


(Fig 7) Model without Tow Hooks, Slide Double Nut Plate to attach Passenger/Right Bottom Bracket.



(Fig 8) Underneath Passenger side, attach Passenger/Right Bottom Bracket to mounting points.

TOOLS REQUIRED

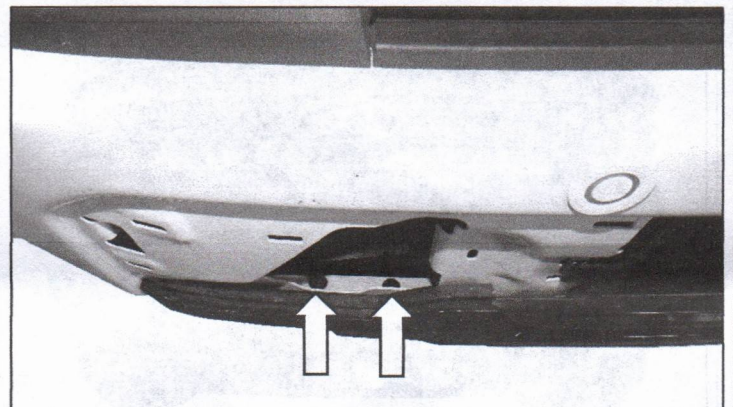
 Ratchet	 13, 18, & 19mm Socket	 Extensions	 Allen Wrench	 Wrench
---	---	--	--	--

1 Follow (Fig 1 – 22) to prepare factory bumper and detach sensors to prepare vehicle for CS1 LD Front Bumper installation. Models equipped with tow hooks should refer to (Fig 2A, 14A, 14B, & 22A) for further details.

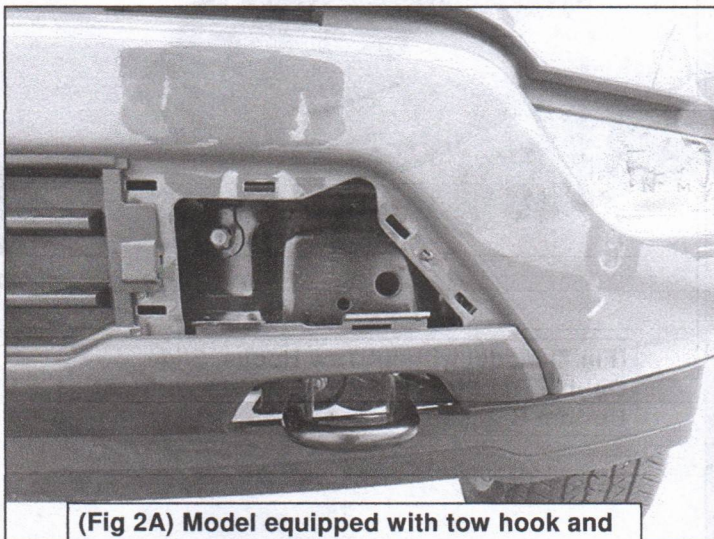
NOTE: Vehicles equipped with Adaptive Cruise Control require a sensor relocation kit, sold separately.



(Fig 1) Remove plastic cover and License Plate Bracket from Front Bumper.



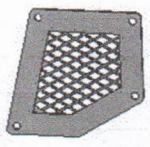
(Fig 2) Model without tow hook, remove top screws to detach lower plastic cover on Passenger side Front Bumper. Repeat for Driver side.



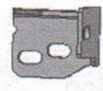
(Fig 2A) Model equipped with tow hook and runner seal, remove from bumper.



(Fig 3) Remove lower plastic cover on Passenger side and repeat for driver side.



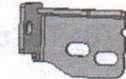
Passenger/
Right Mesh
Plate



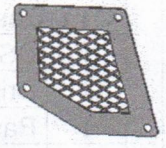
Passenger/Right
Mounting Bracket



License Plate Bracket



Driver/Left
Mounting Bracket



Driver/Left
Mesh Plate



Passenger/Right
Bottom Bracket



Driver/Left
Bottom Bracket



Parking Sensor Extension



Grommet



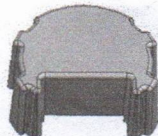
Plastic Plug for
License Plate
Mount



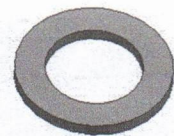
Sensor
Cover Kit



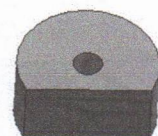
Plastic
Plug



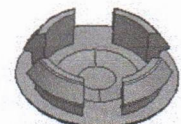
Sensor
Retaining Cap



Foam
Washer



Retaining
Cap



Plastic
Sensor Plug



Lock
Washer



Flat
Washer



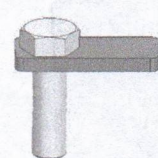
Plastic
Retainer



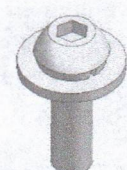
Hex Nut



Nylon Lock
Nut



Single Bolt Plate



Button Head
Combo Bolt



Double Nut Plate



Hex Bolt



Button Head
Allen Bolt

Installation Instructions

PARTS LIST: T636978; T636979

QTY	Description	QTY	Description
1	CS1 LD Front Bumper Assembly	1	Rubber Strip
1	Driver/Left Mounting Bracket	1	Sensor Cover Kit
1	Passenger/Right Mounting Bracket	4	4mm x 15mm Self Tapping Screws
1	Driver/Left Bottom Bracket	8	6mm Button Head Combo Bolts
1	Passenger/Right Bottom Bracket	2	6mm Nylon Lock Nut
1	Driver/Left LED Light Bracket	4	6mm x 18mm x 1.6mm Flat Washers
1	Passenger/Right LED Light Bracket	2	6-1.0mm x 20mm Button Head Bolts
1	Driver/Left Mesh Plate	2	8-1.25mm x 16mm Hex Bolts
1	Passenger/Right Mesh Plate	2	8-1.25mm x 25mm Hex Bolts (Stainless steel)
2	Plastic Plug for License Plate Mount	4	8-1.25mm x 25mm Hex Bolts
2	Inner "L" Brackets for mesh or light	6	8mm x 24mm x 2mm Flat Washers
2	Plastic Retainers	4	8mm x 16mm x 1.6mm Flat Washers
2	Double Nut Plates	2	8mm Hex Nuts
4	Plastic Plugs	4	8mm Lock Washers (Stainless steel)
1	License Plate Bracket	4	8mm Lock Washers
2	Parking Sensor Extensions	4	12-1.75mm x 45mm Hex Bolts
2	Plastic Sensor Plug	4	12mm Hex Nuts
2	Grommet (OD35mm, ID9mm)	8	12mm x 32mm x 3mm Flat Washers
2	Retaining Cap (PP)	4	12mm Bolt Plates
2	Sensor Retaining Caps	8	12mm Lock Washers
2	15.5mm x 25mm x 2mm Foam Washers	1	S=4 Allen Wrench
10	2.75mm x 1mm x 200mm Nylon Wire Ties		

